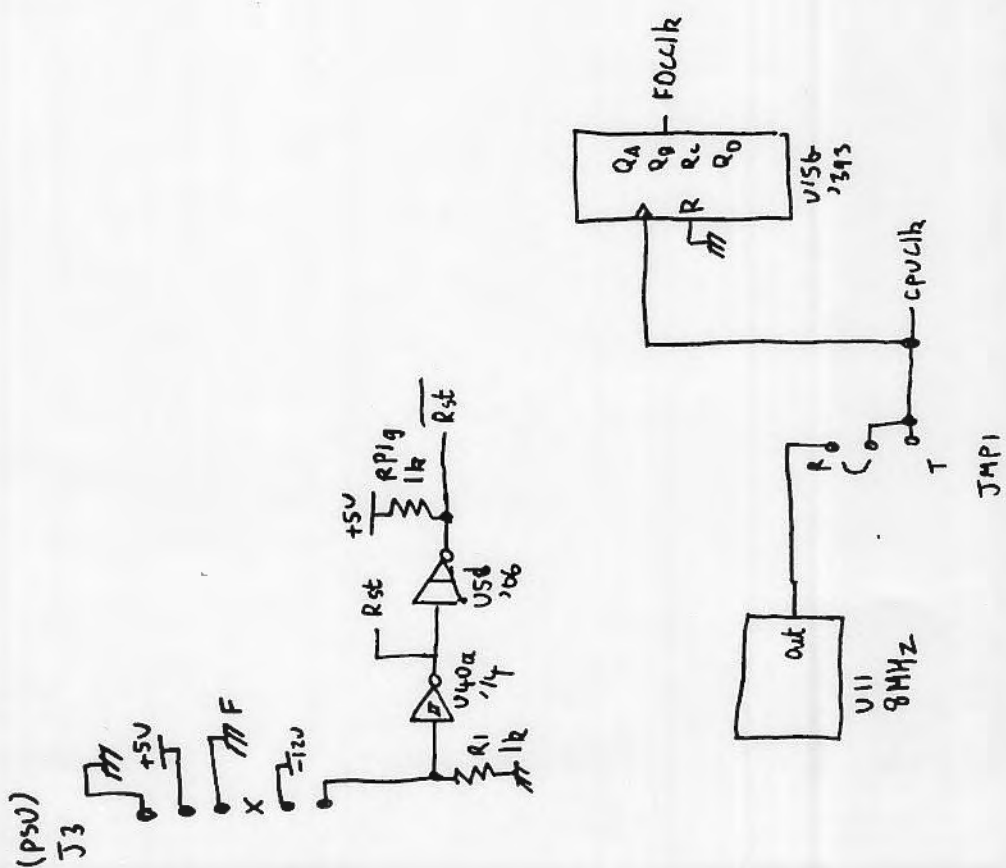
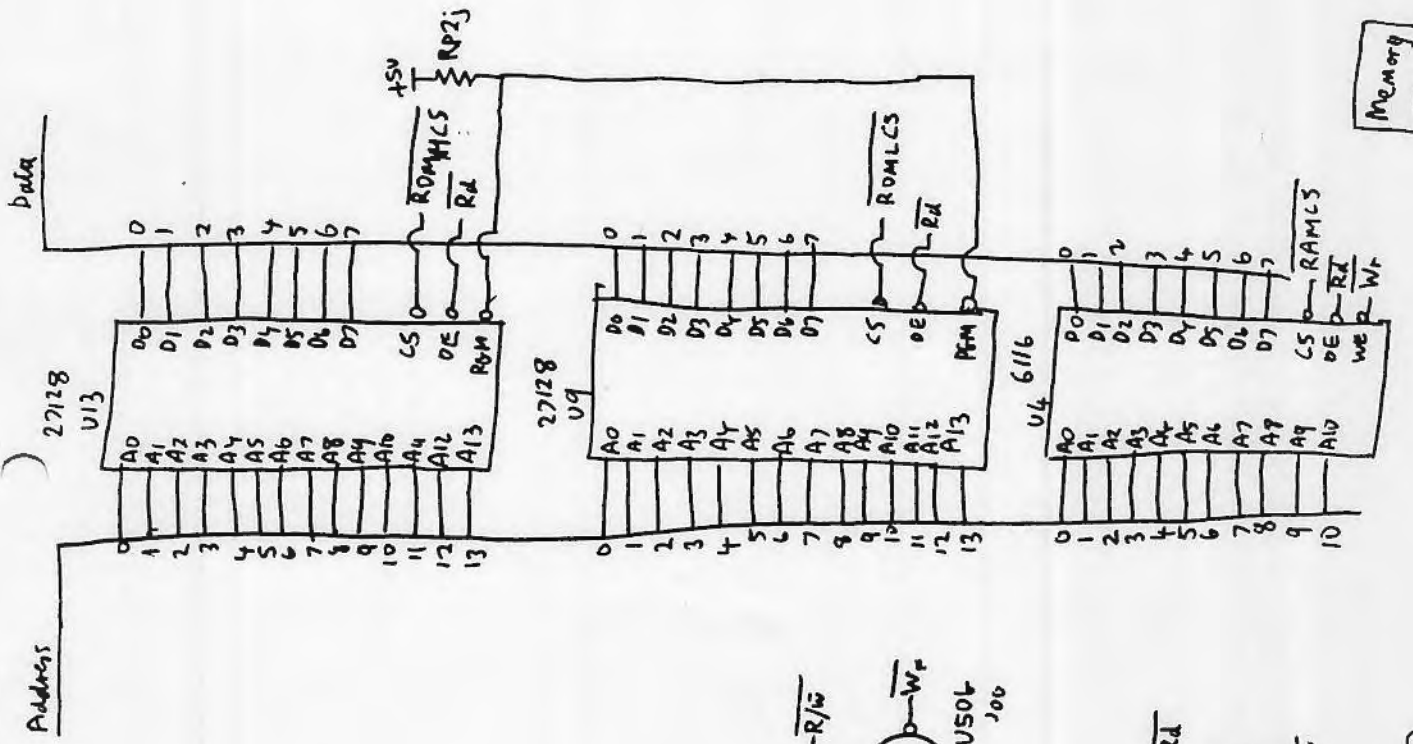


CPU

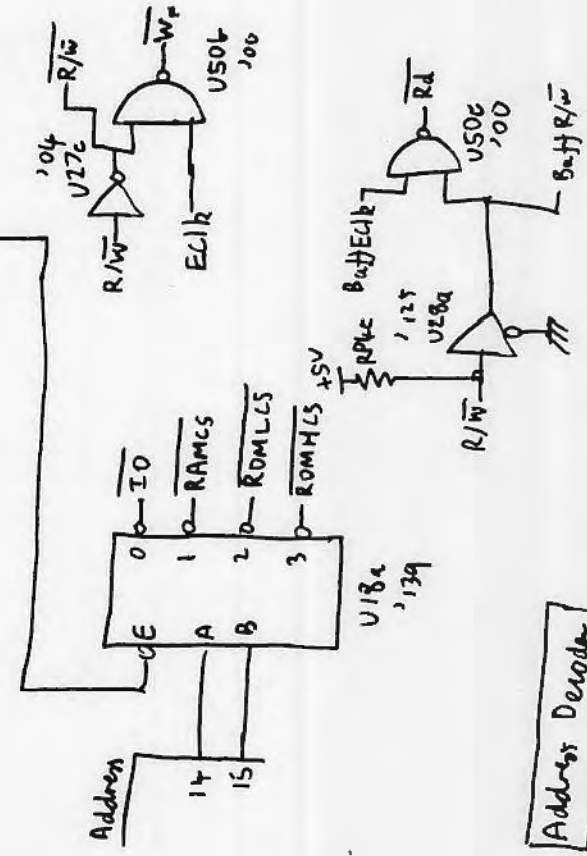
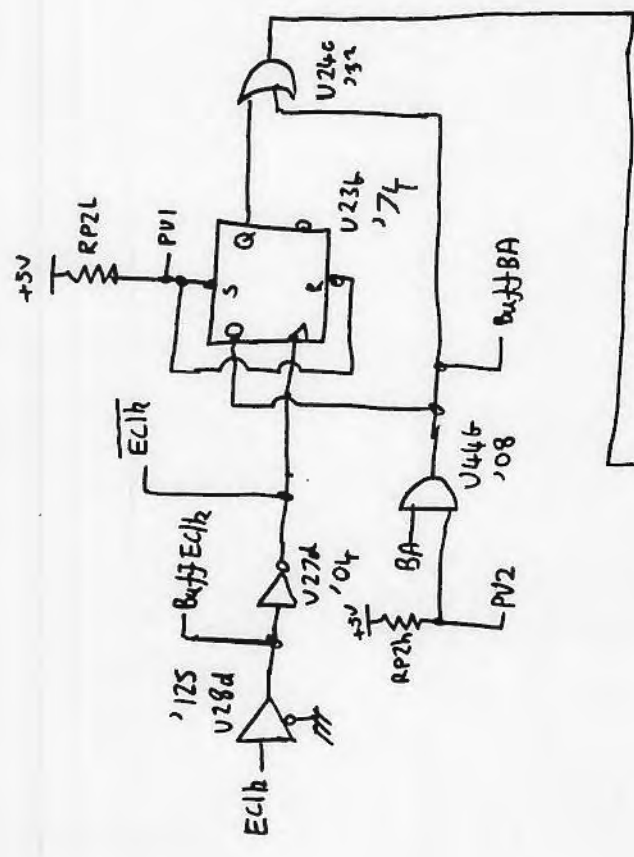


clock

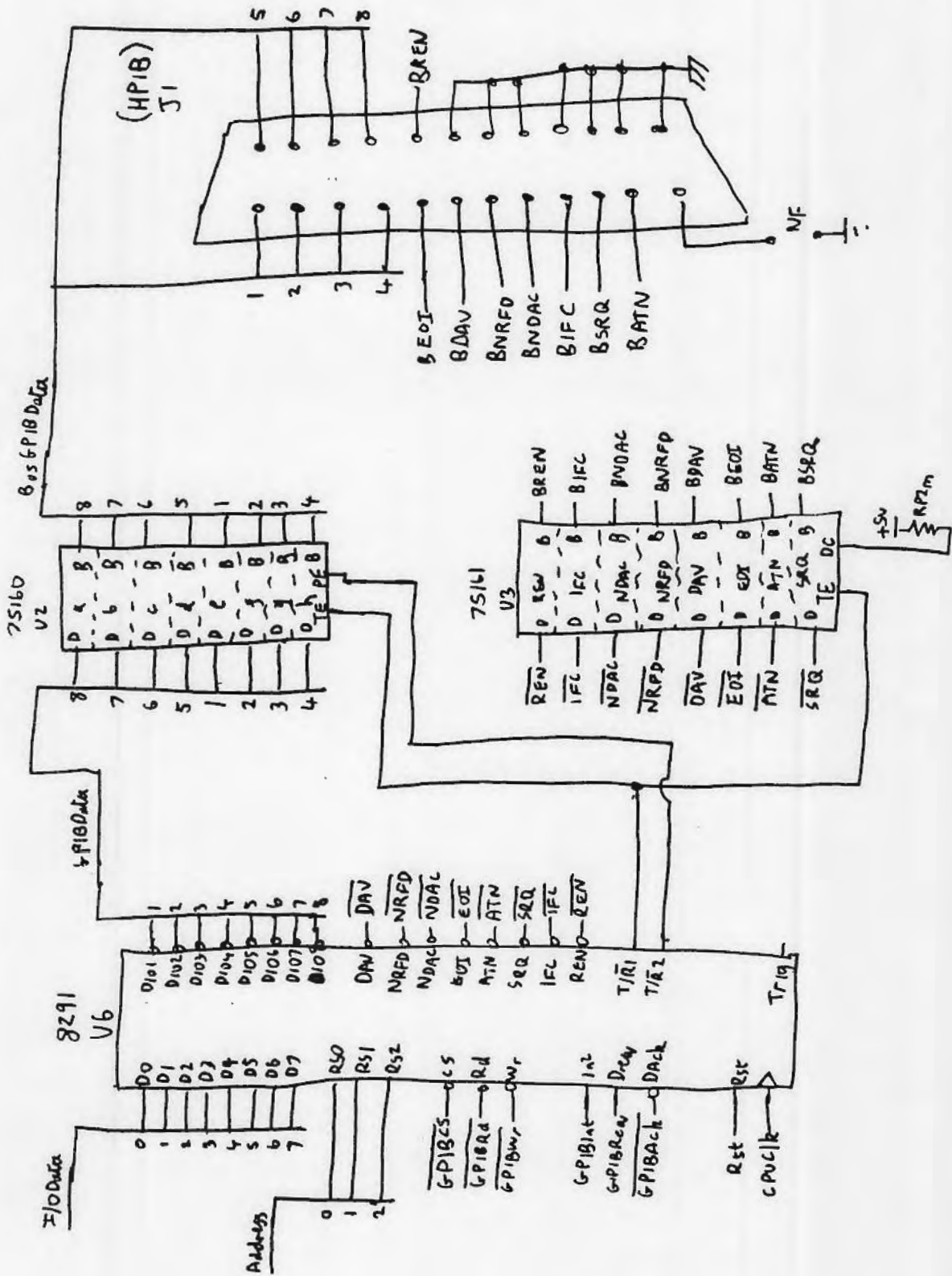
MP9133 Controller sheet (1)



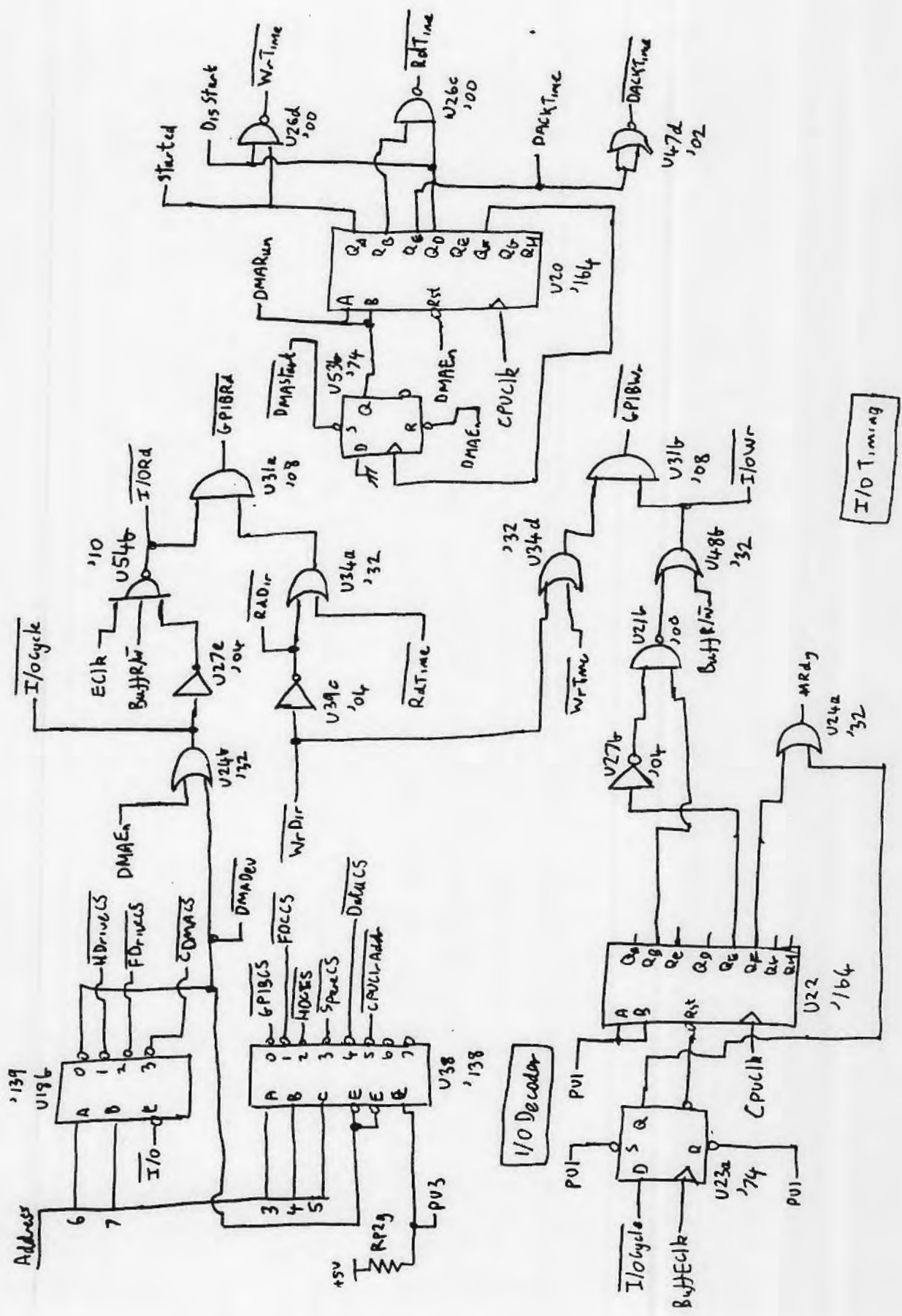
Memory



Address Decoder

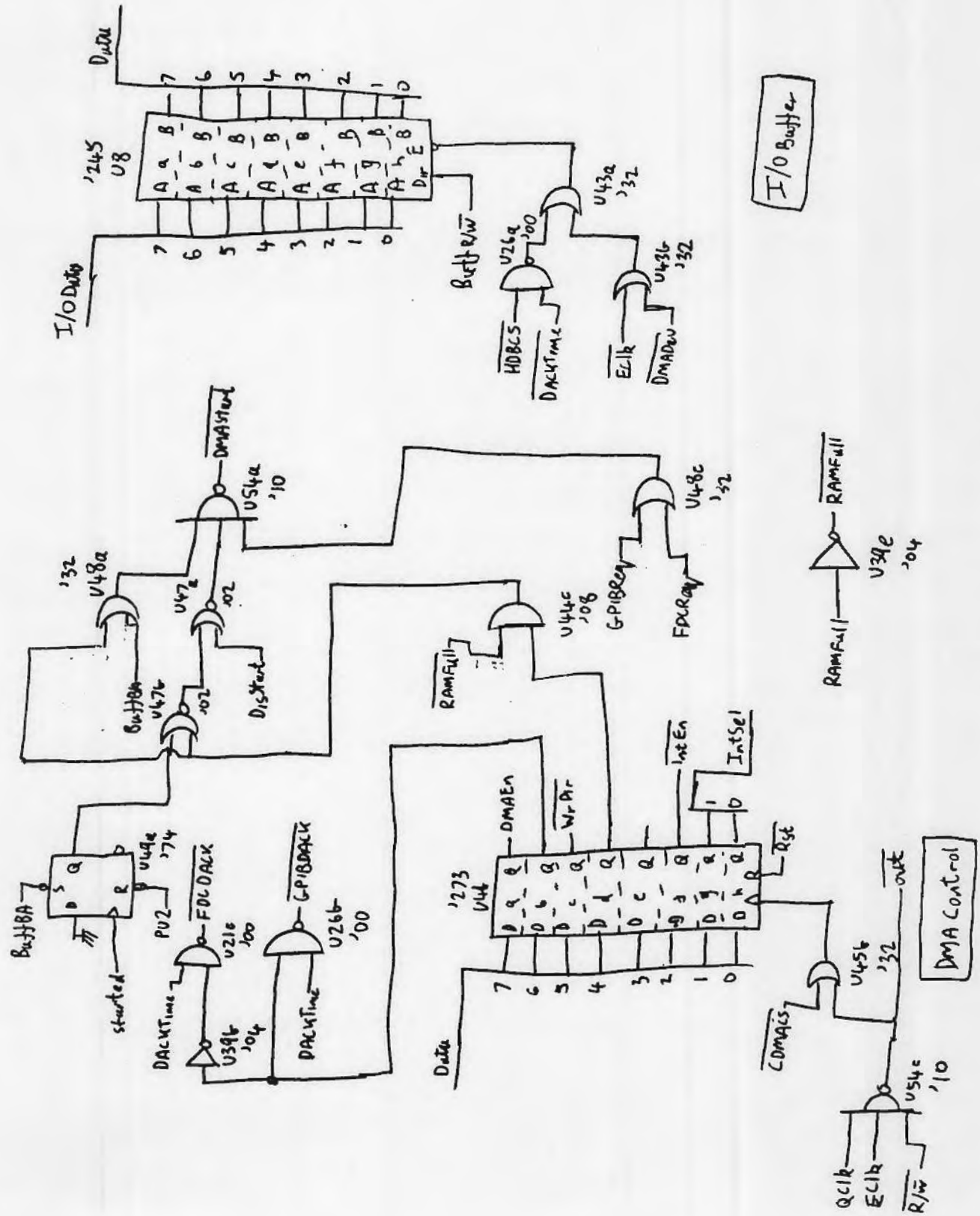


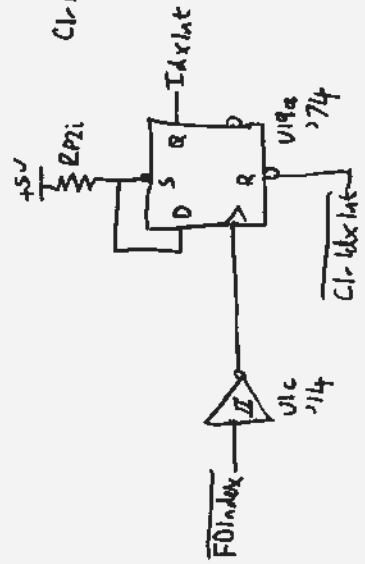
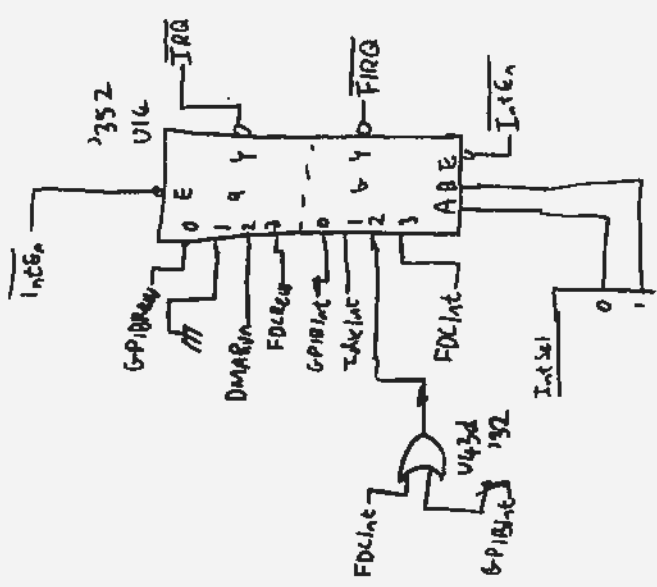
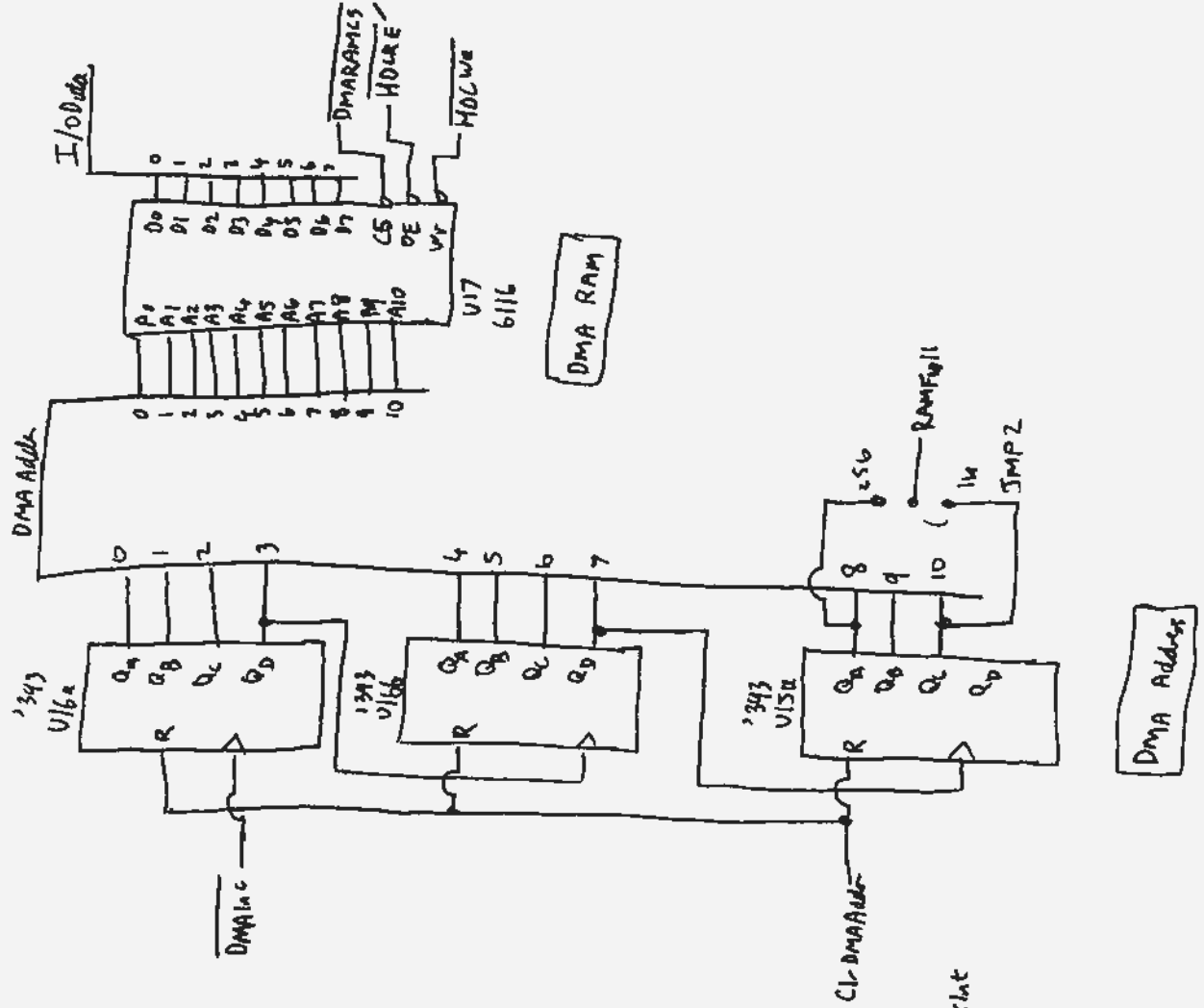
HP1B Port

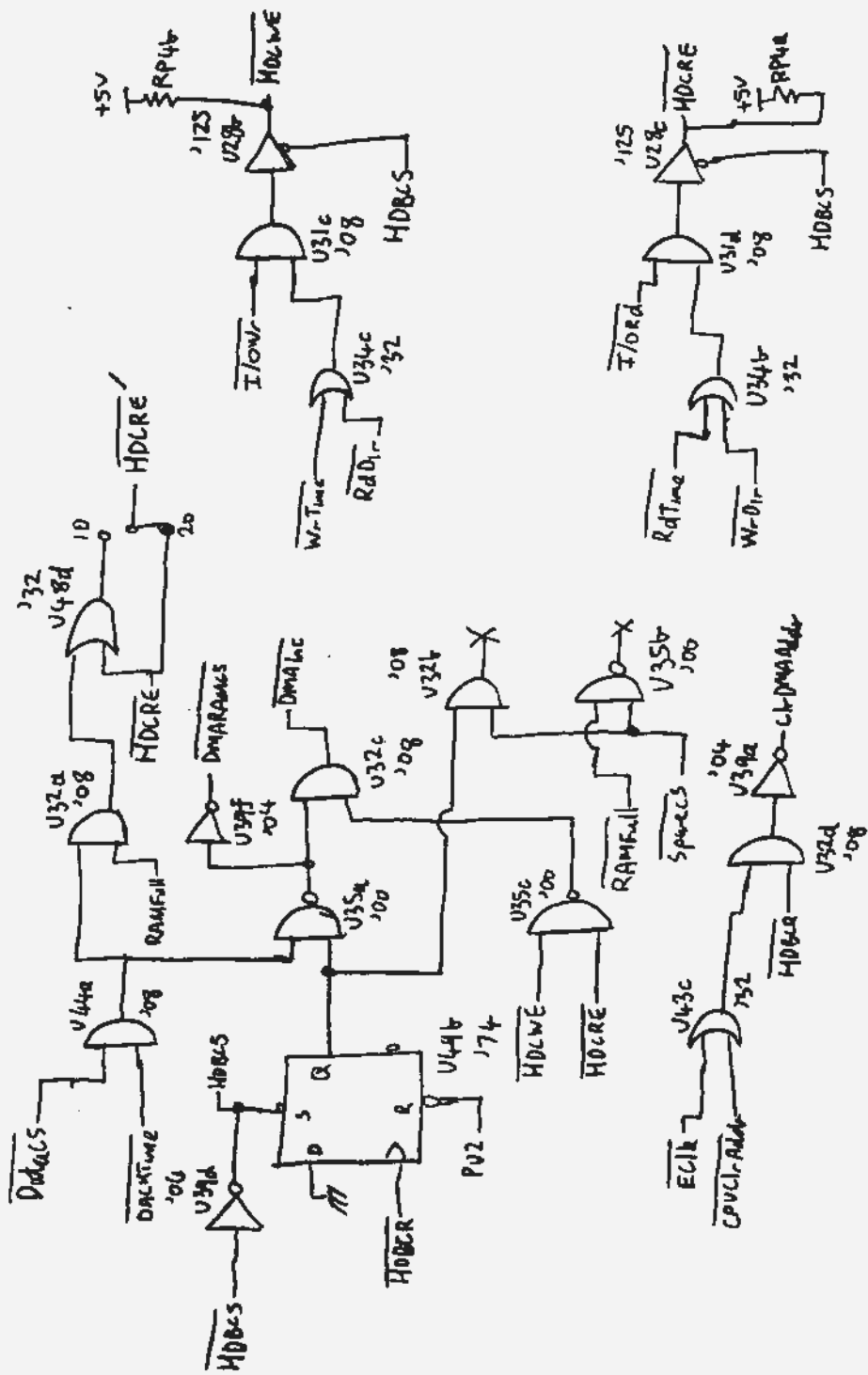


I/O Timing

MP9133 Controller Slot (4)

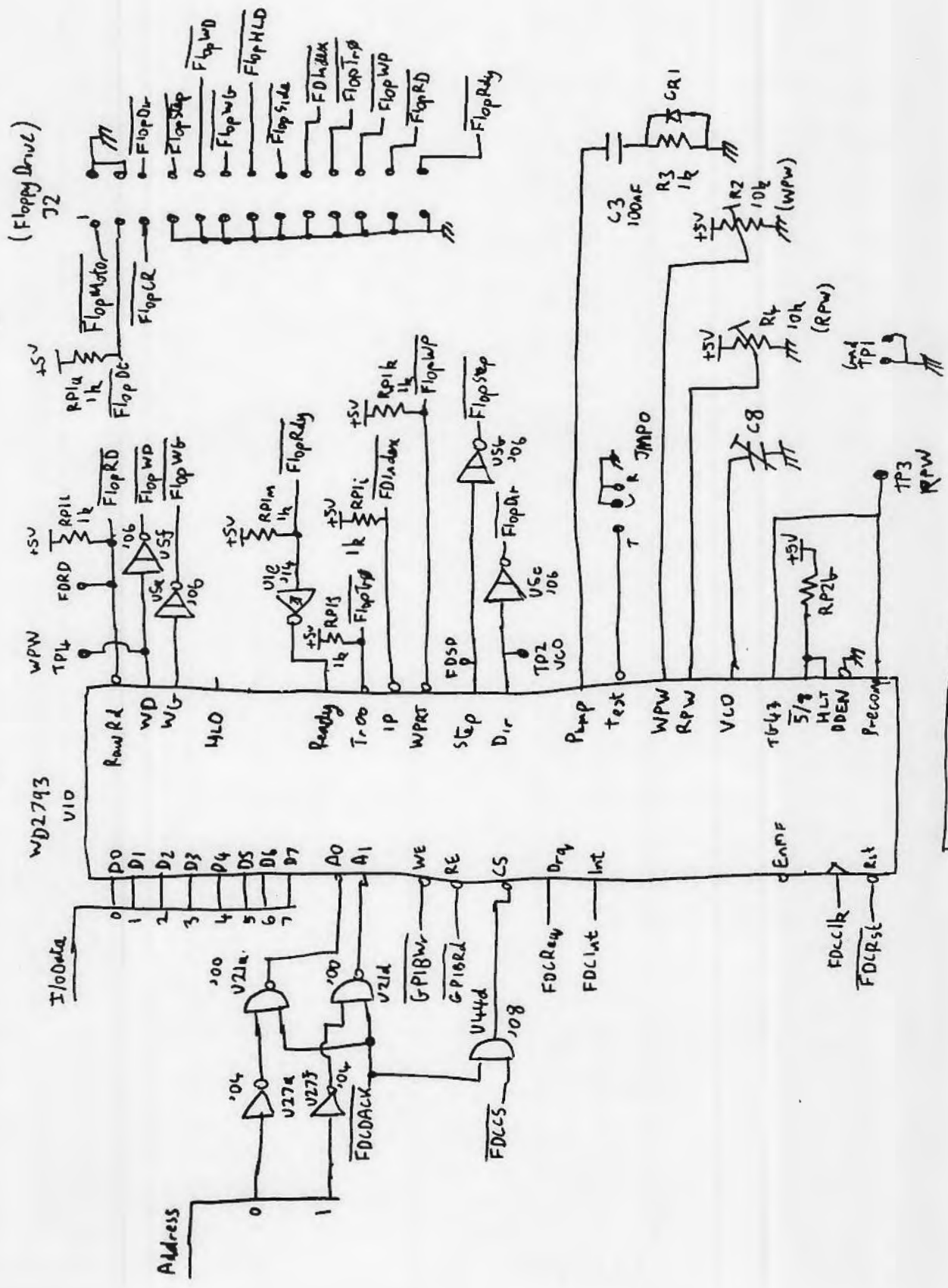






DMA Address Control

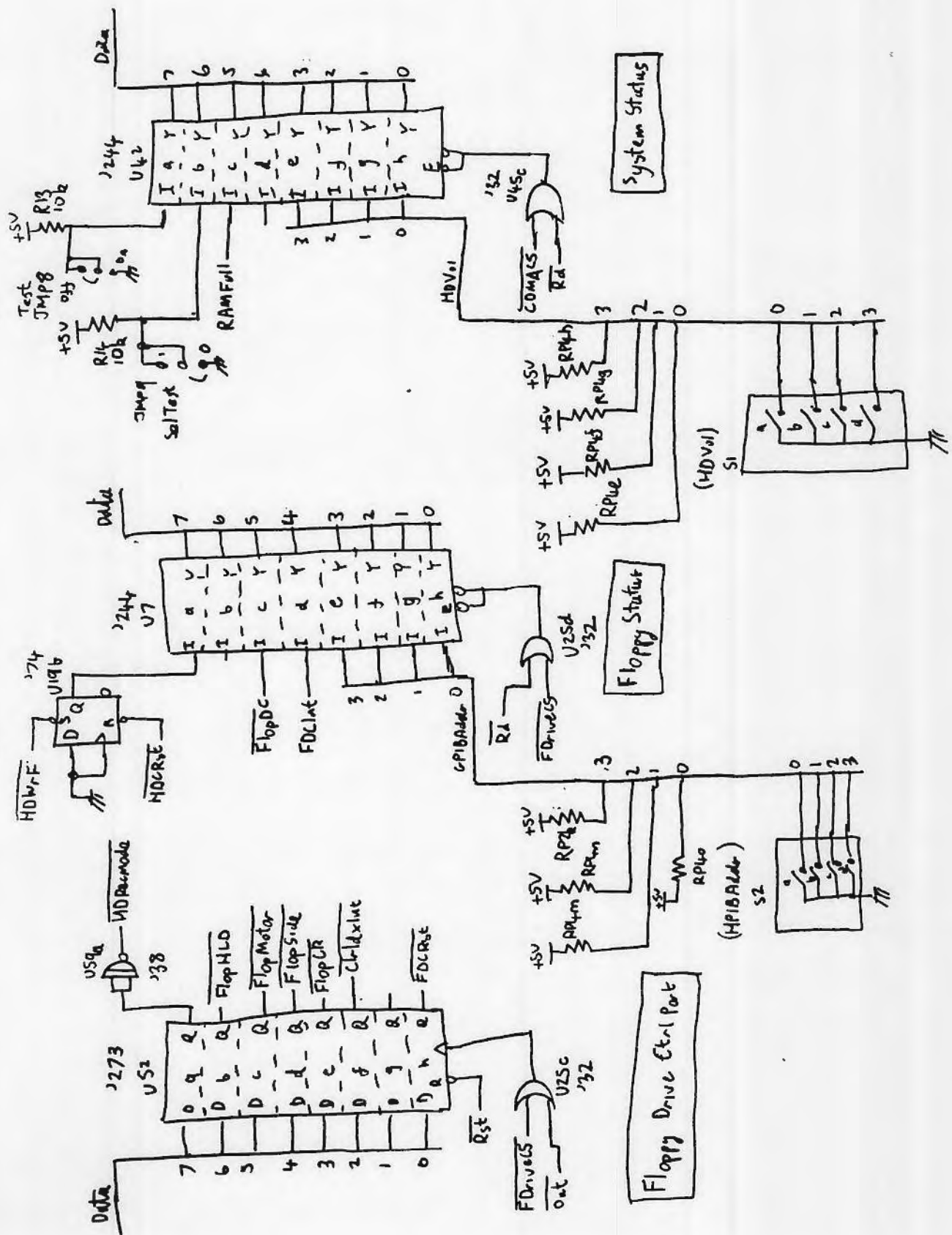
DMA RAM Control

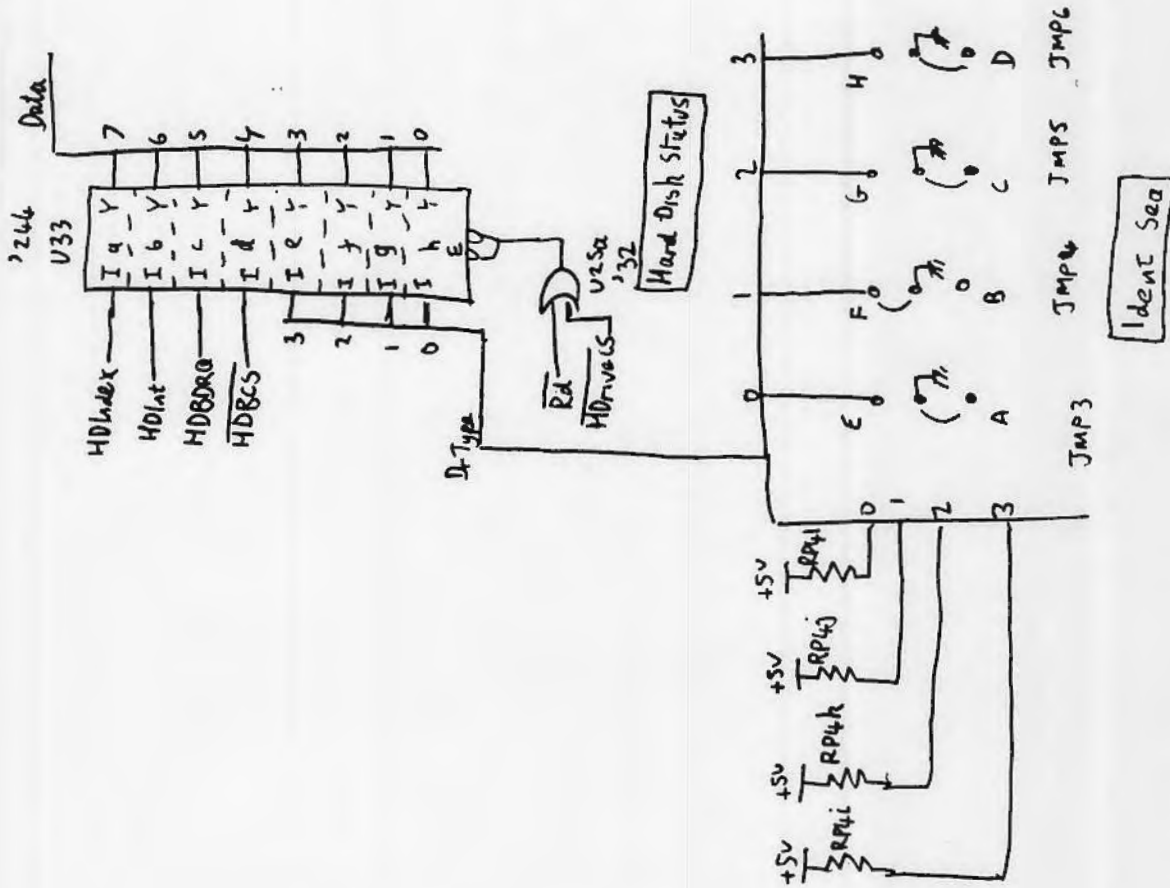
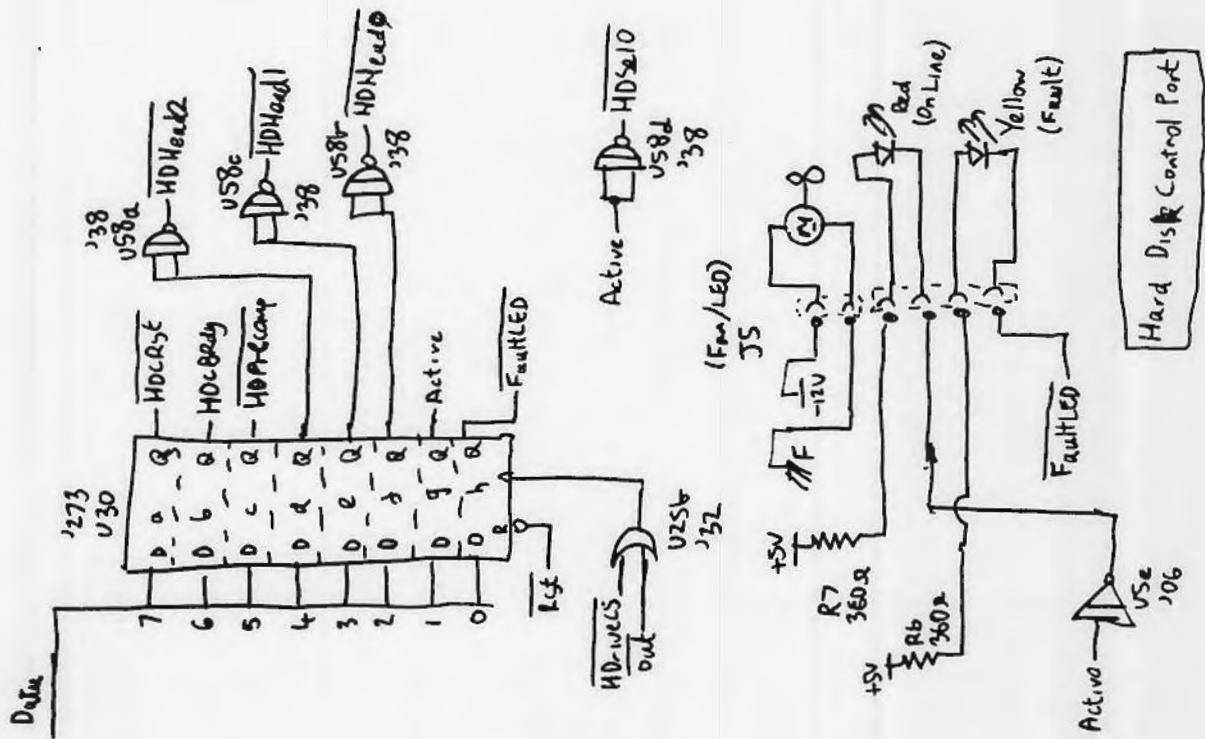


Floppy Disk Controller

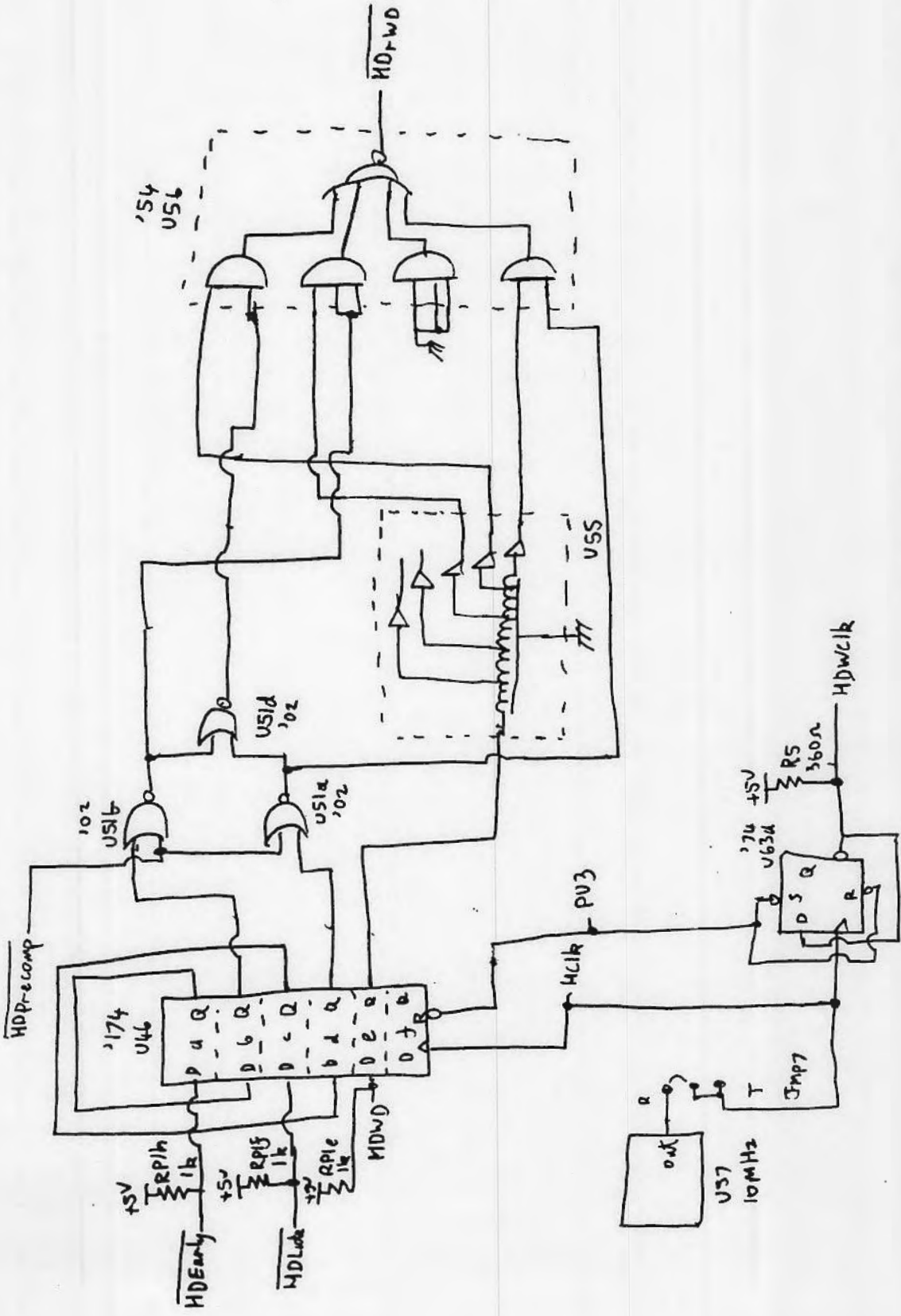
HP9133 controller Slot 8



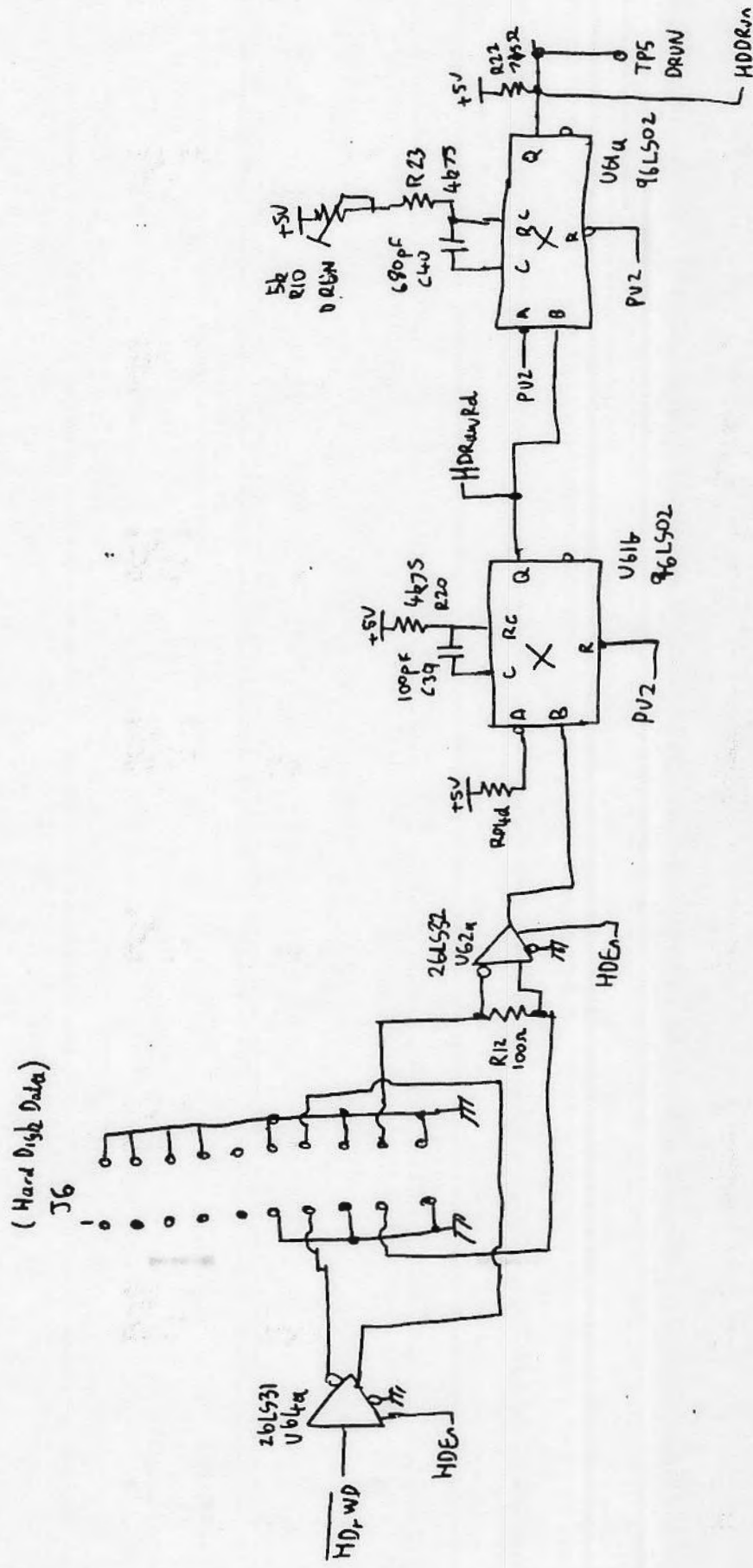




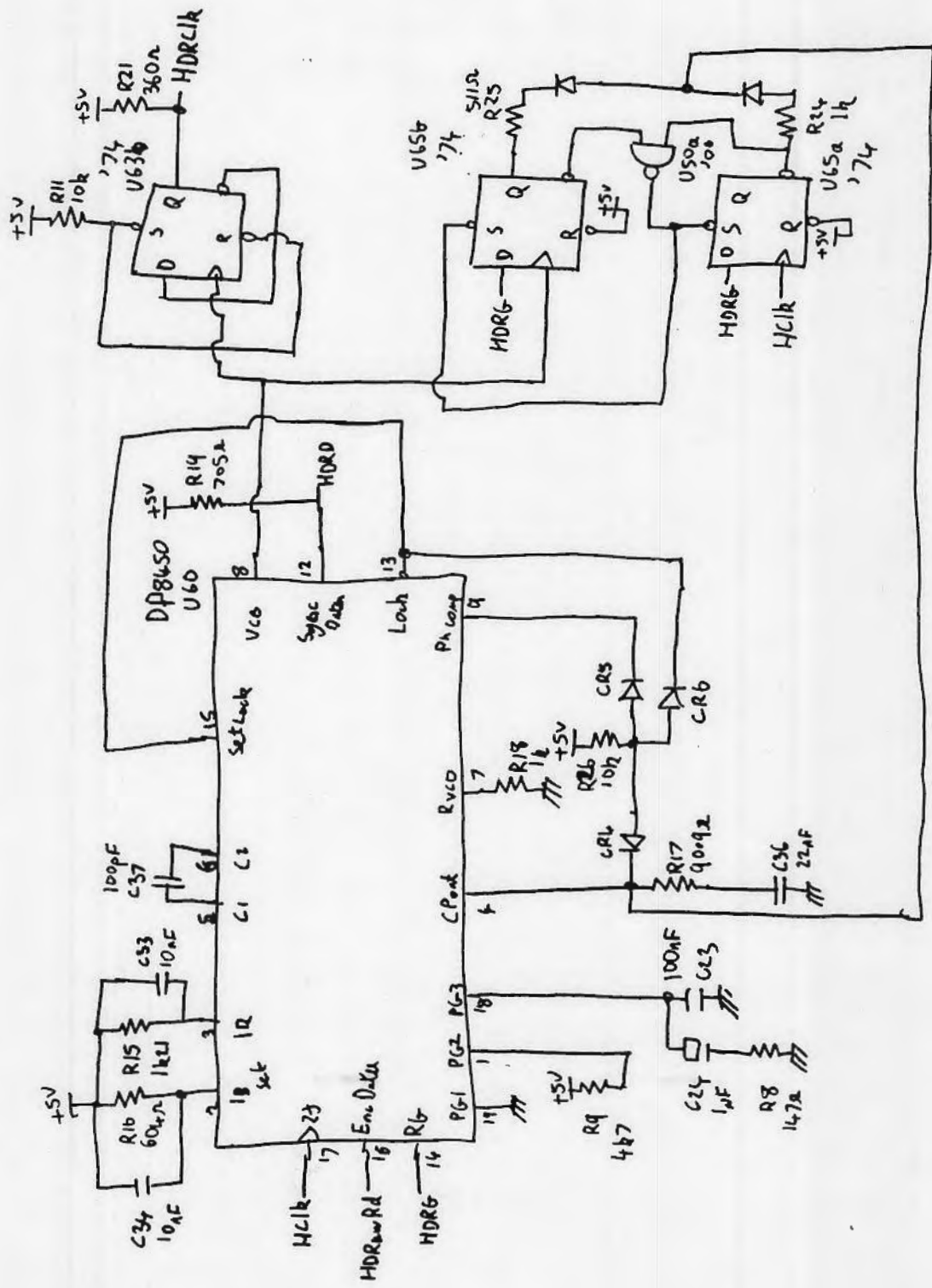




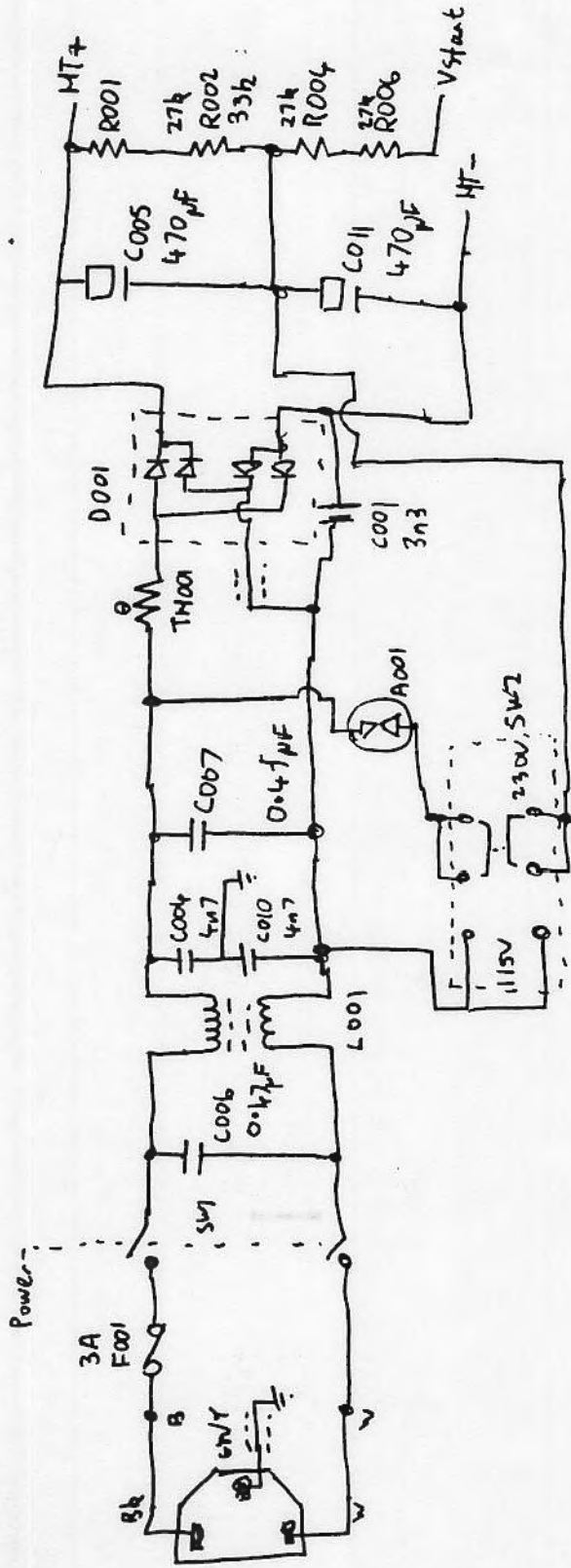
Hard Disk Write



Hard Disk Data



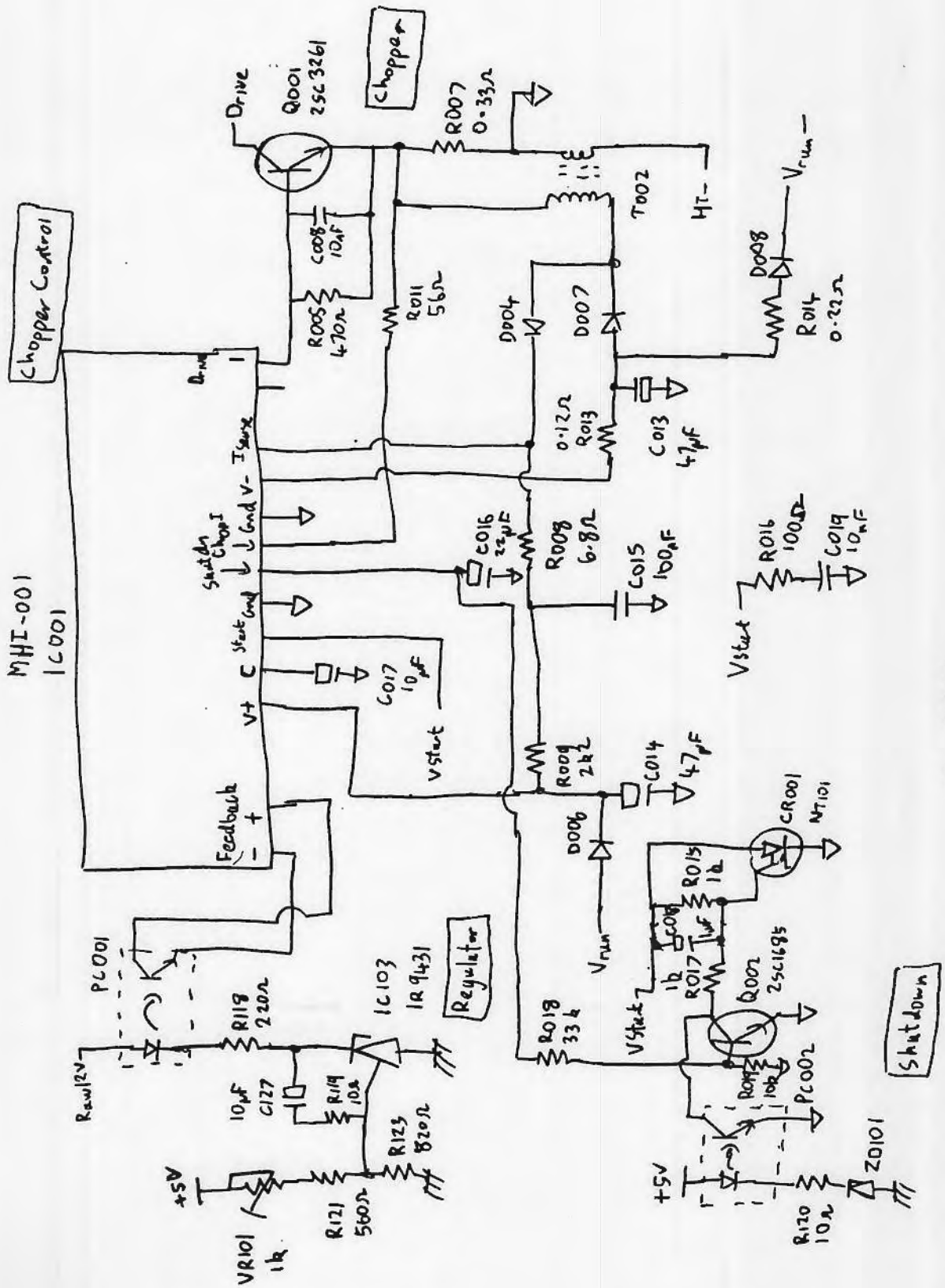
Read Clock



Mains Input

ETX-39008M

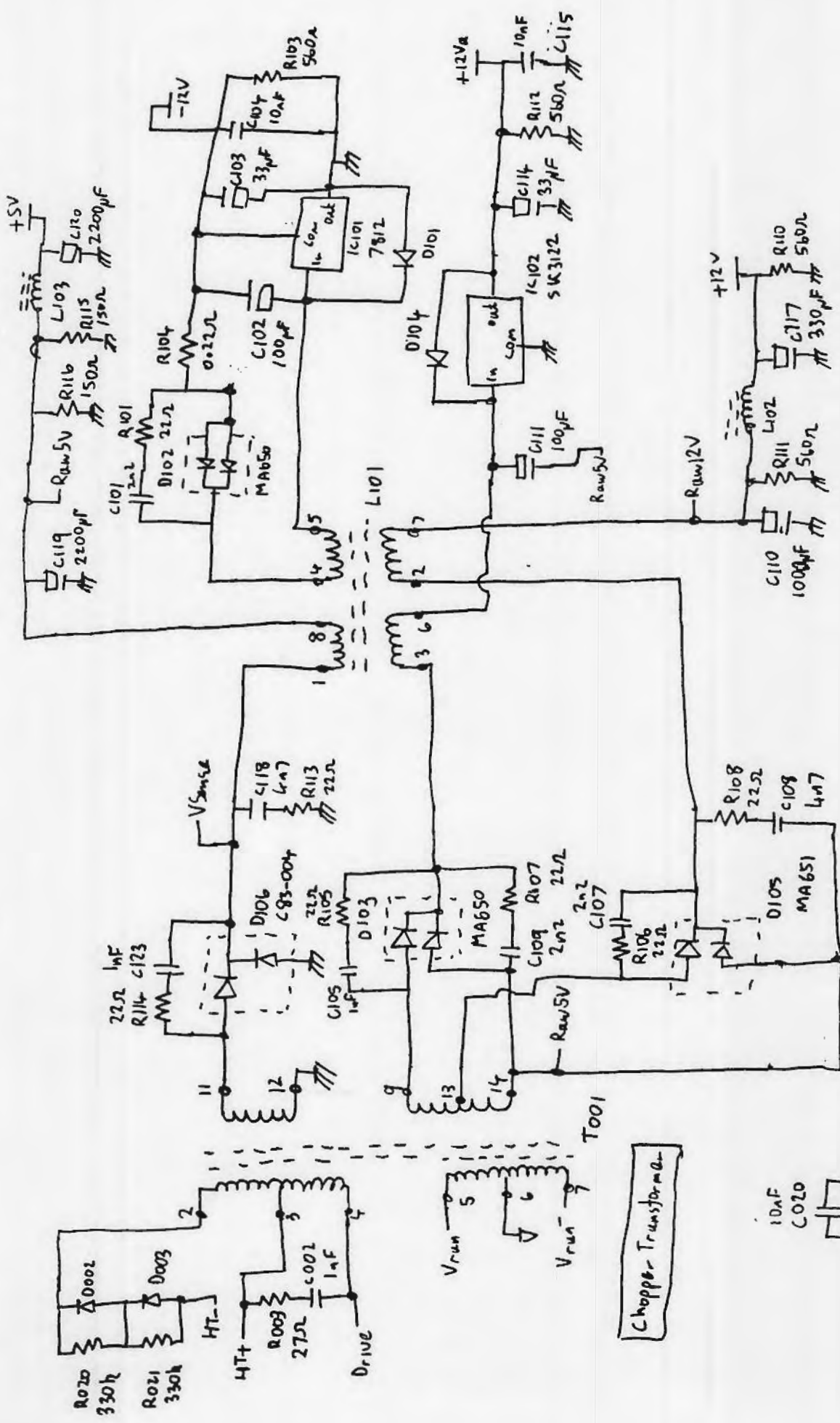
HP9133 PSU sheet 1



ETX-390D8M

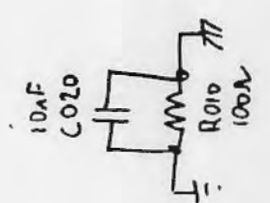
MP9133 PSU sheet 2





DC output

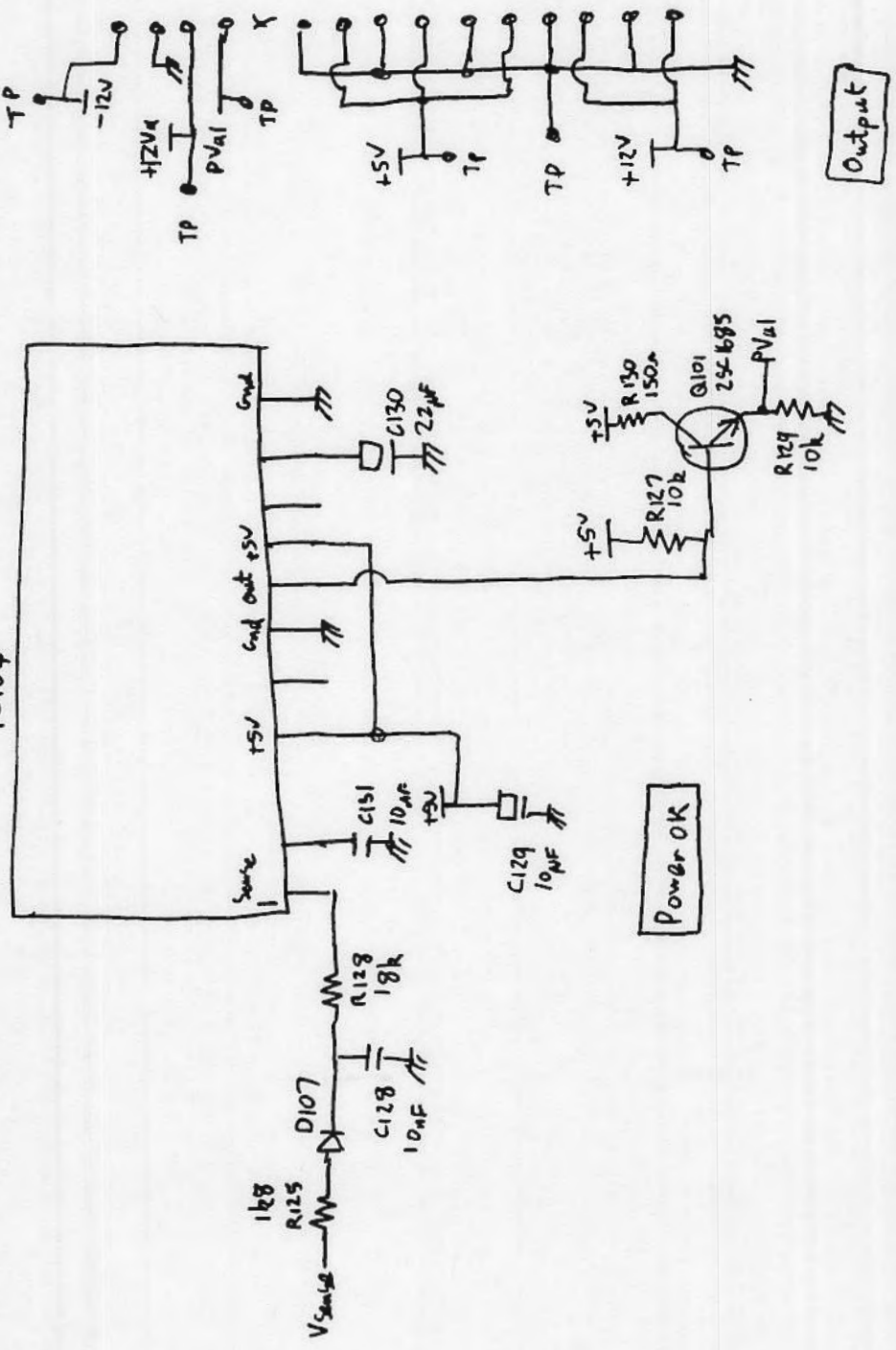
Chopper Transformer



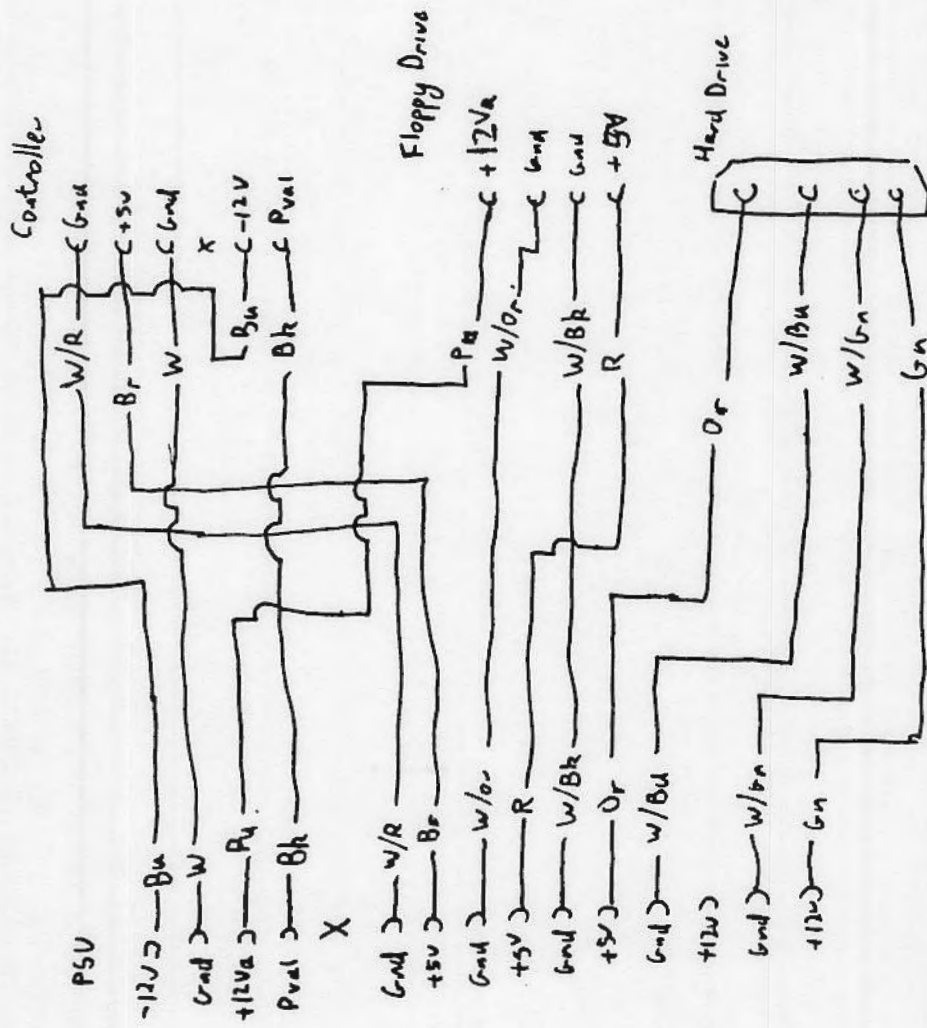
EIX-340 D8M

HP9133 PSU sheet 3

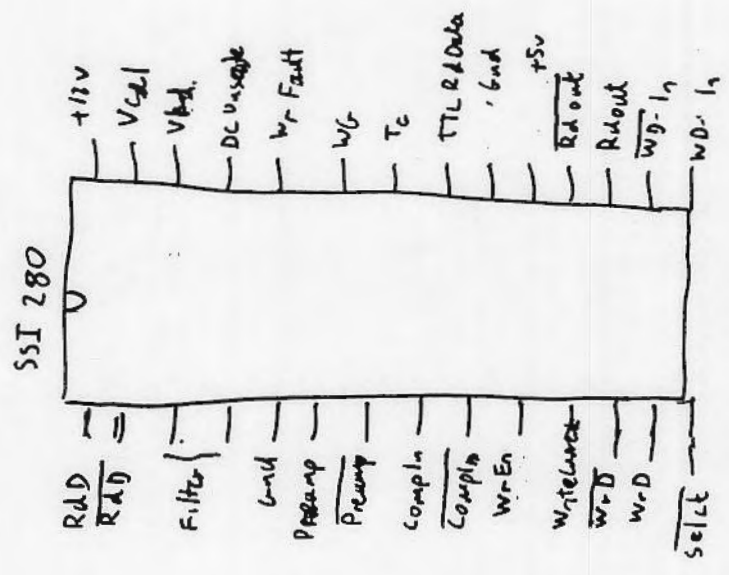
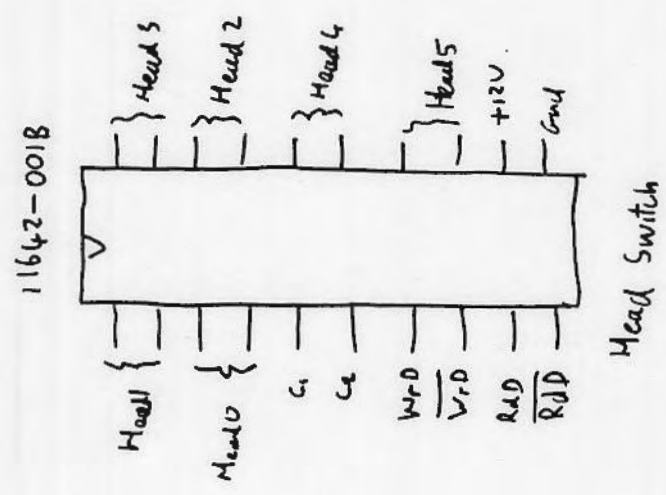
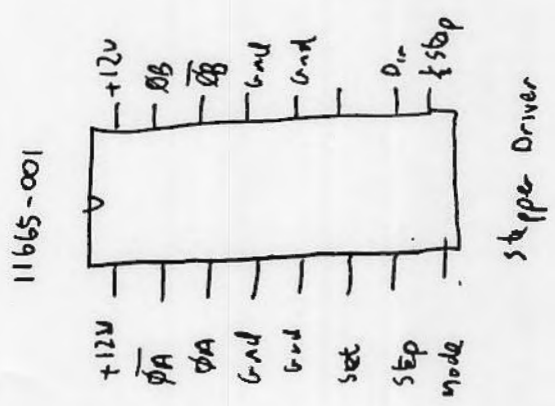
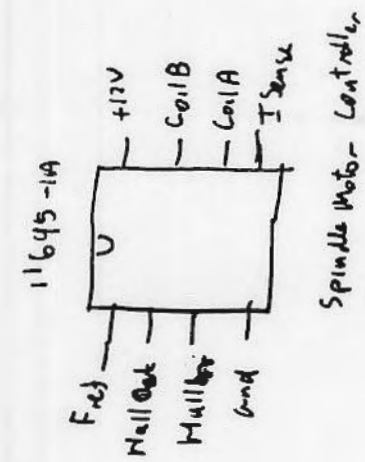
MHI-002  
12104



ETX-390 D8M  
HP9133 PSU Sheet 4

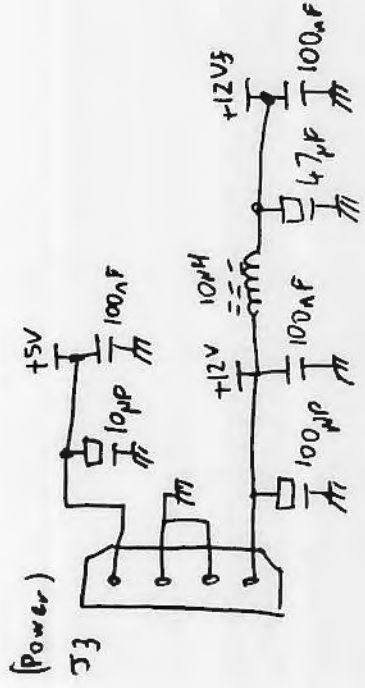
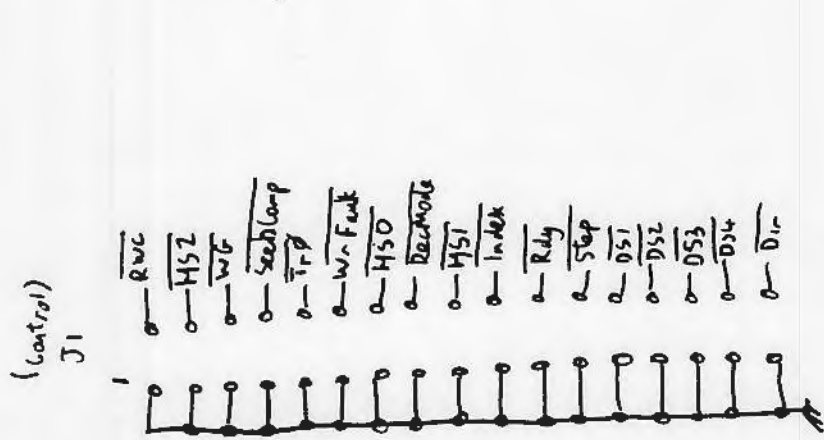
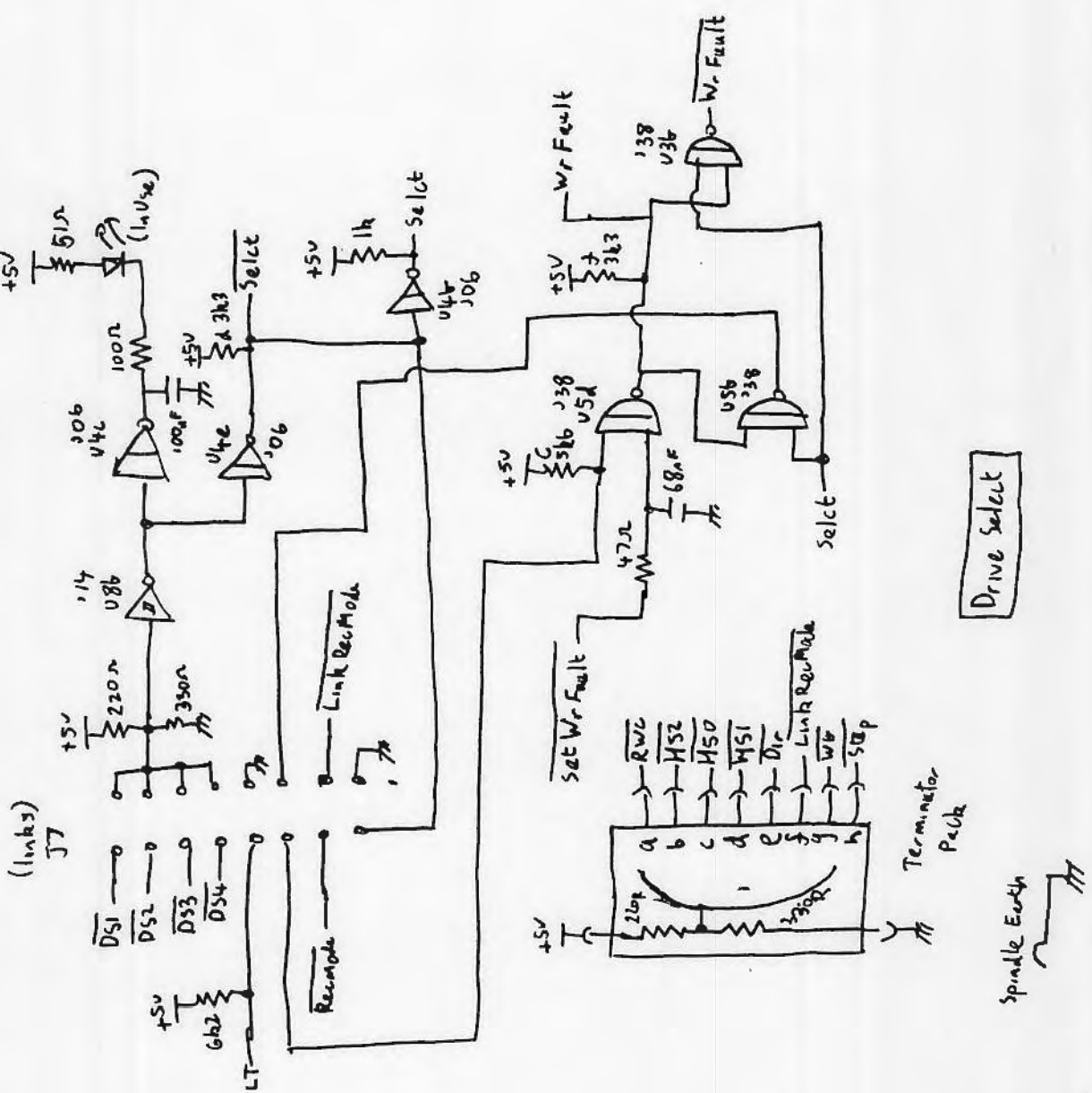


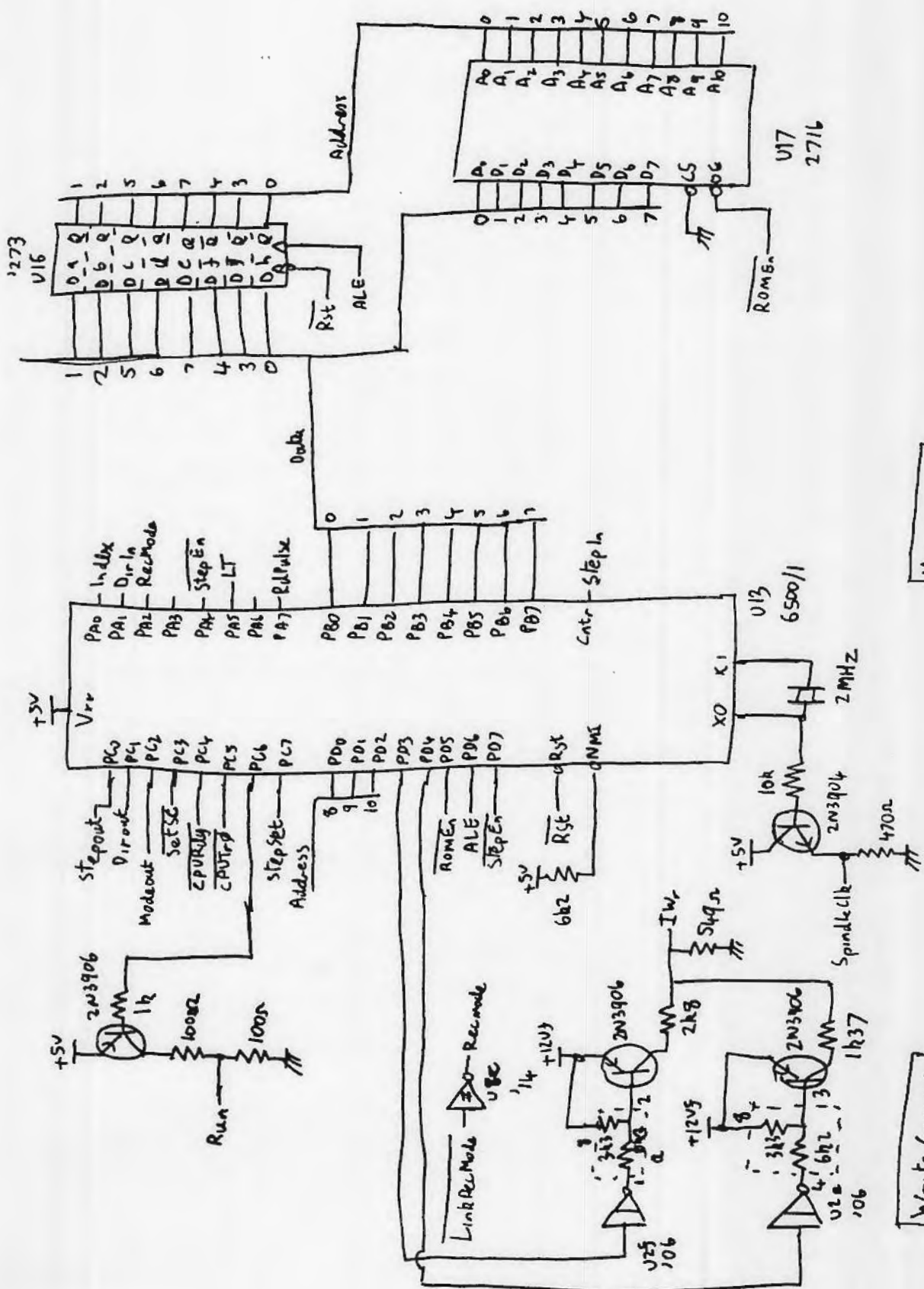
MPQ133 Power cable



Read/Write Control

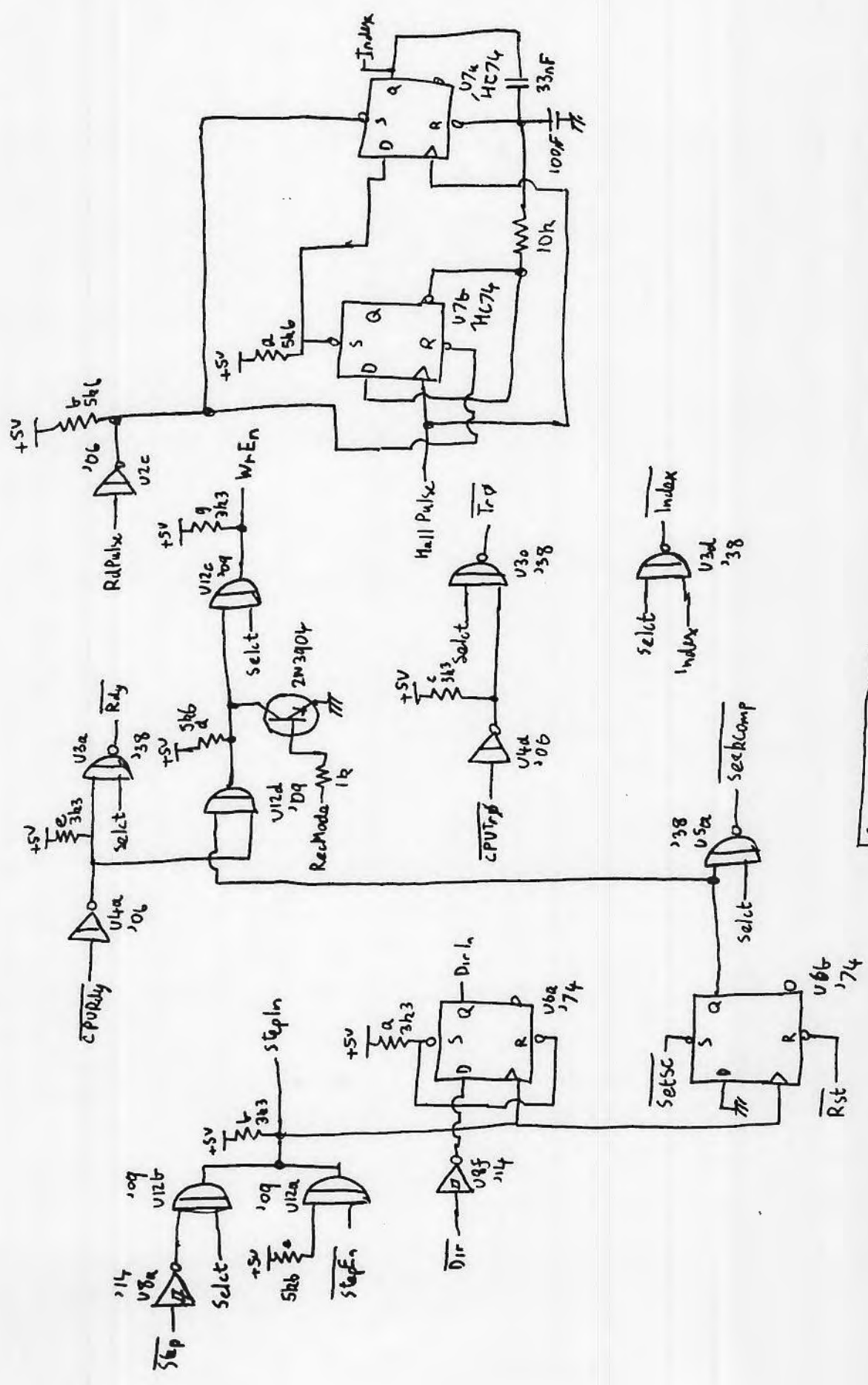
ST 225 ICs



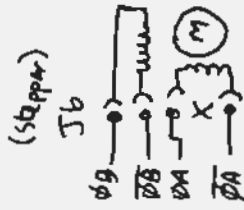
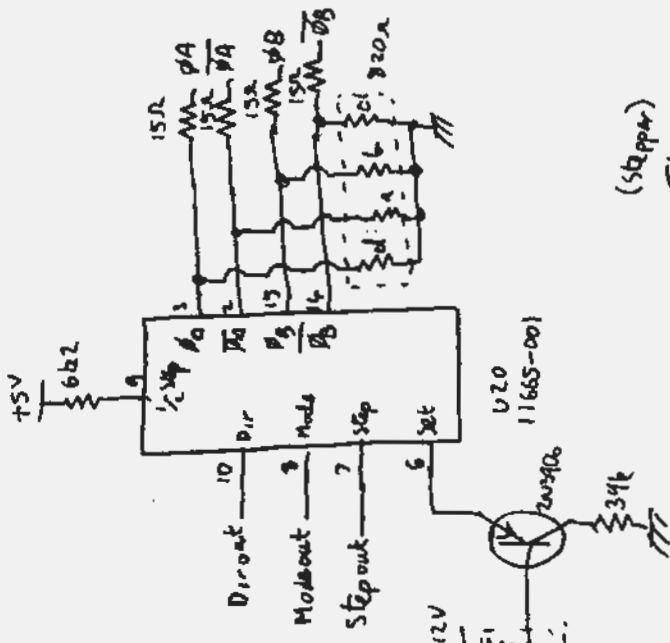


Micro Controller

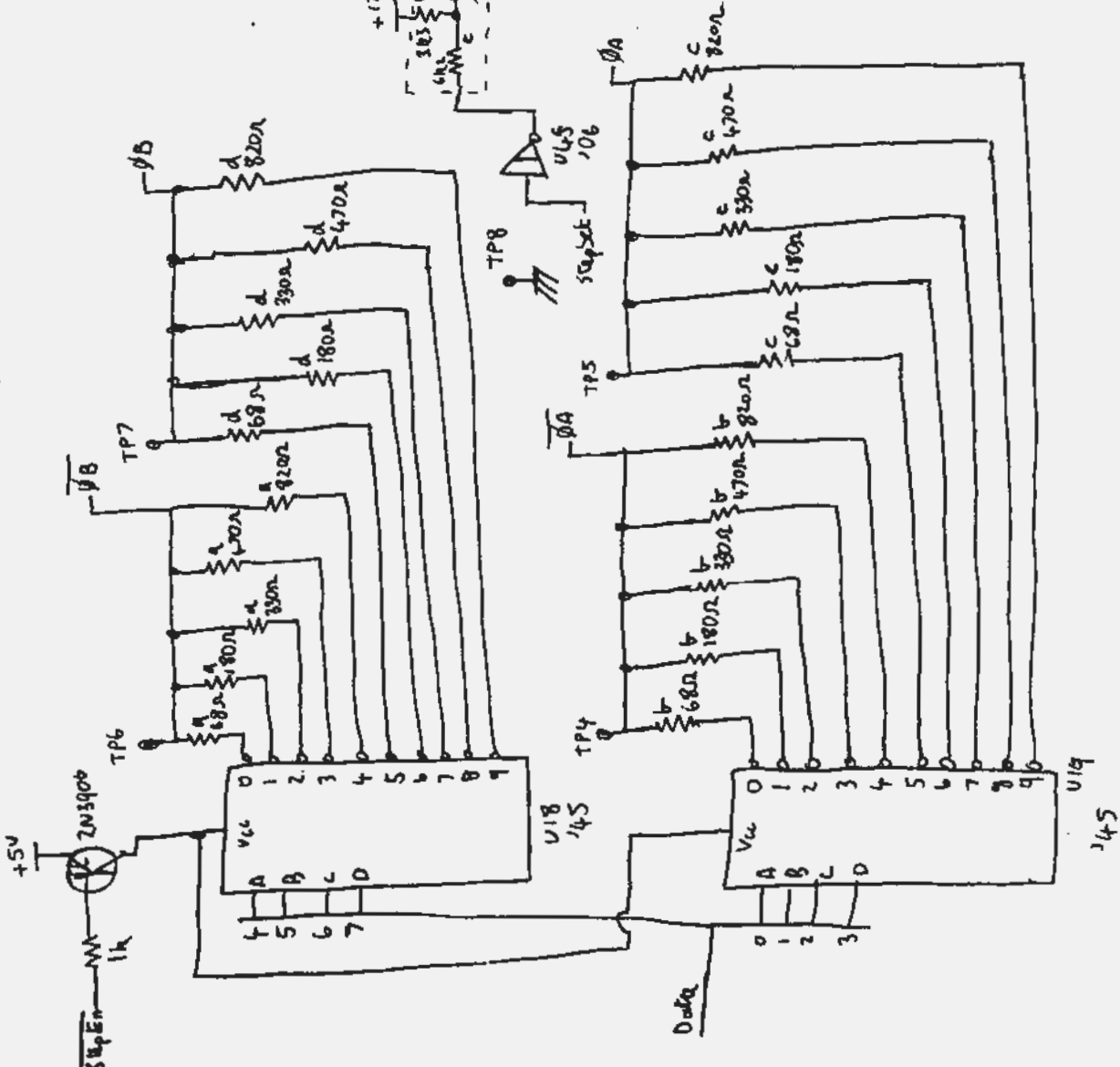
Write Current



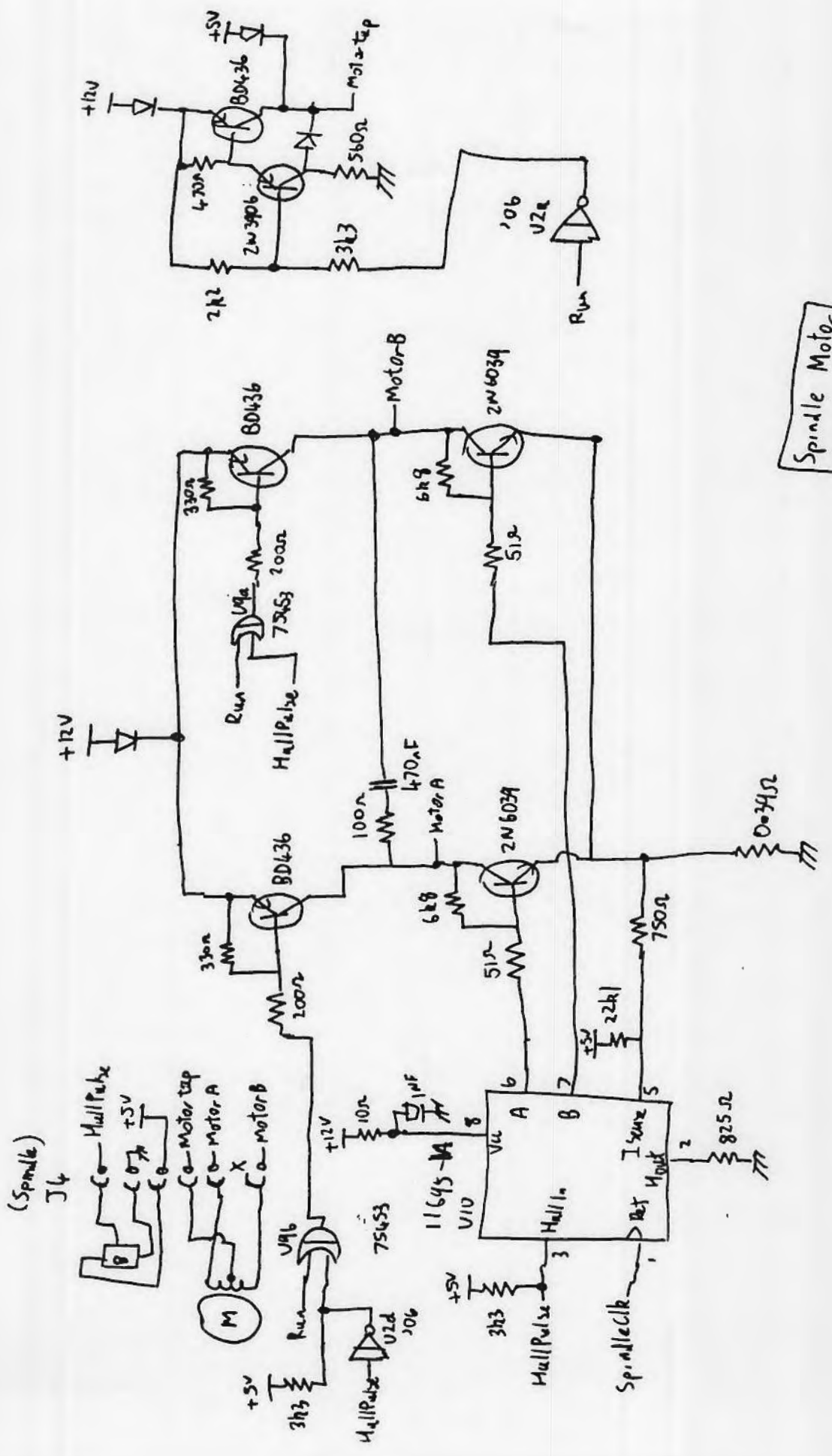
Control Interface



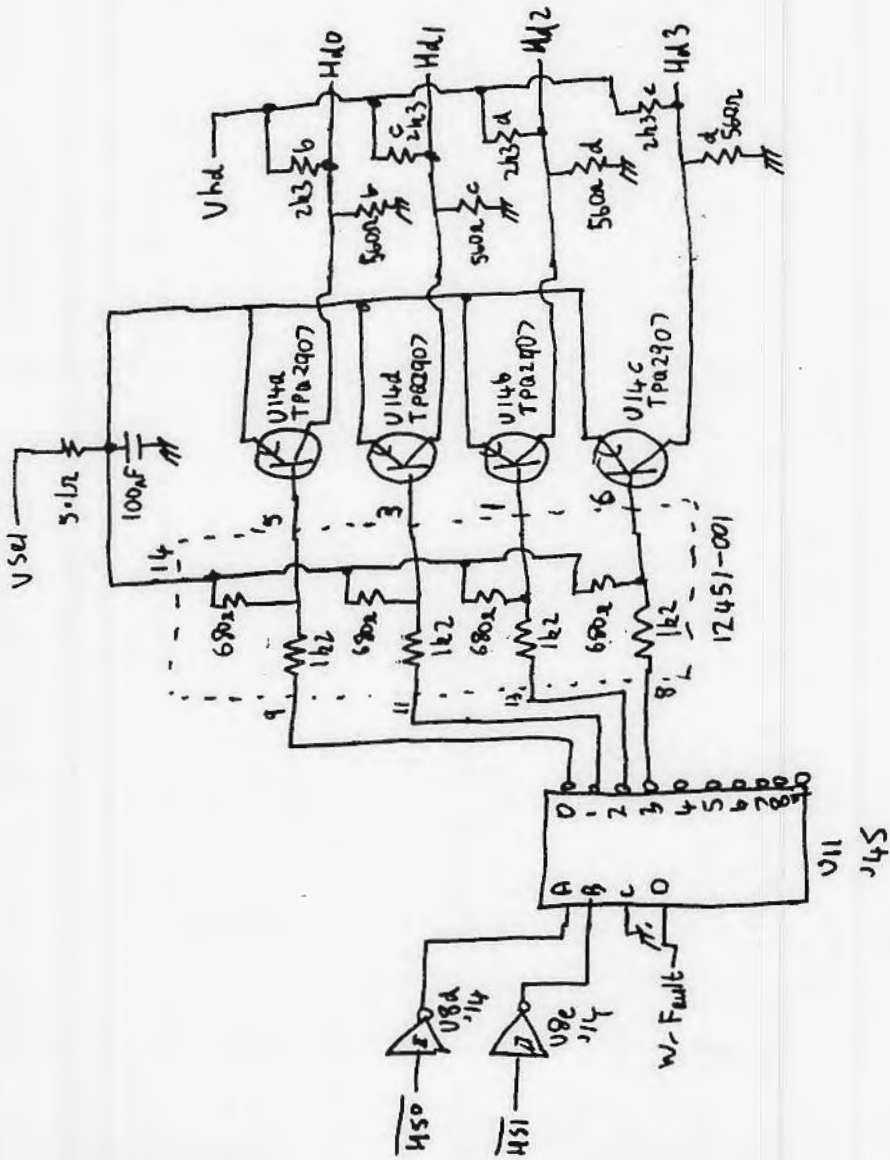
Stepper Driver



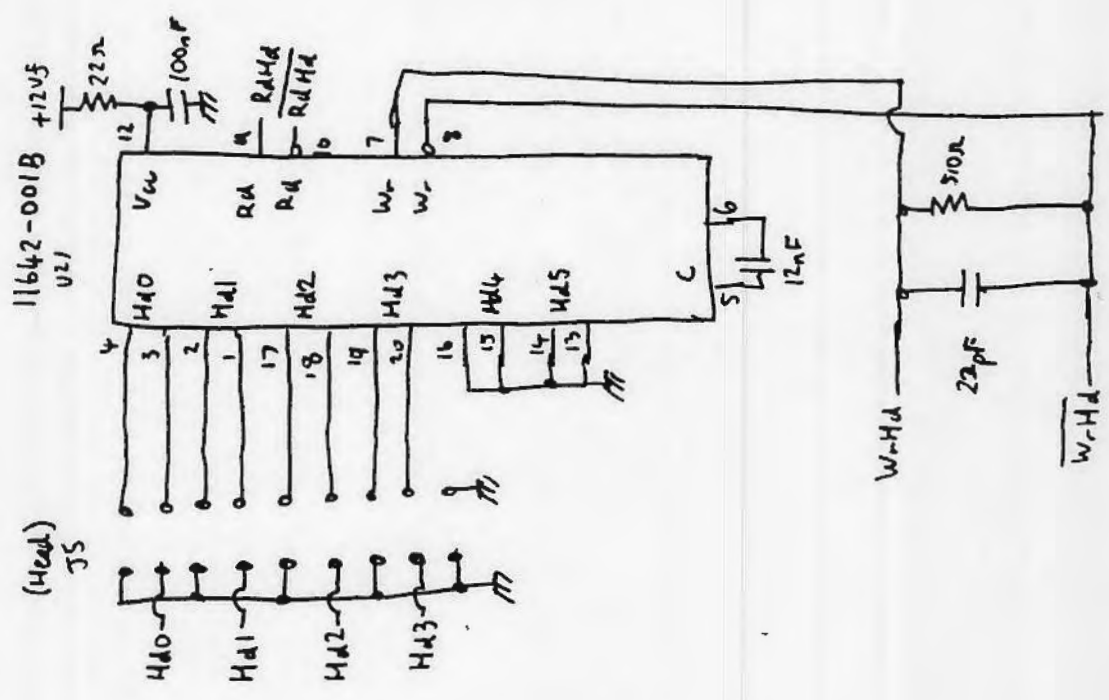


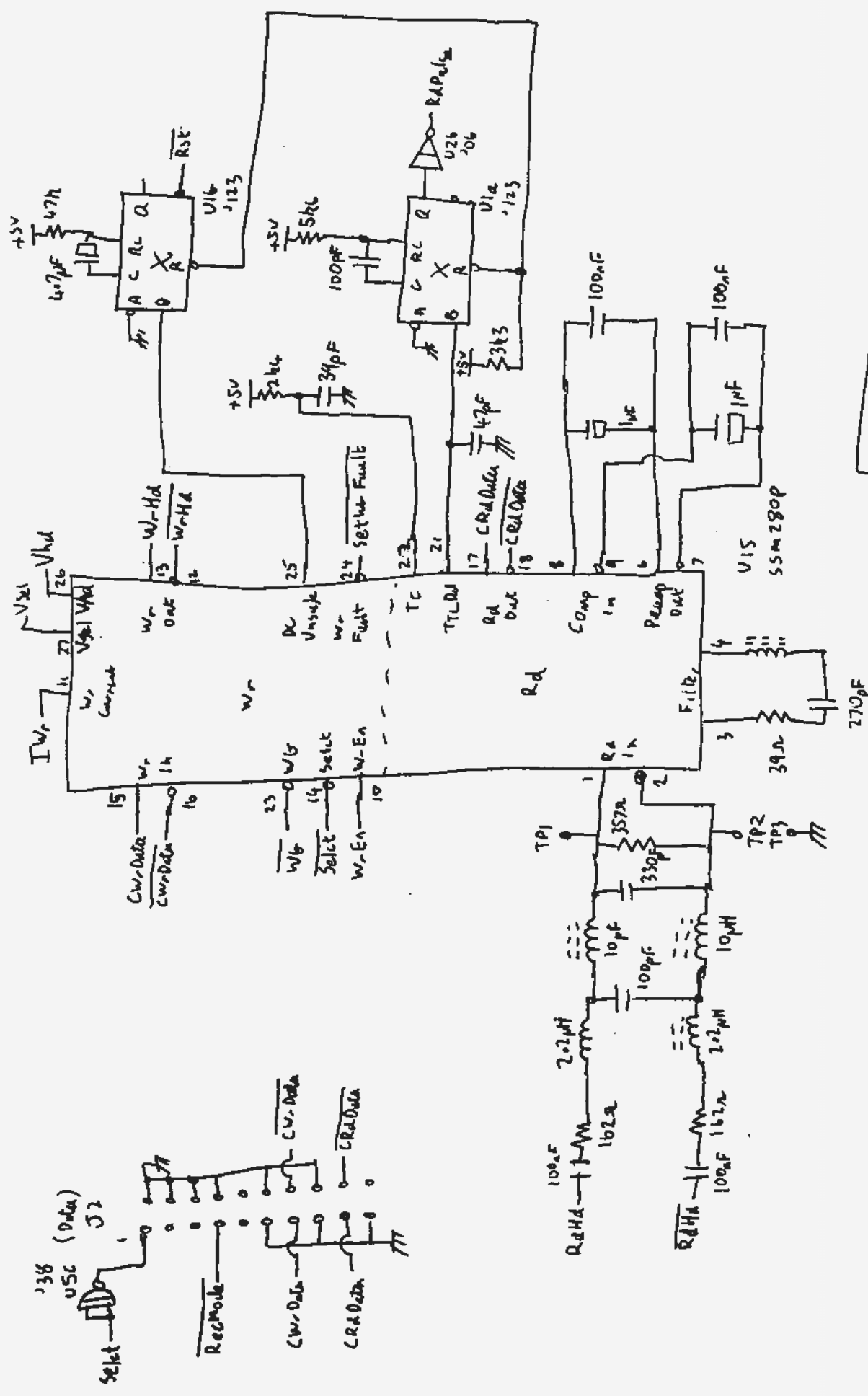


Spindle Motor

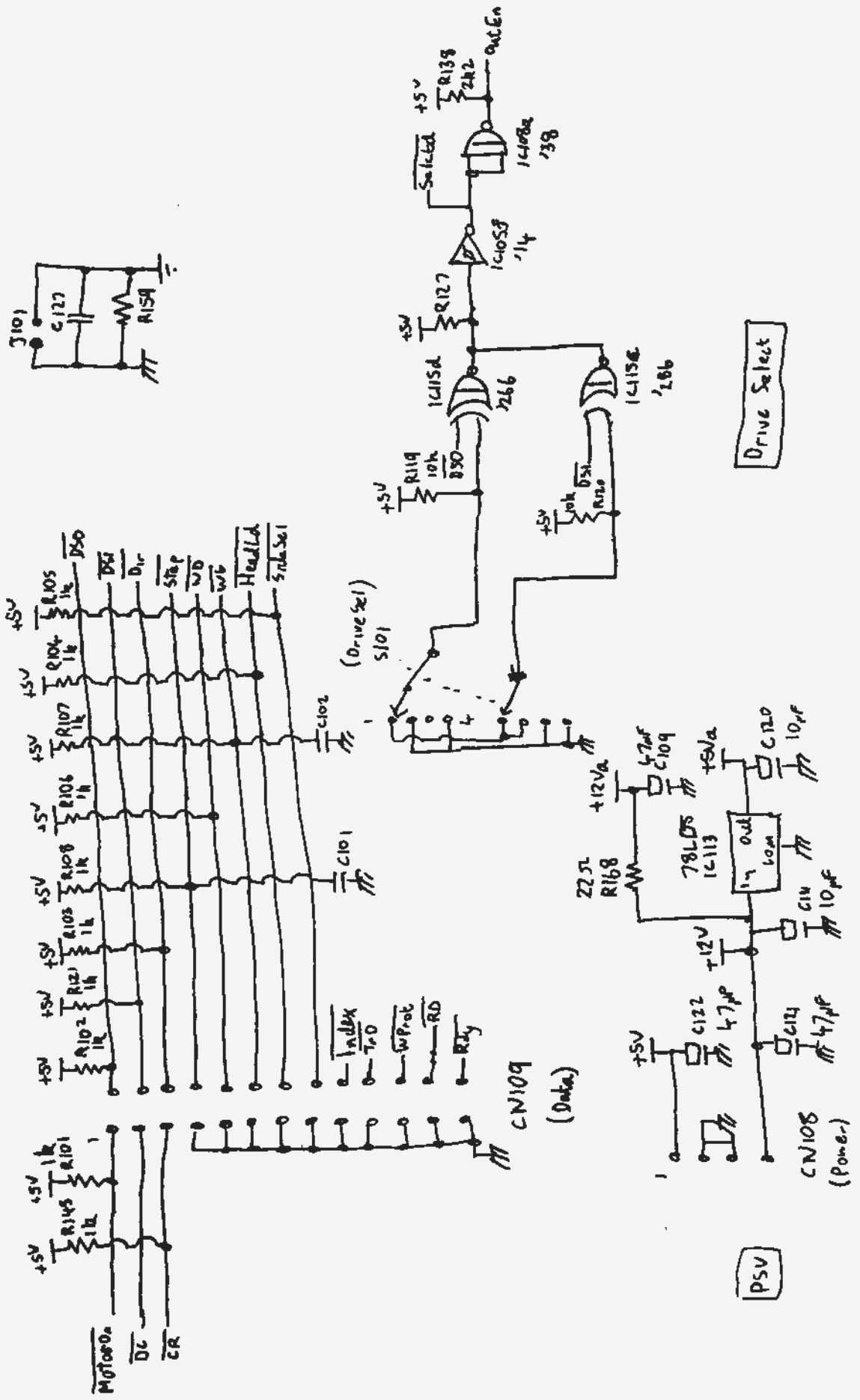


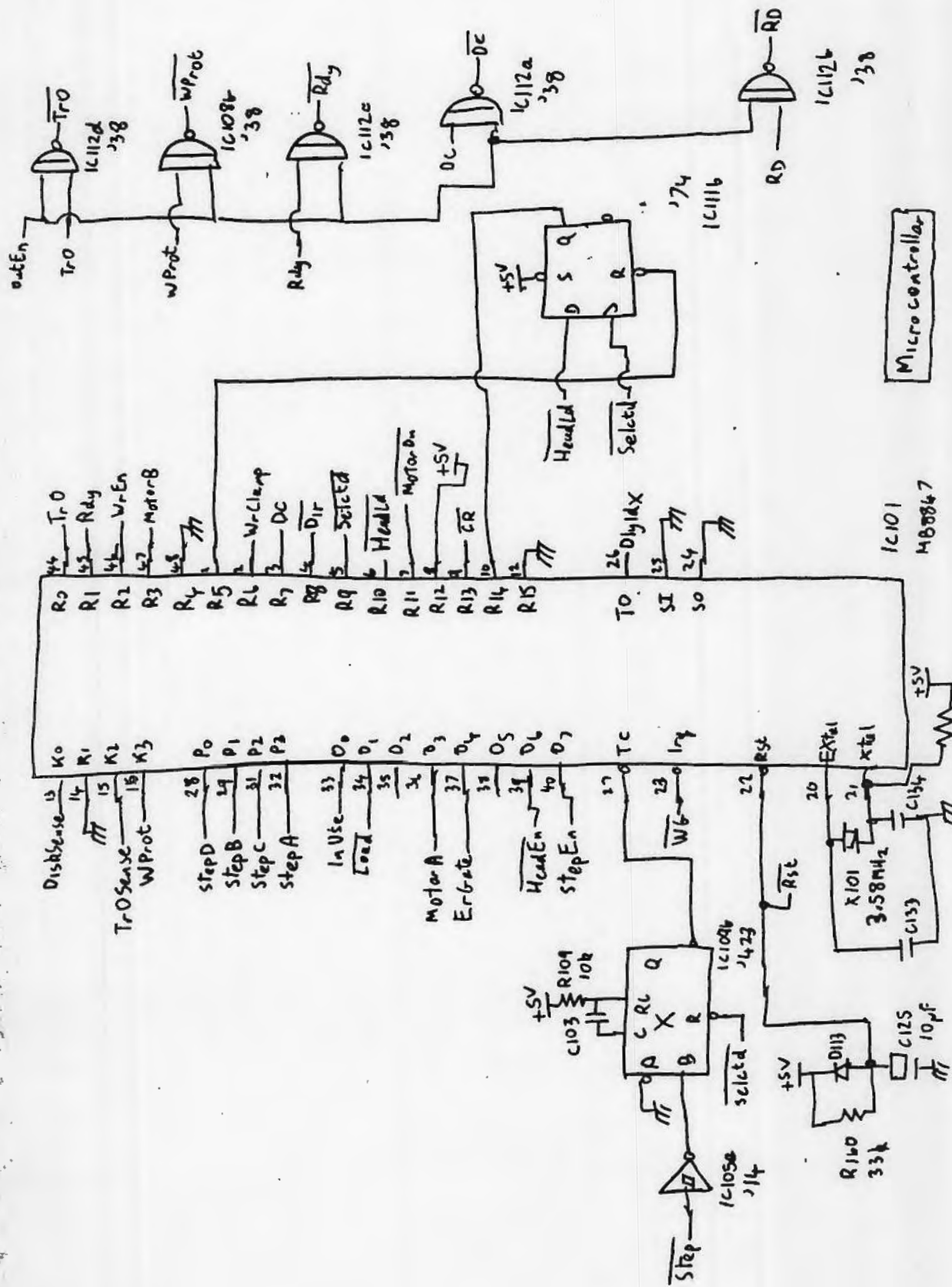
Head Switch



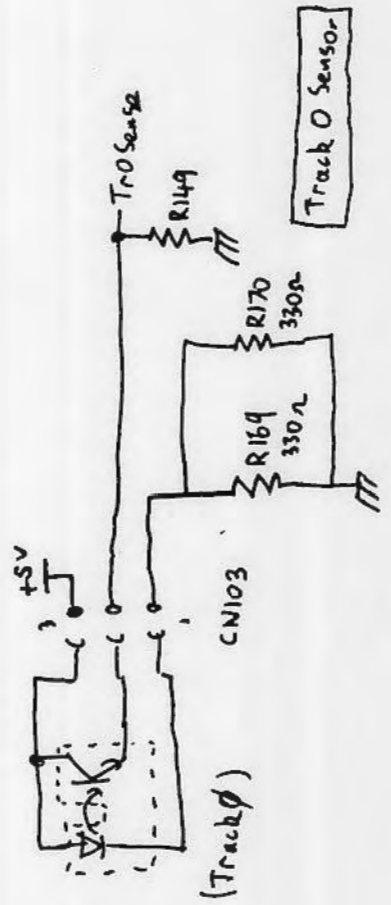
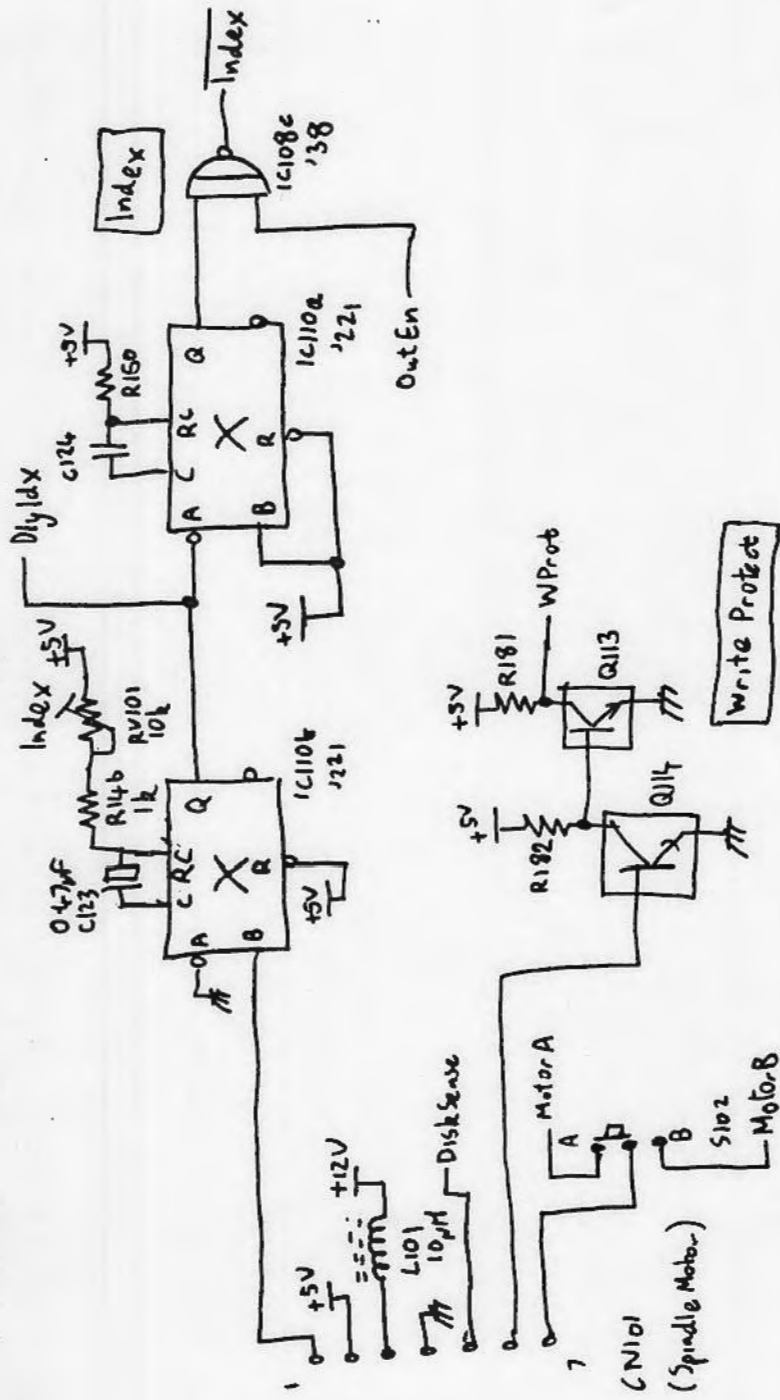


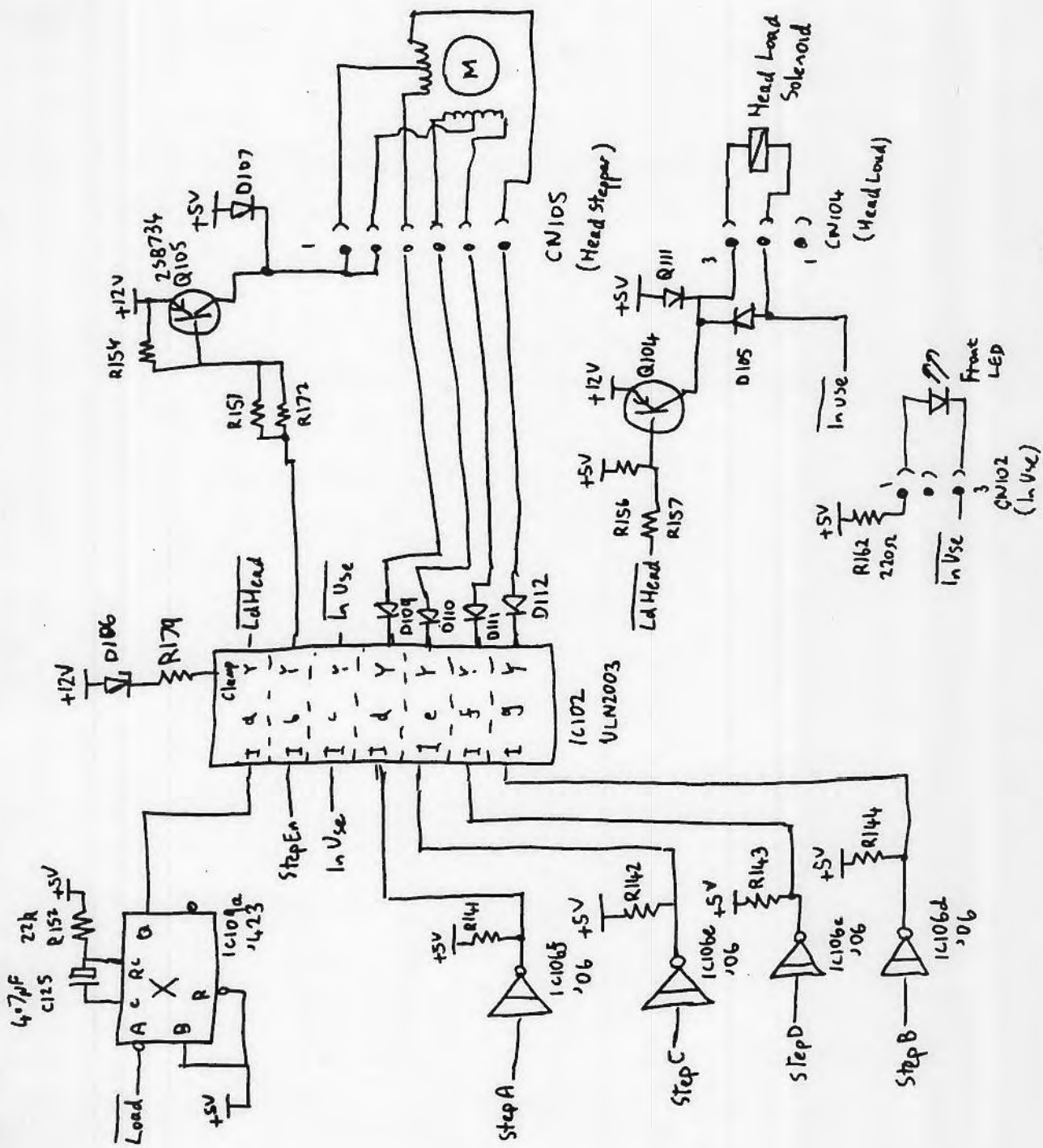
Read/Write

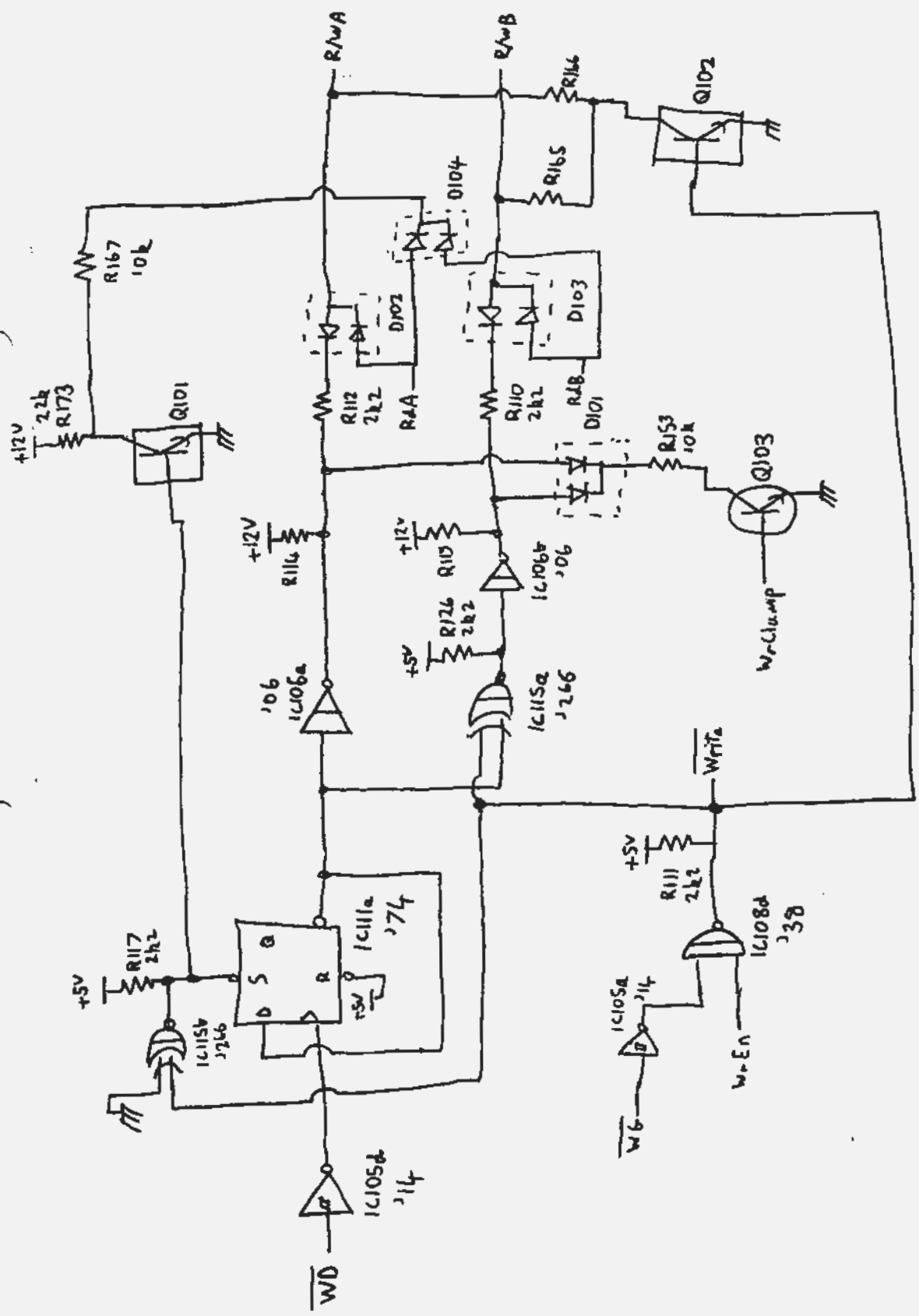




Sony Floppy Drive Logic Board FC9 Sleast ②

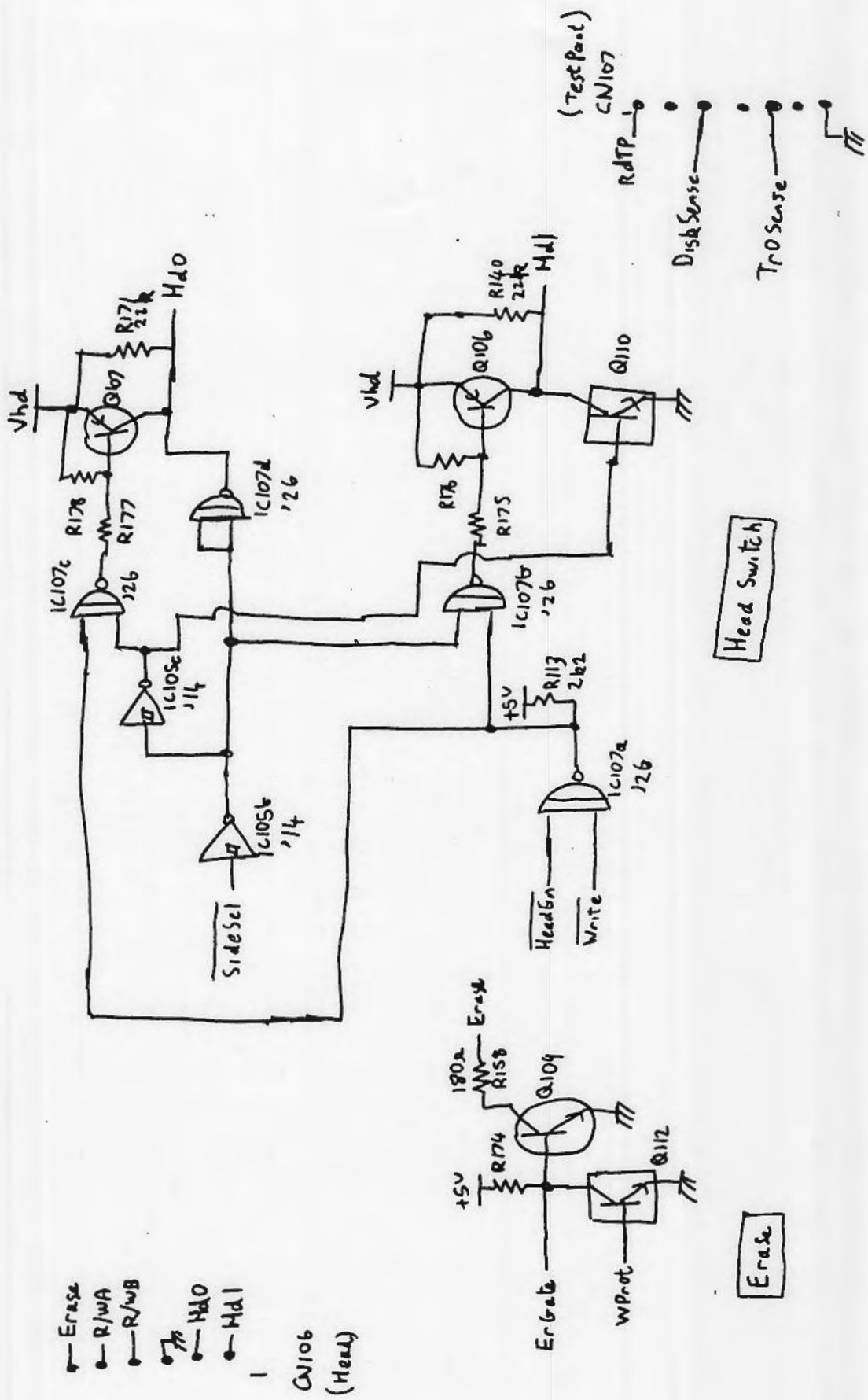






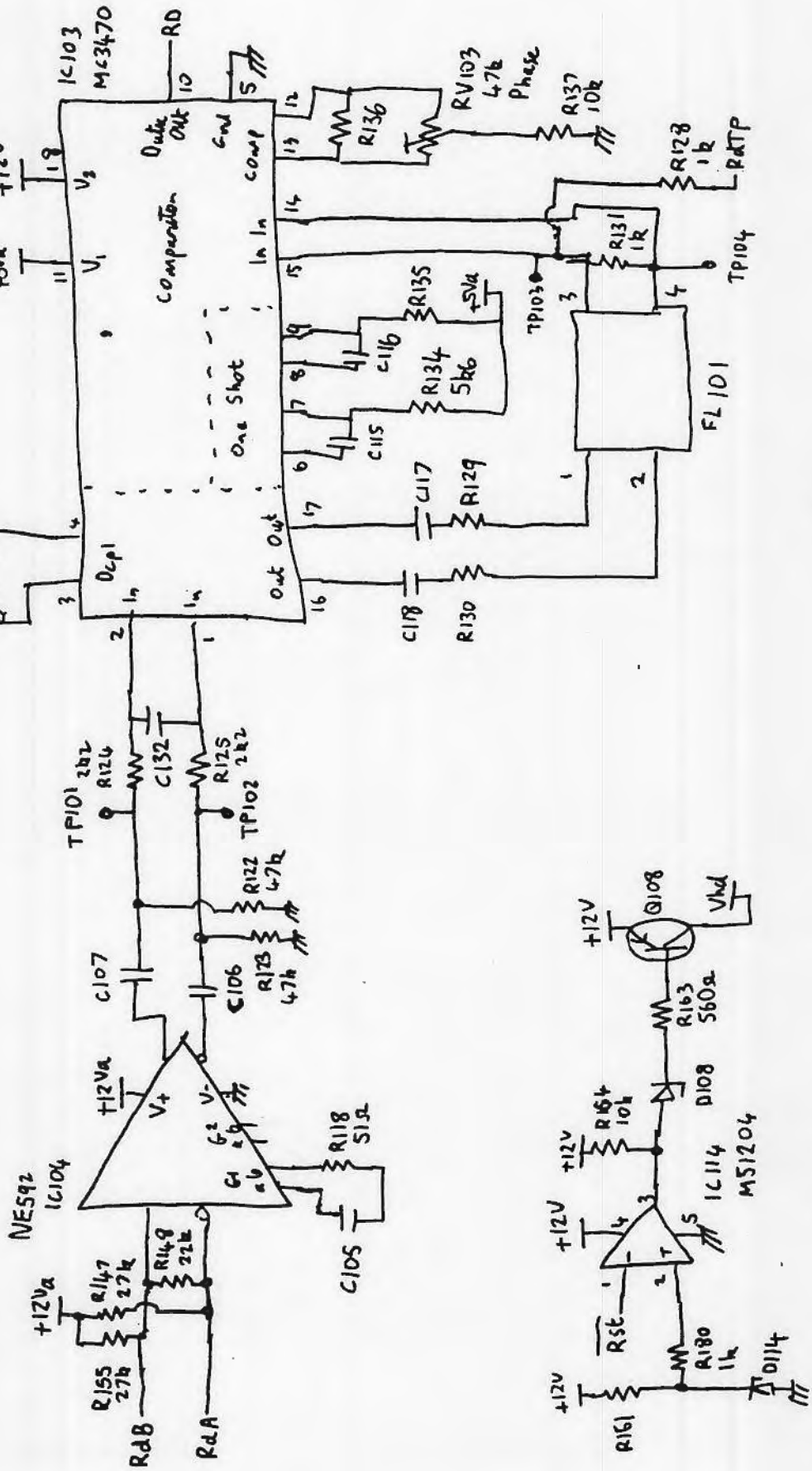
Write





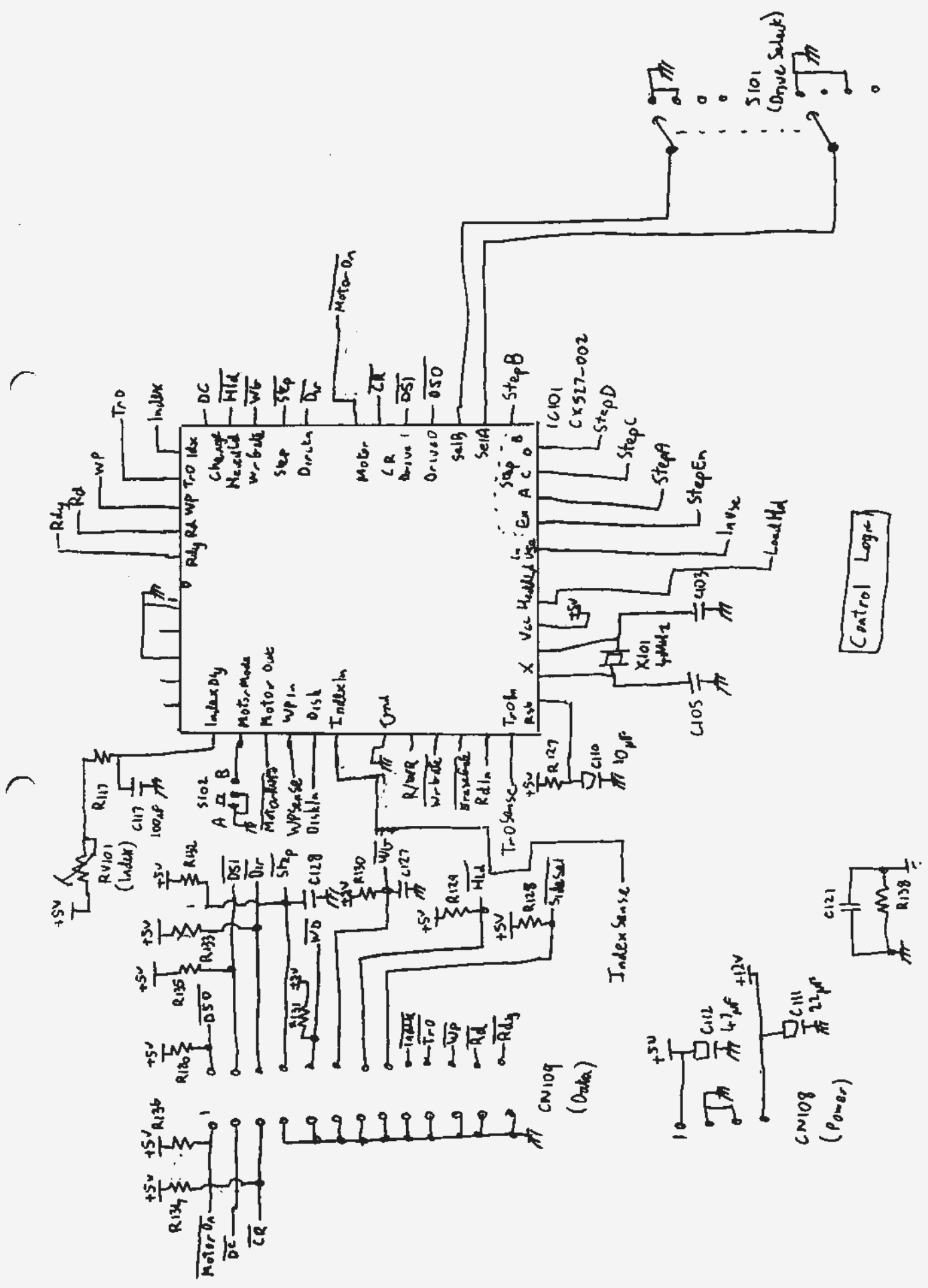
Head Switch

Erase

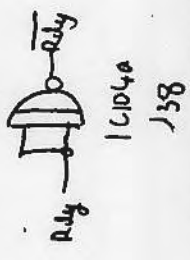


Read

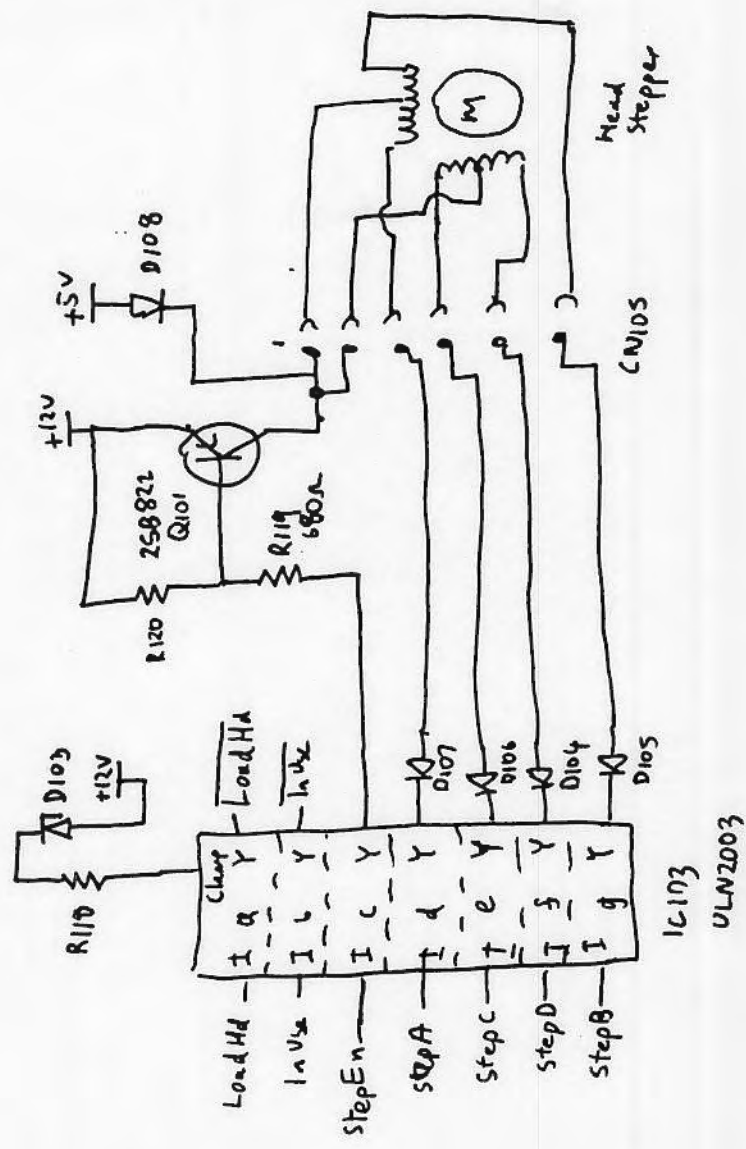
Power Ok



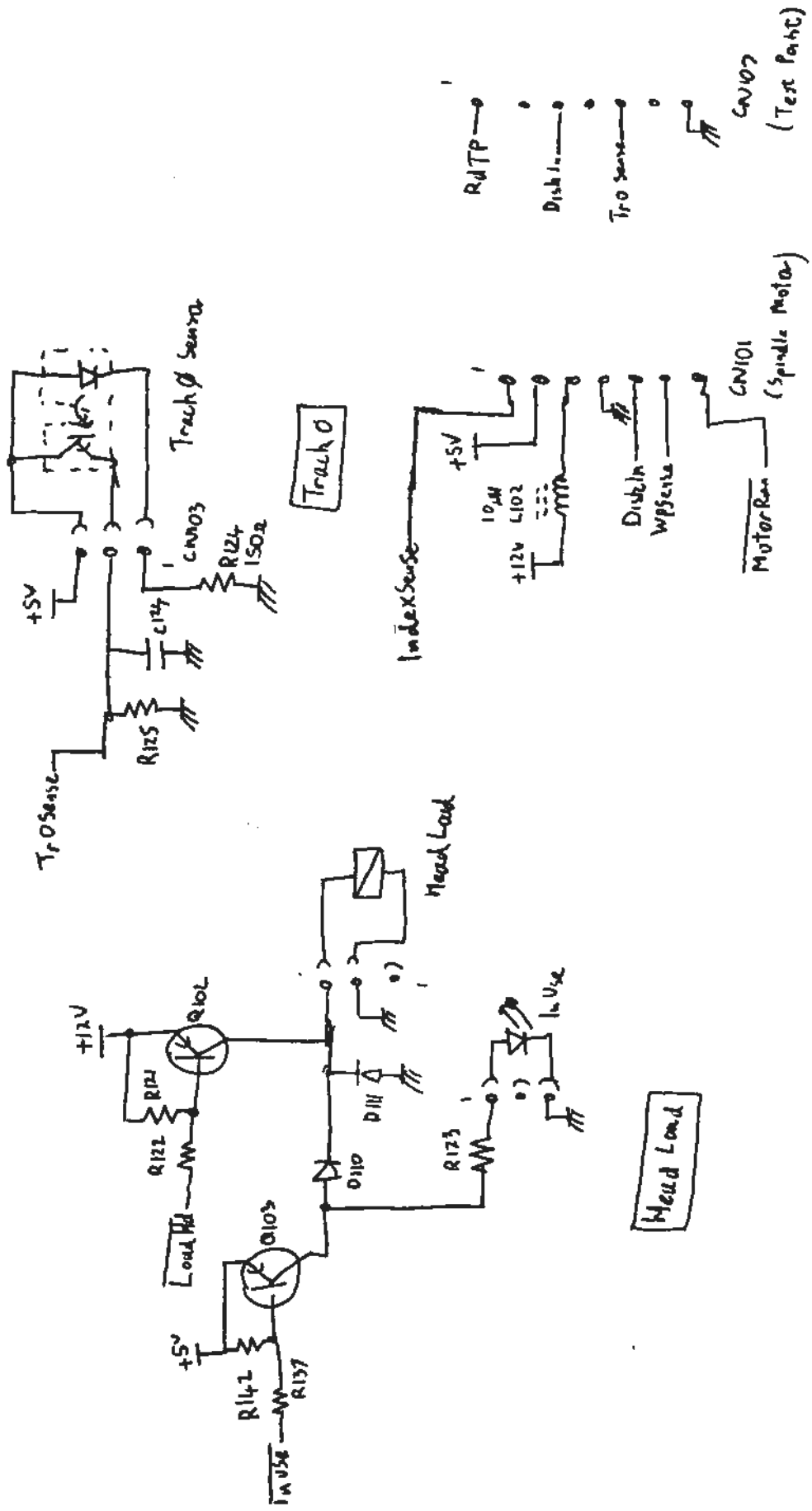
Sony Floppy Drive Logic Board FC16 Sheet 1

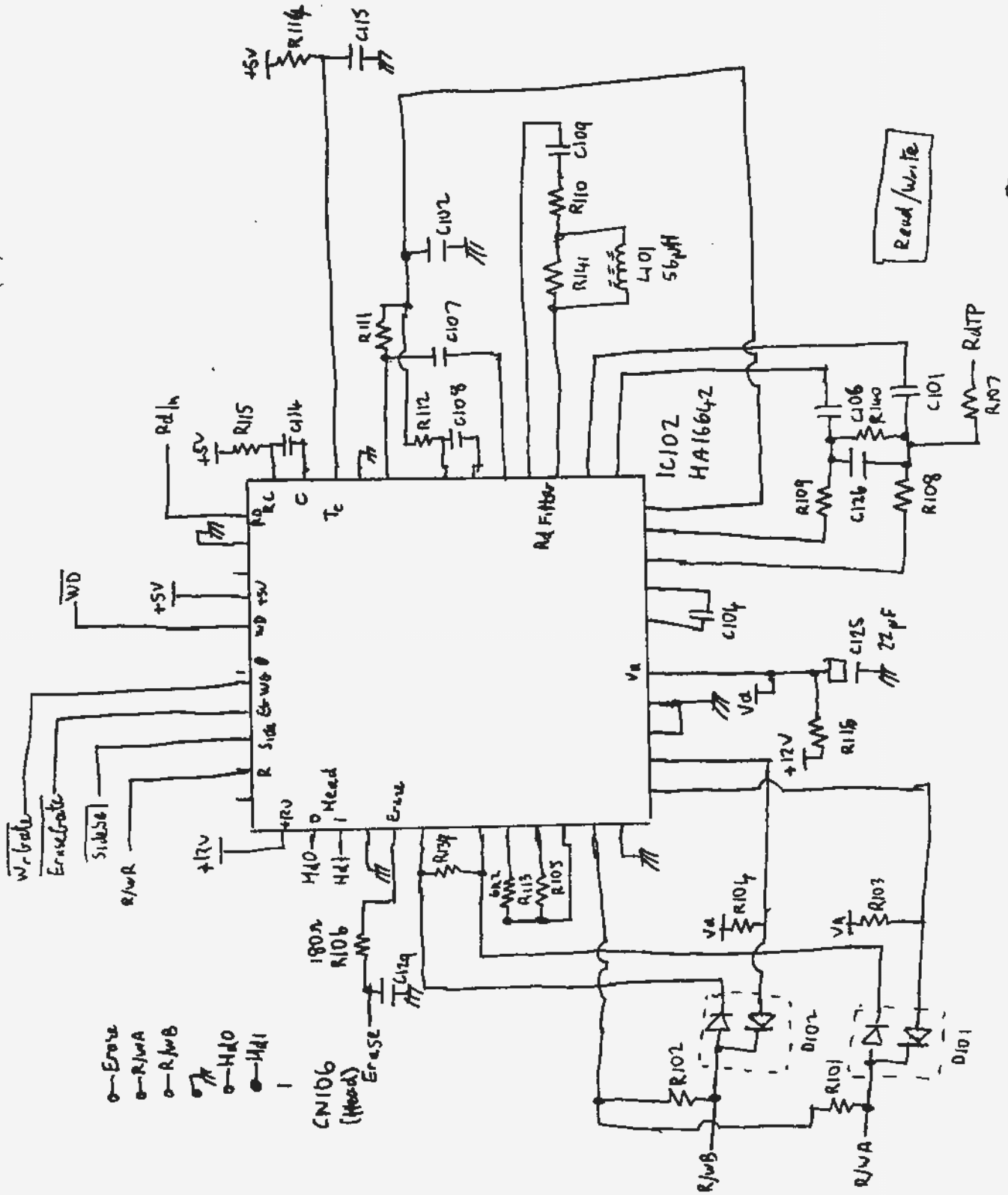


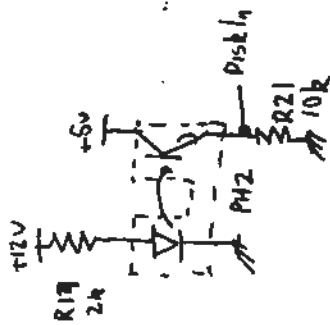
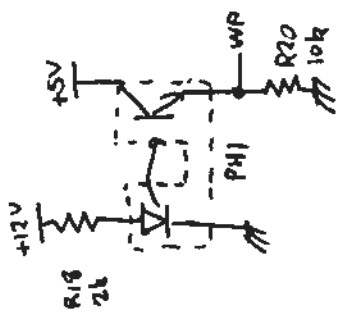
Interface Output



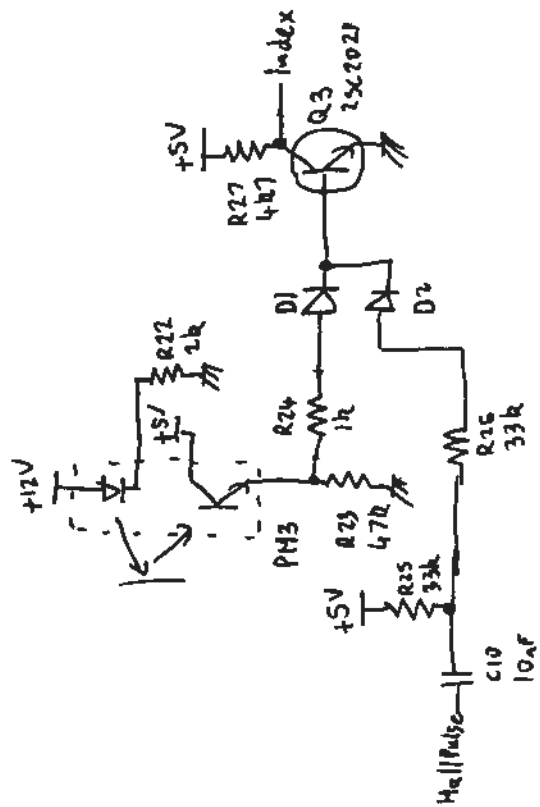
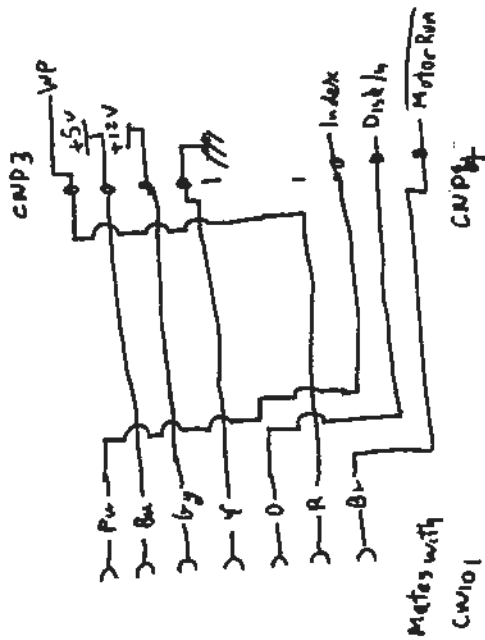
Stepper Driver



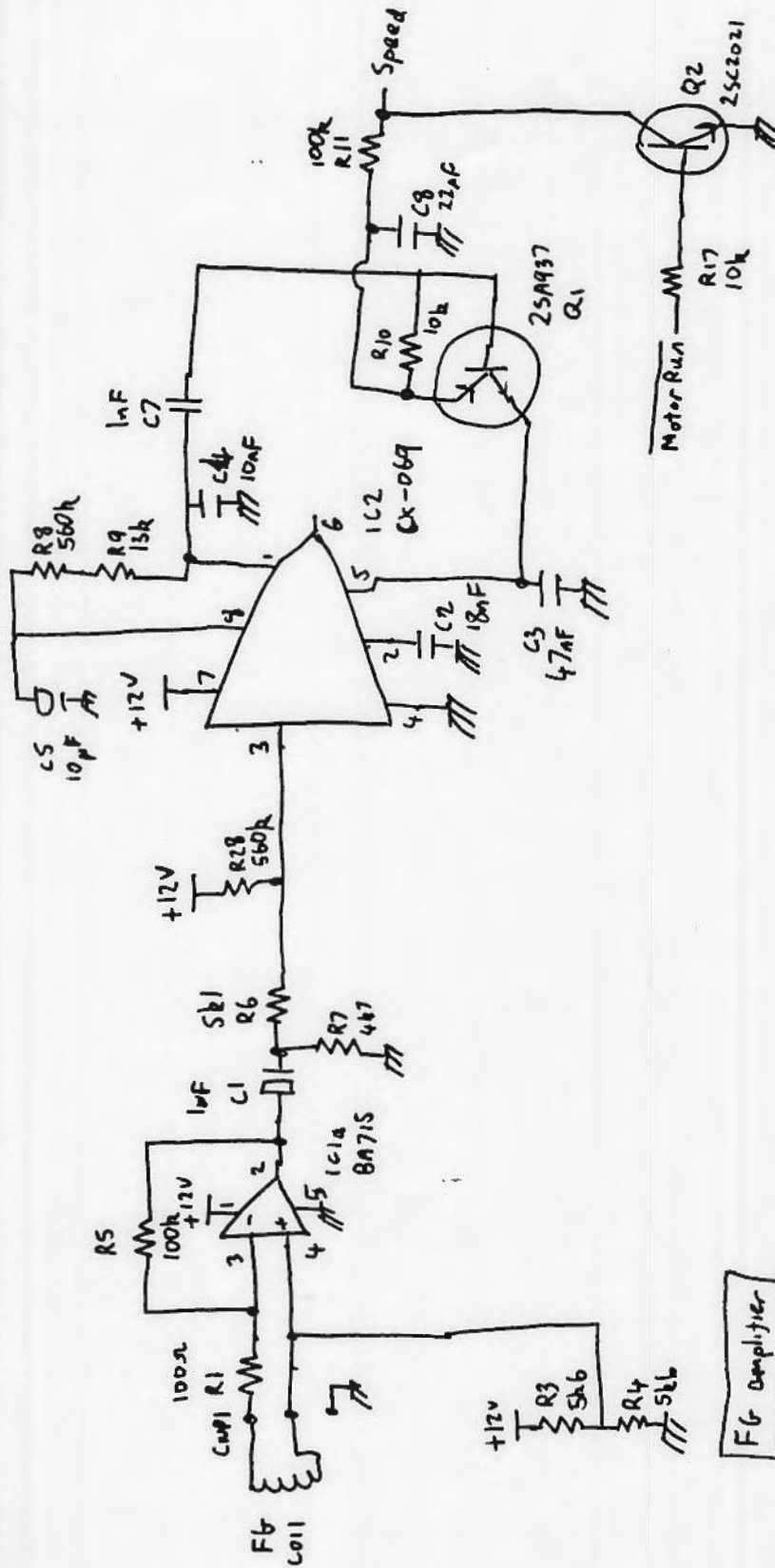




Sensors



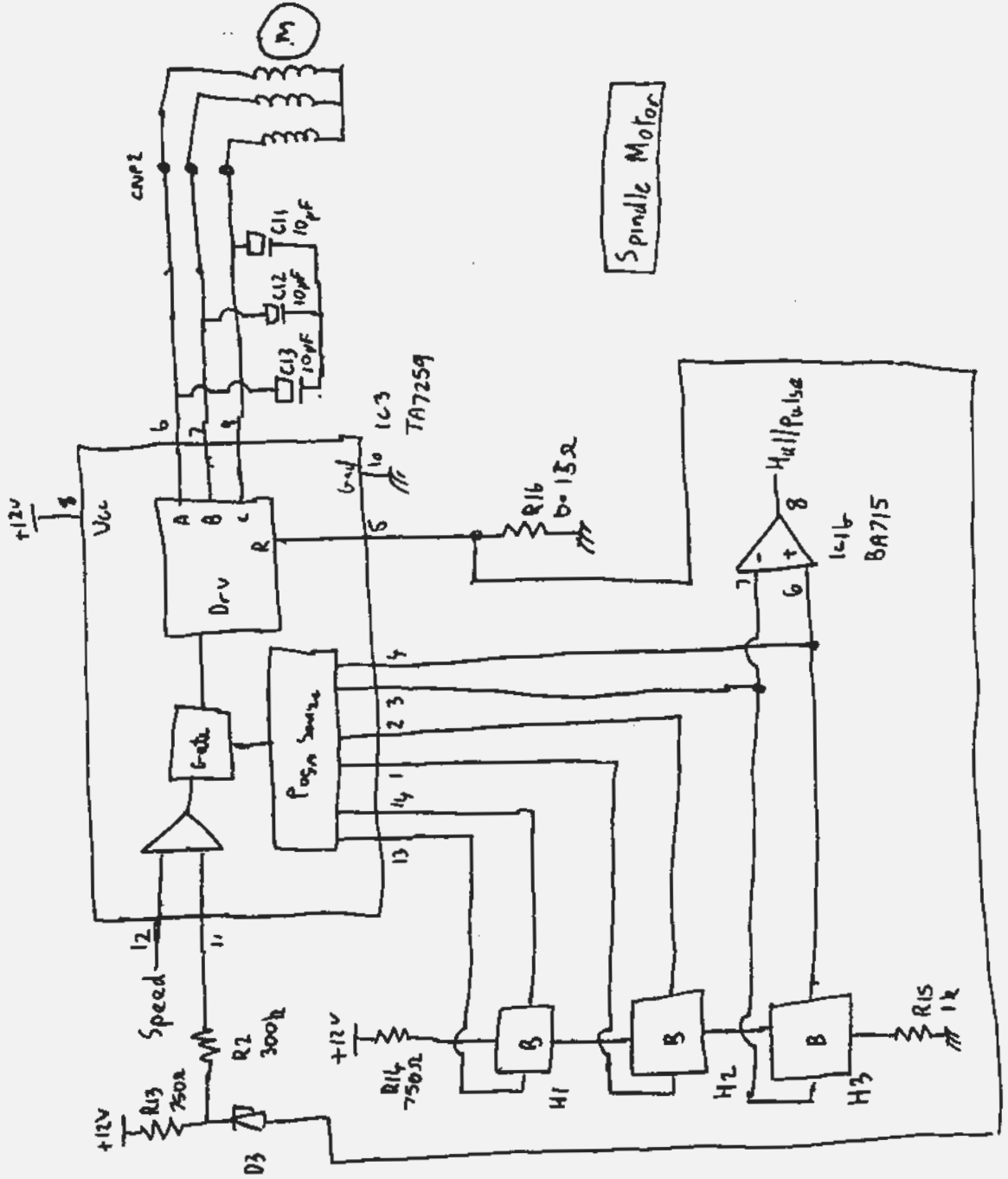
Sony Floppy Drive Spindle Motor Slant ①



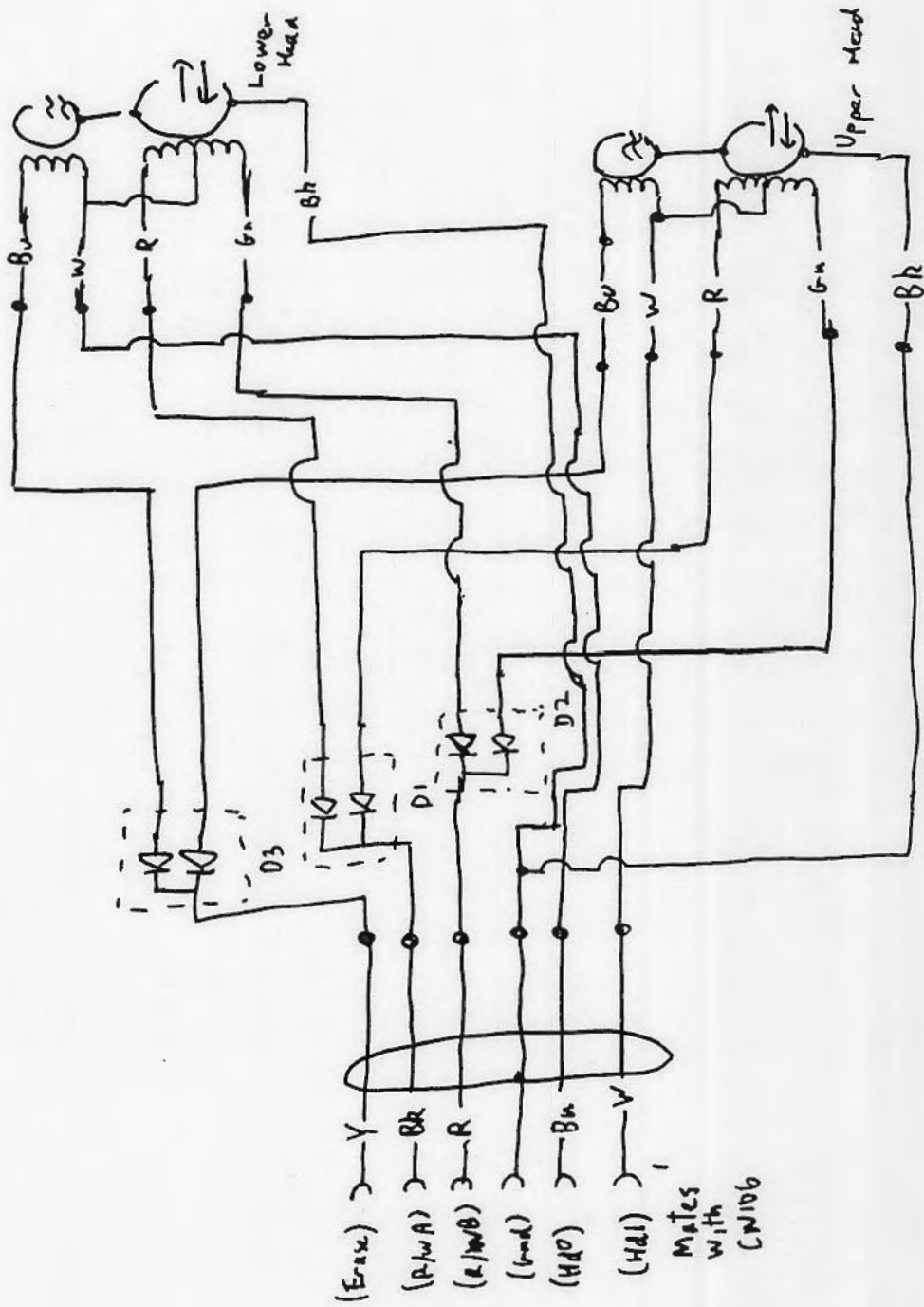
Spindle Speed

FG Amplifier





Sony Floppy Drive Spindle Motor Sheet ③



Sony Floppy Drive Double-Sided Head