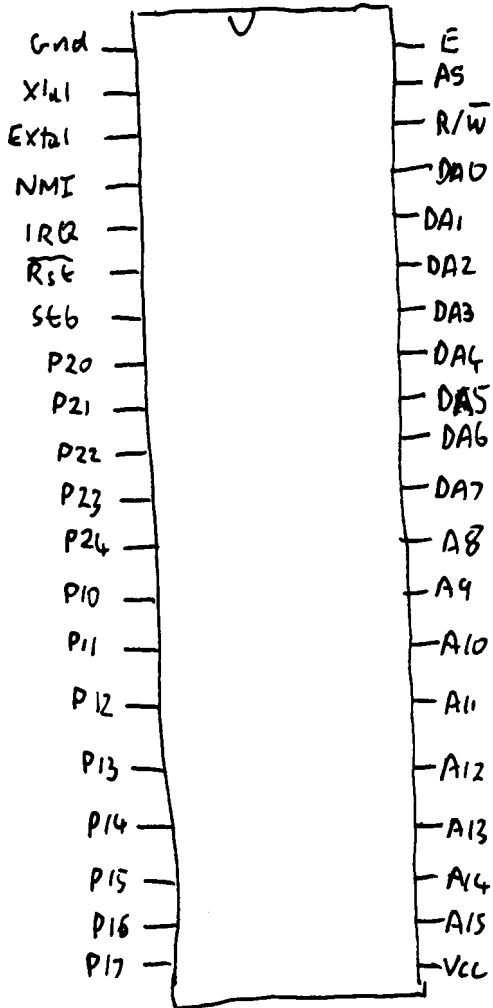


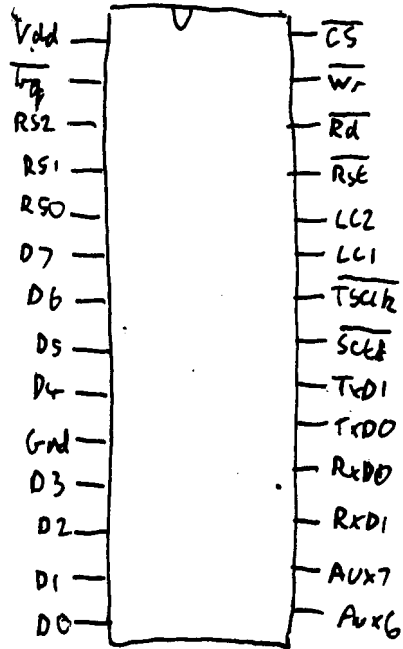
Microcontroller

6301



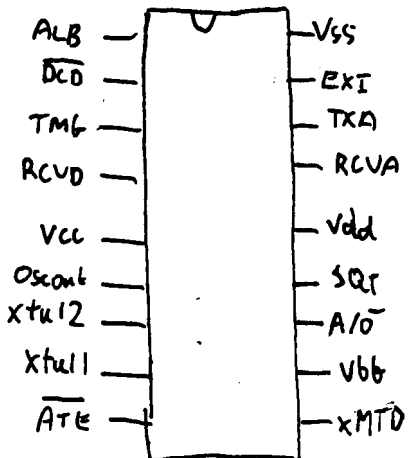
HPIL Interface

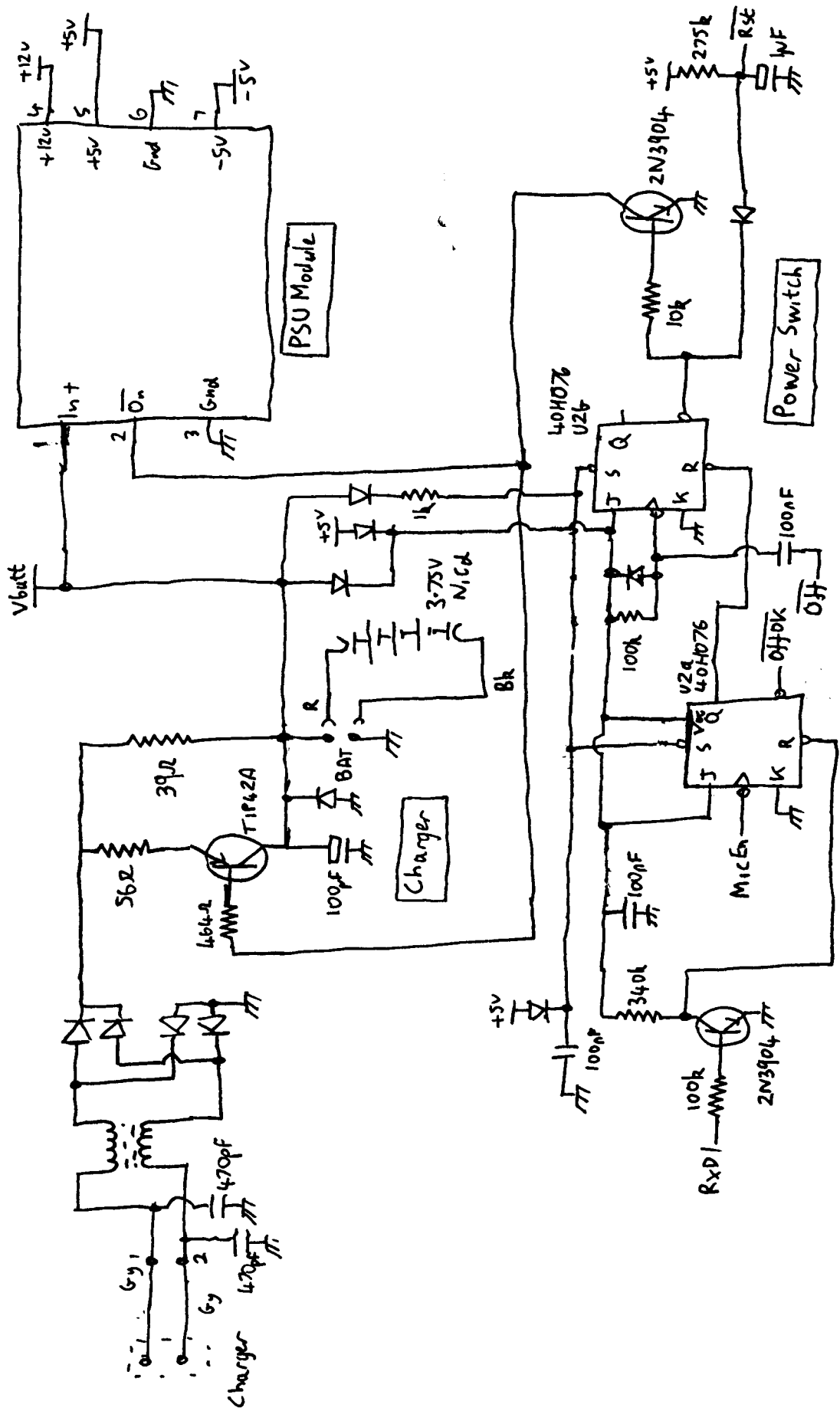
1LB3-0003



Bell 103 Modem

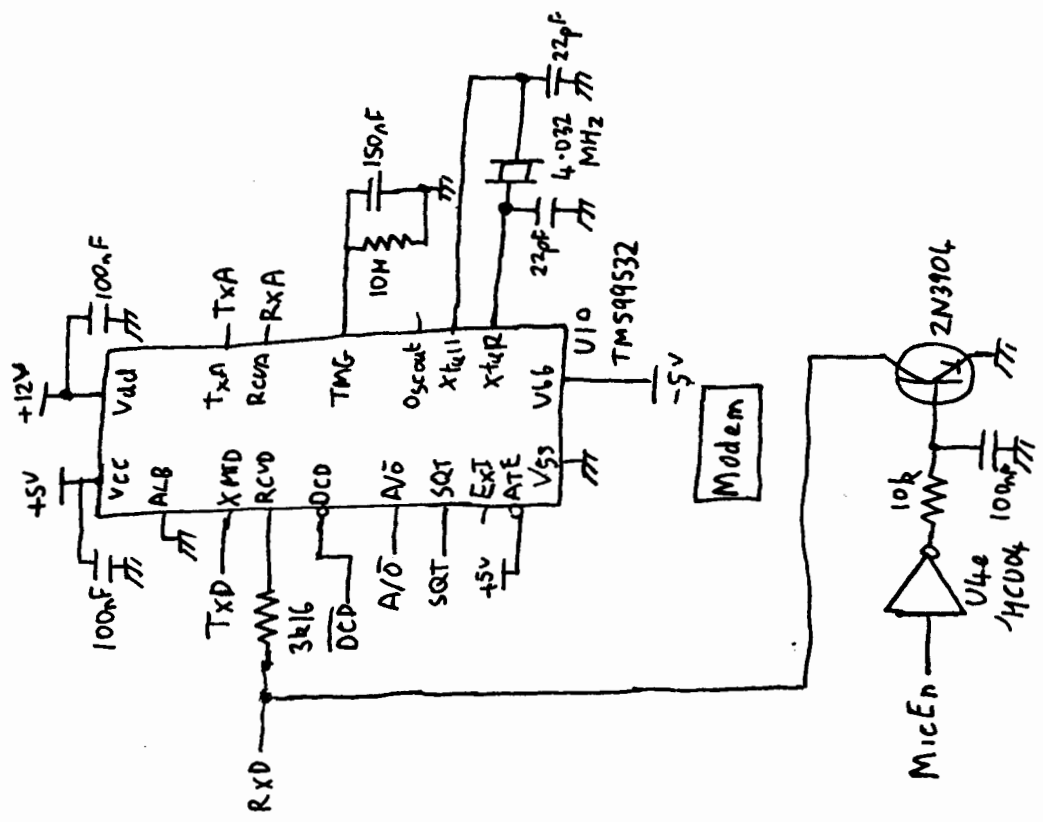
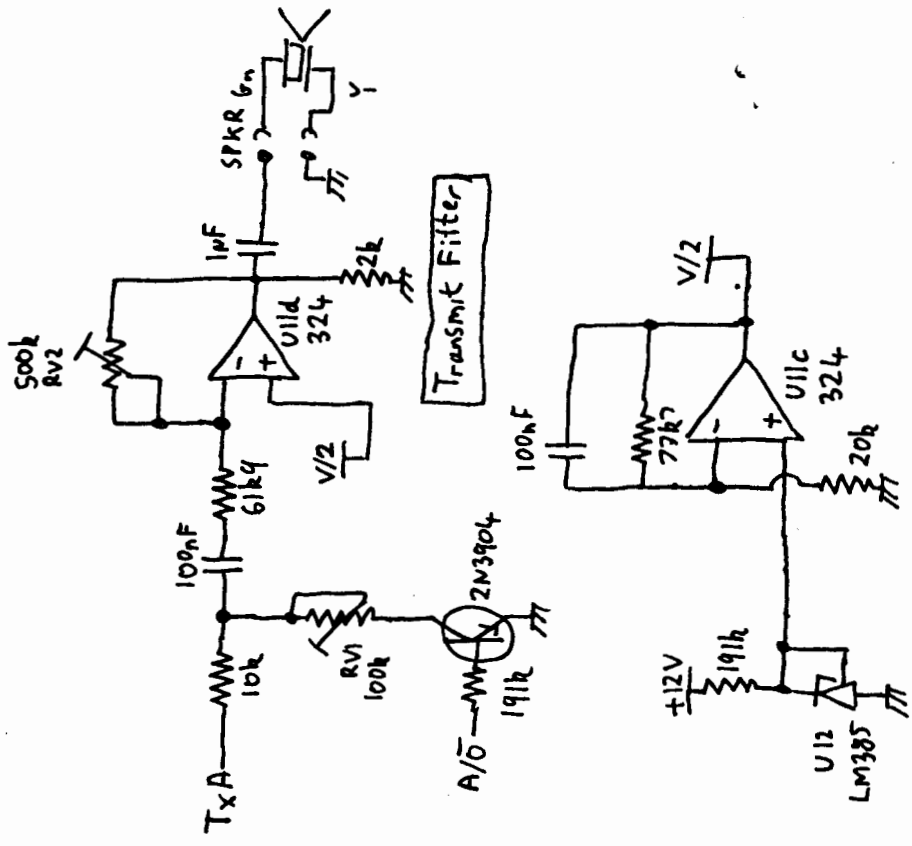
TP9549532A

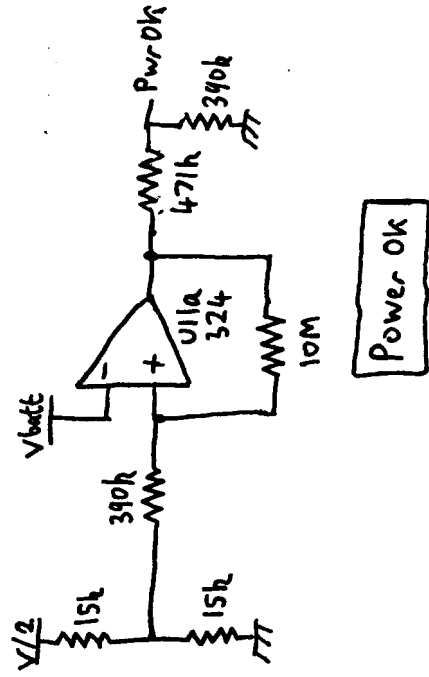
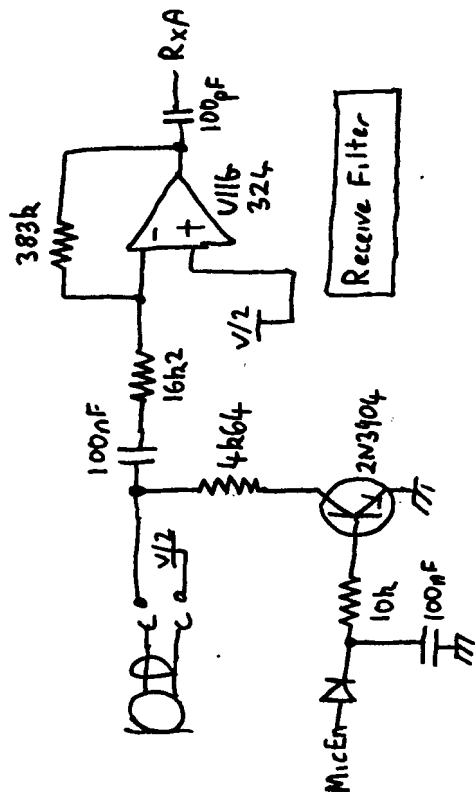












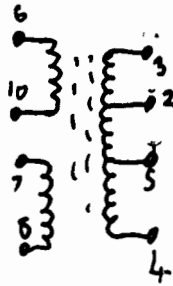
Power Ok

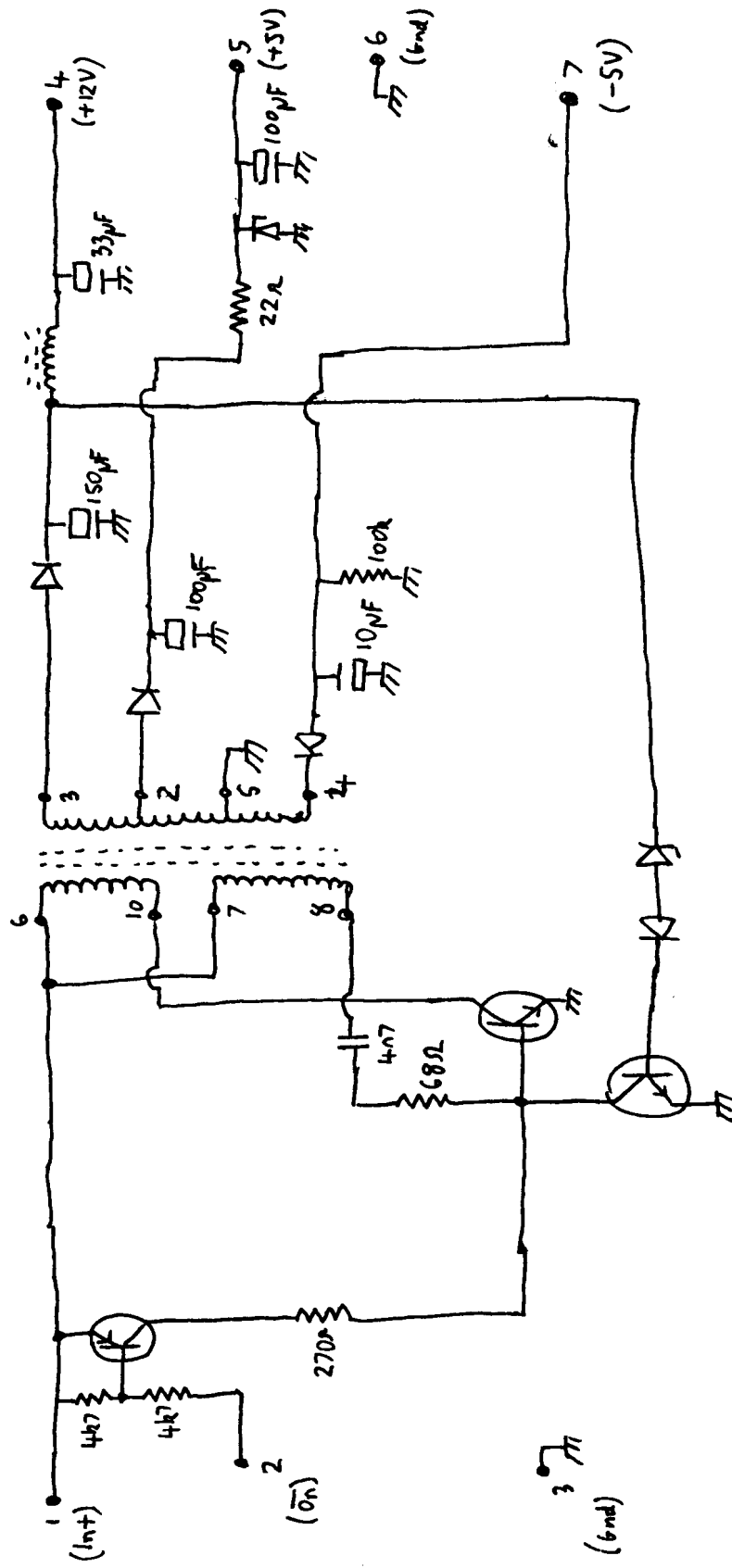
HP82168 Modem

PSU Module

- 1 In+
- 2 On/off
- 3 Ground
- 4 +12v
- 5 +5v
- 6 Ground
- 7 -5v

Transformer





HP82168 Modem PSU Module PCB S013