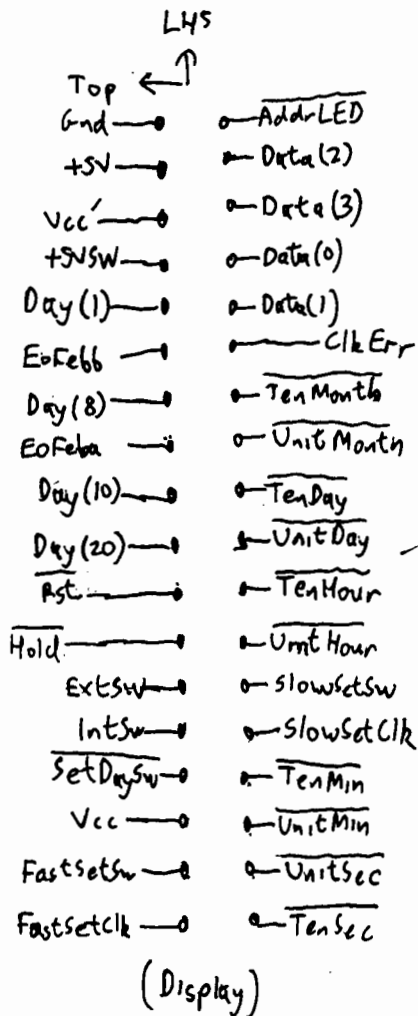
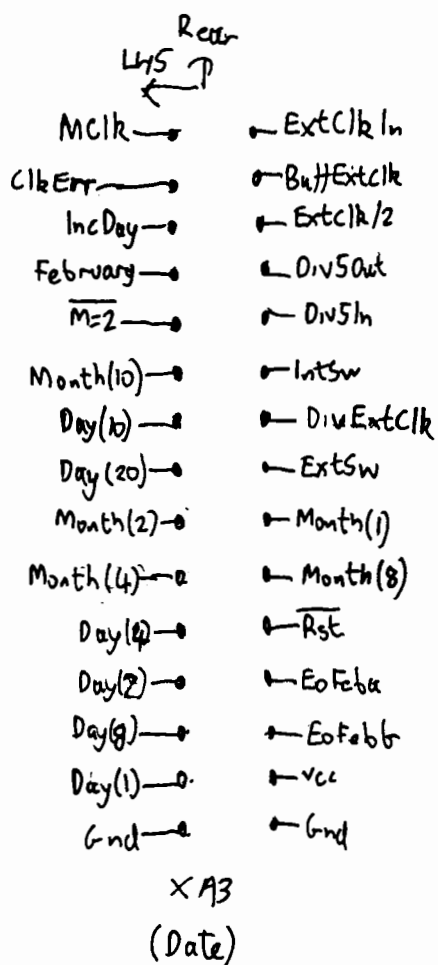


HPS9309 clock



Test points

Date PCB

- TP1: End of Month
- TP2: Inc Day
- TP3: Set ClkErr
- TP4: MClk

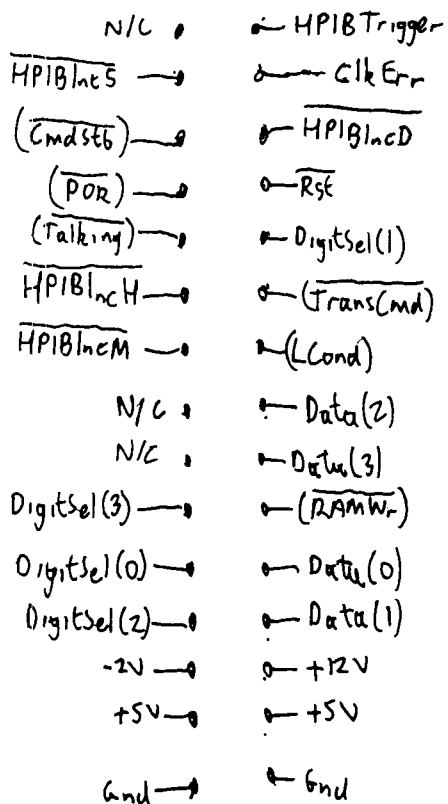
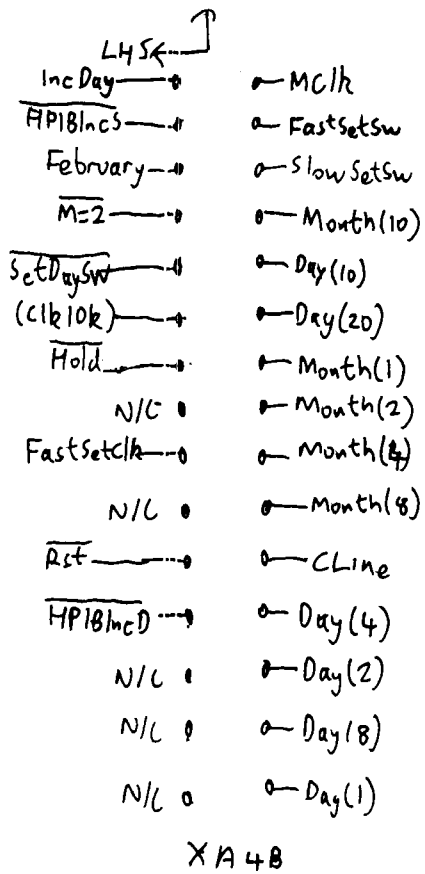
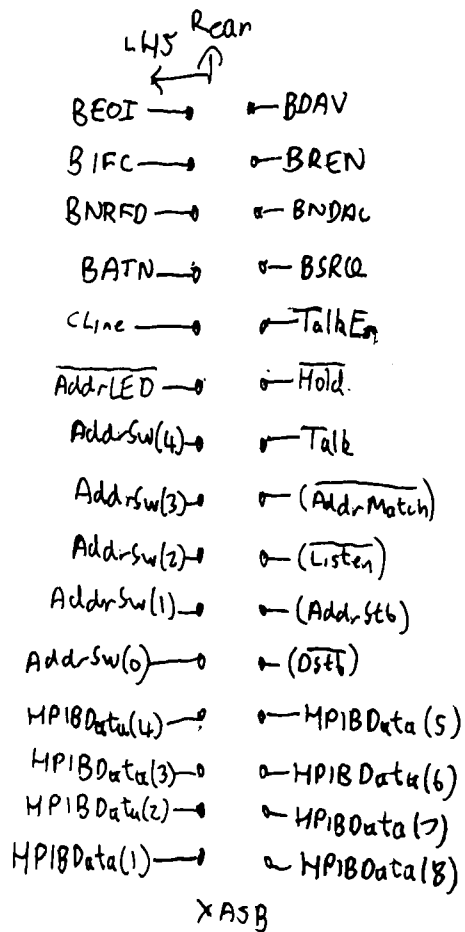
HPIB Interface PCB

- TP1: AddrSel
- TP2: ClkIn
- TP3: DSEb
- TP4: Addr Match

Time PCB

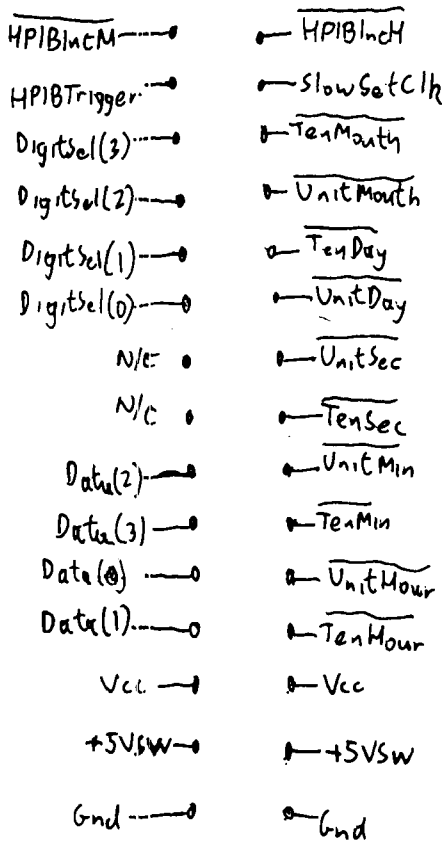
- TP1: IncS
- TP2: End of Day
- TP3: Rst
- TP4: Rst

HP59309 Clock Rear



X A 5 A

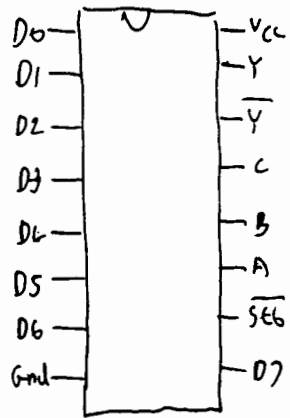
(HPiB Interface)



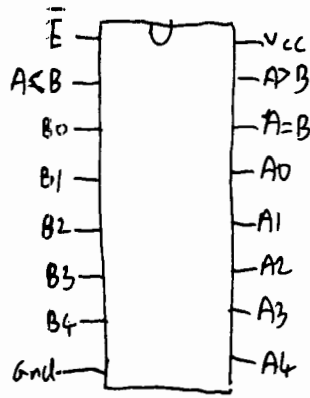
X A 4 A

(Time)

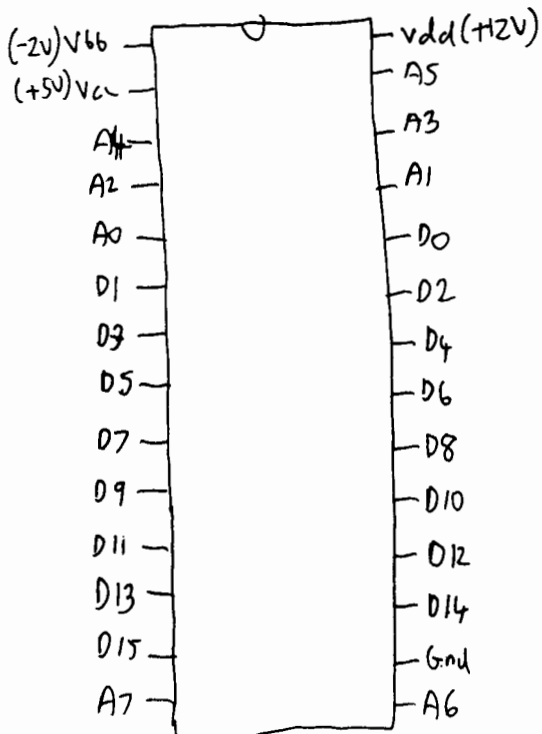
HPS9309 clock



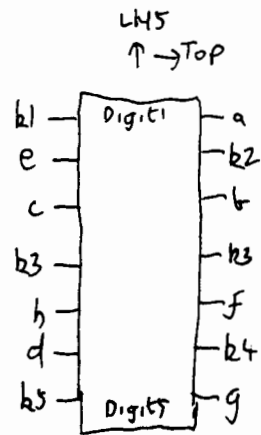
9312
8-Input
Mux



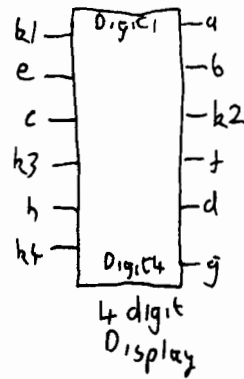
9324
5 bit Comparator



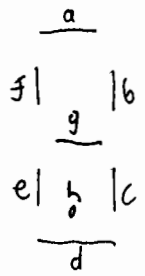
256x16
ROM
1818-2193

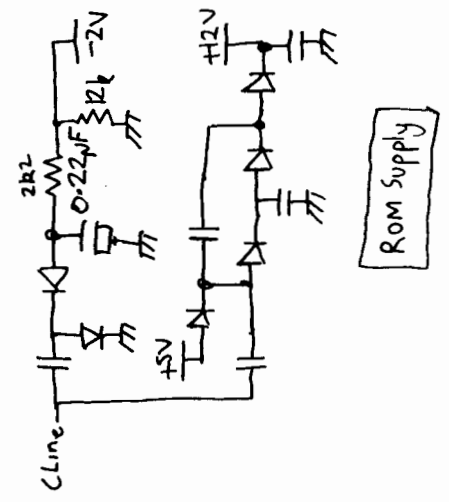
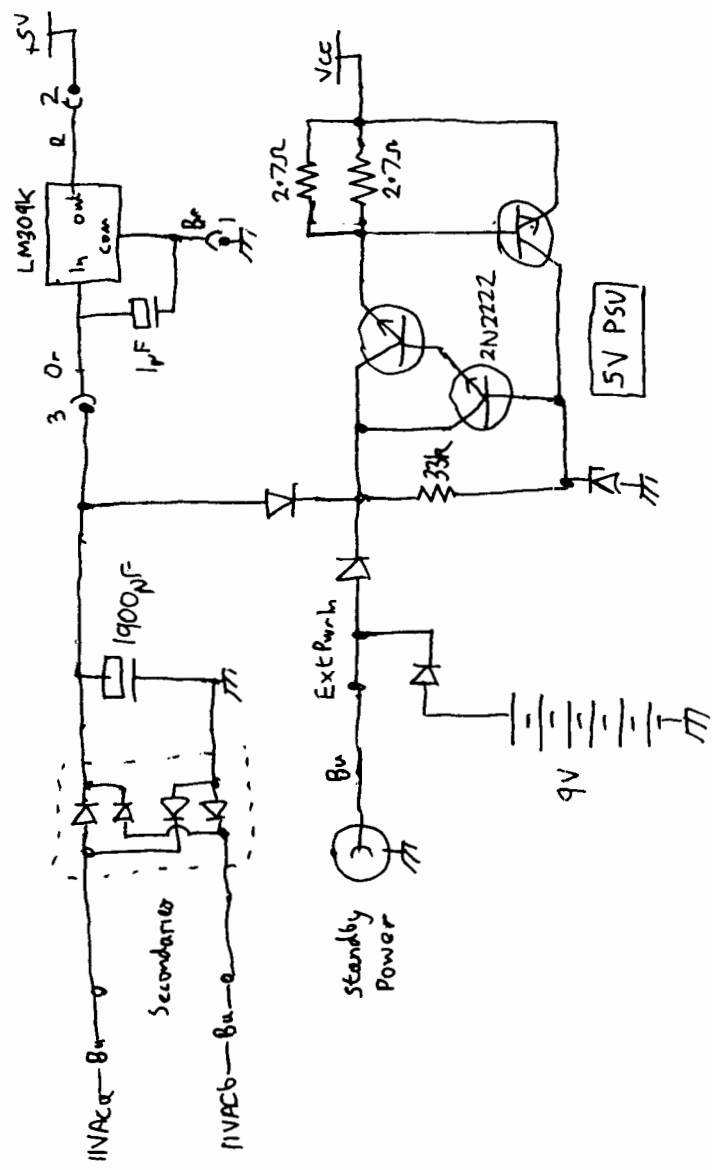
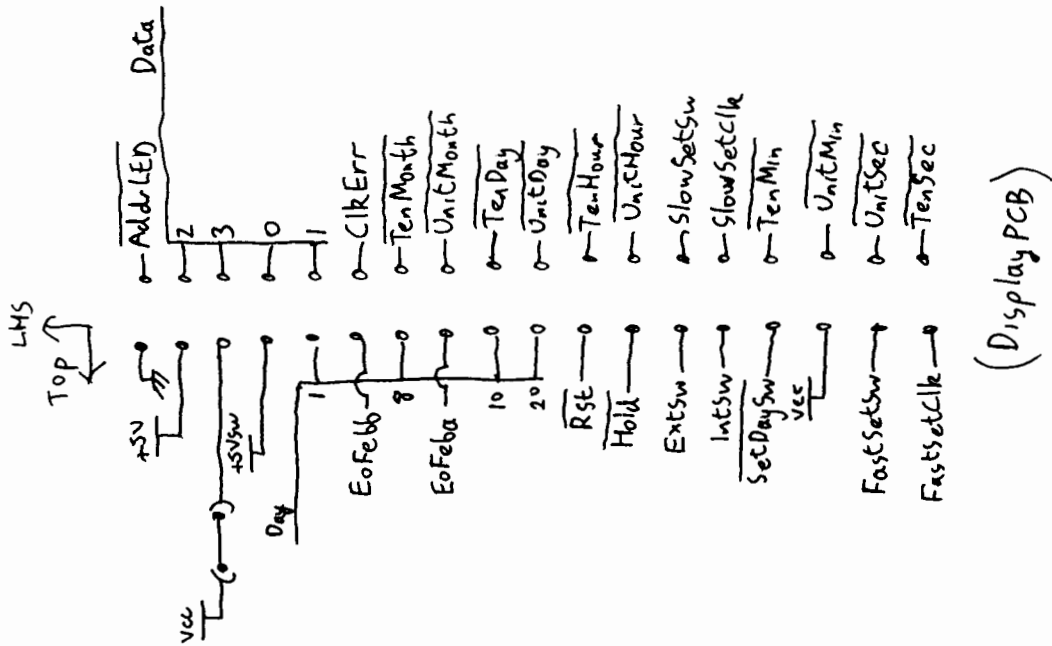


5 digit
Display

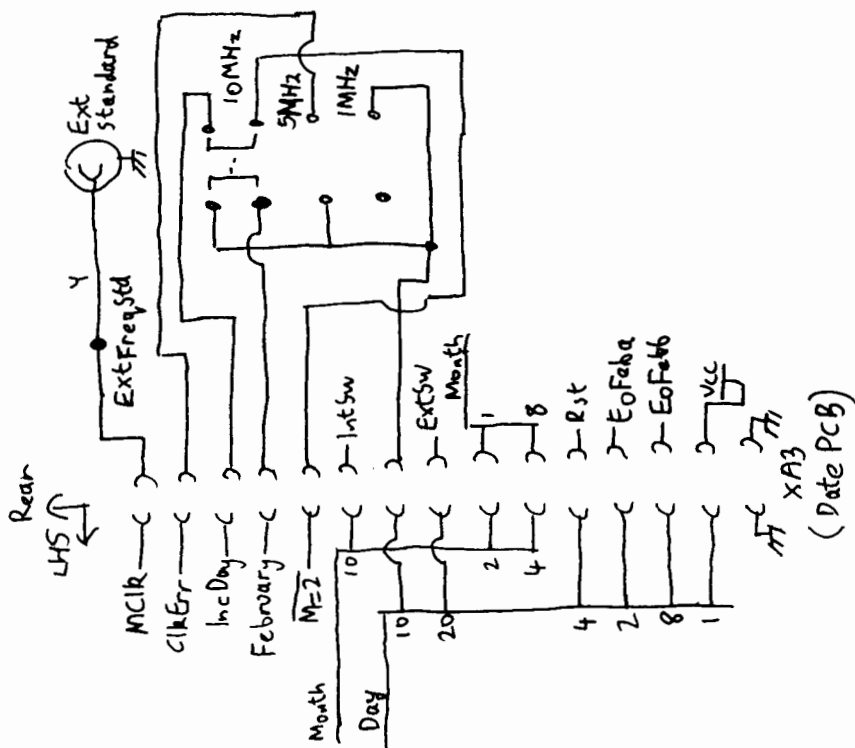


4 digit
Display

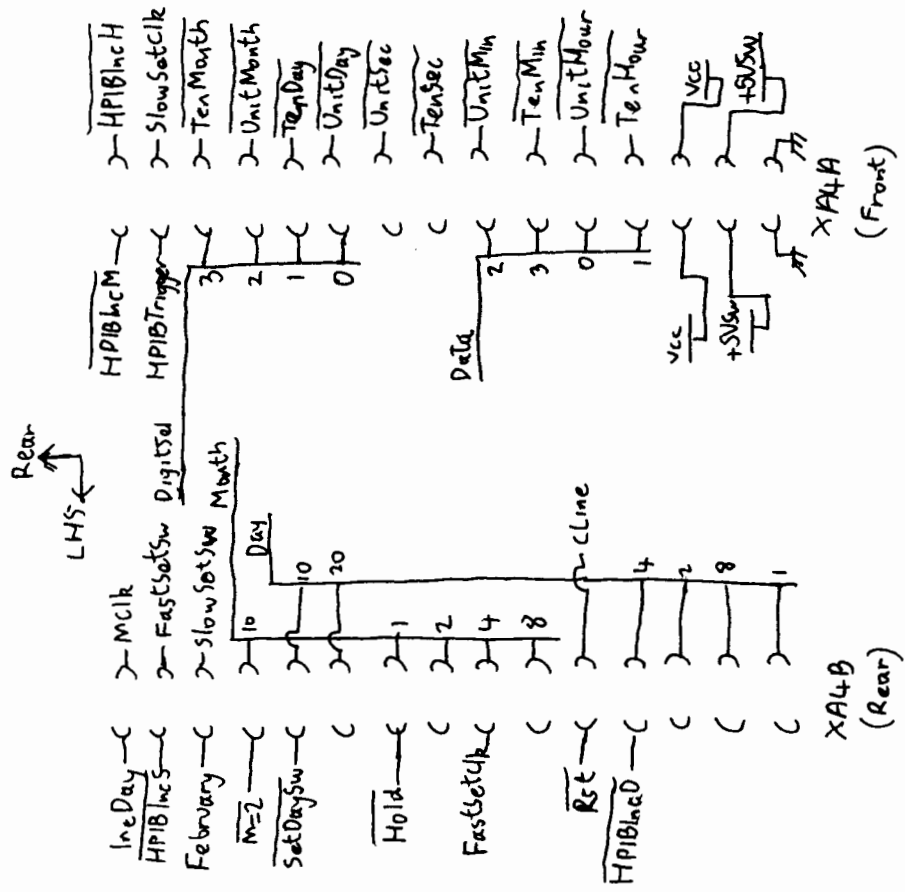




)

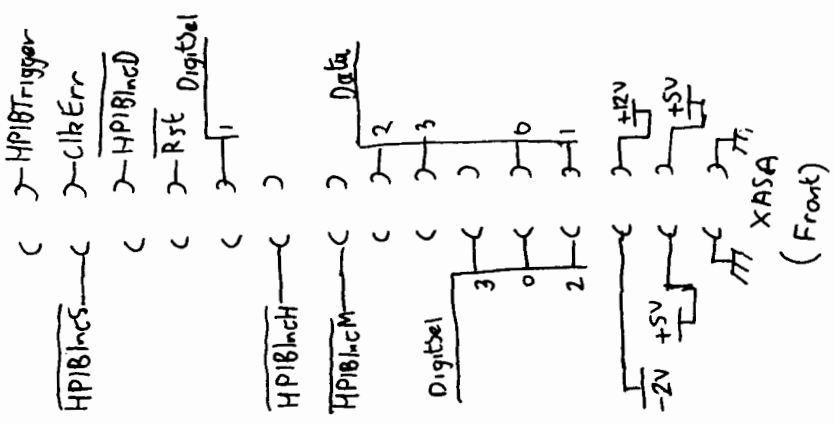
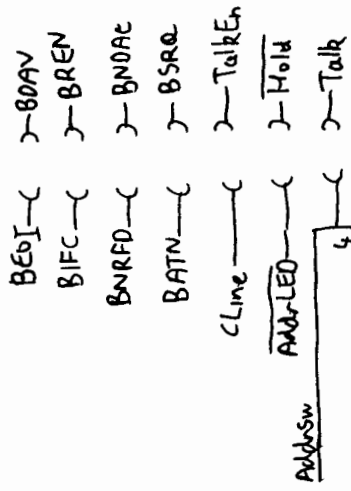


)

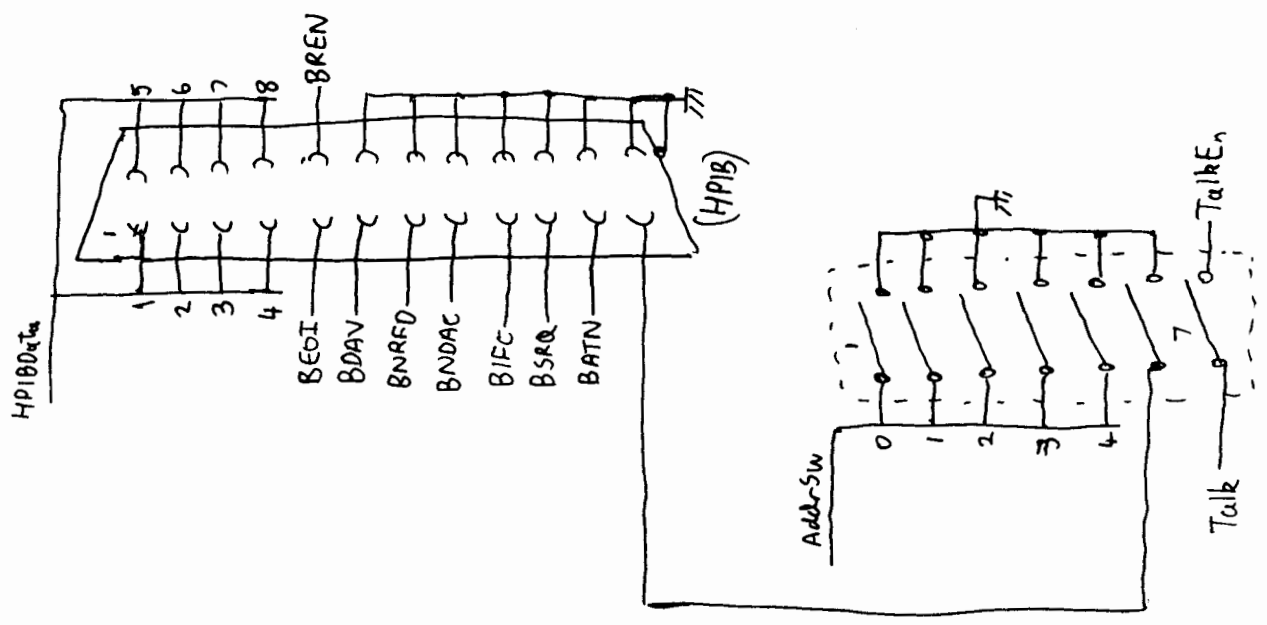


)

Rear
LHS

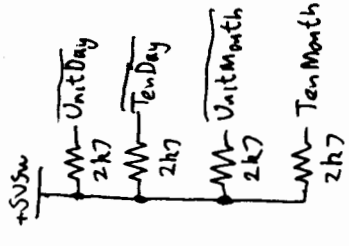
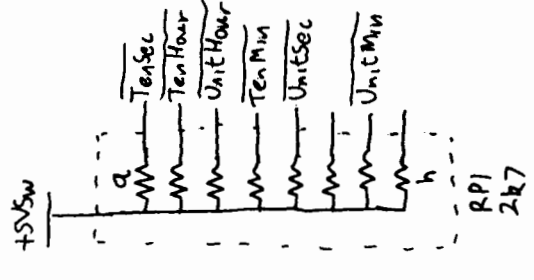
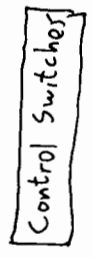
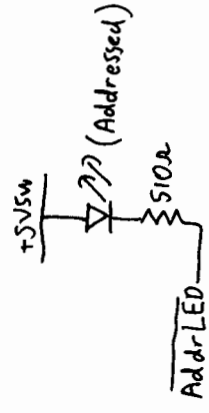
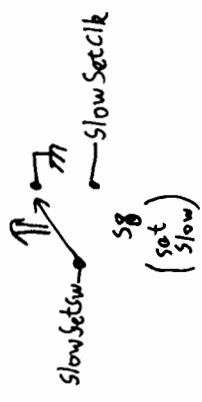
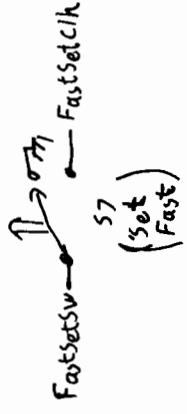
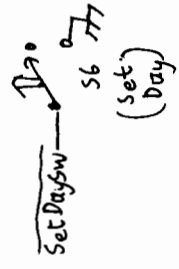
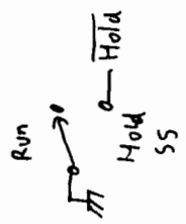
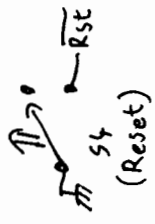
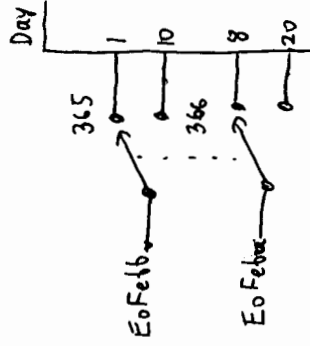
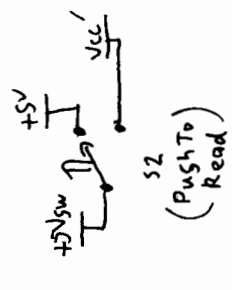
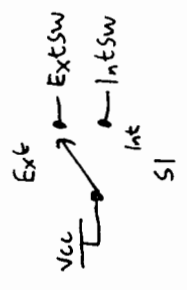
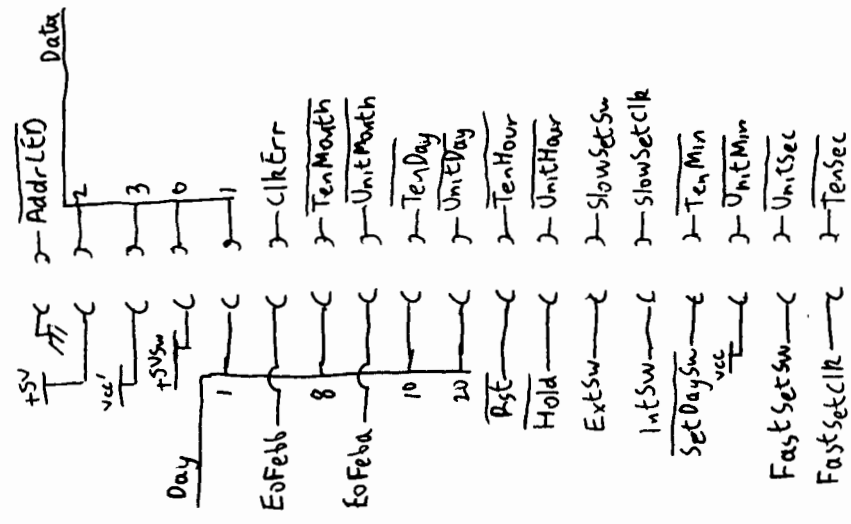


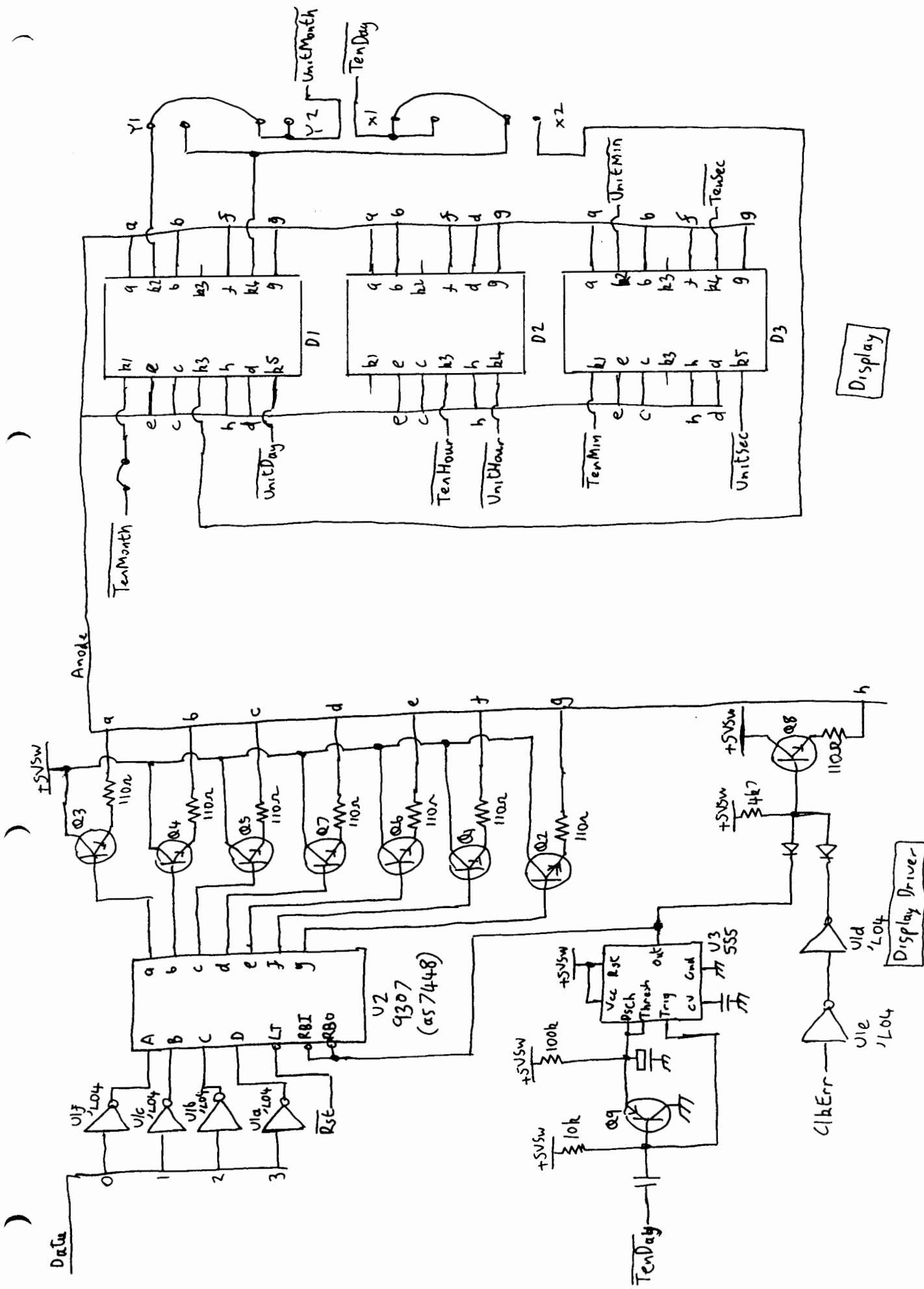
(HPiB Interface PCB)

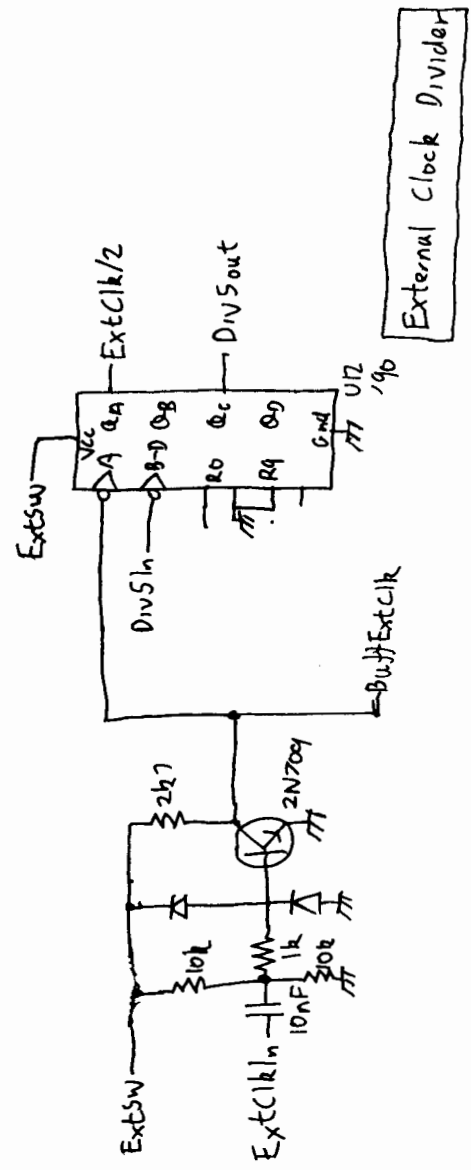
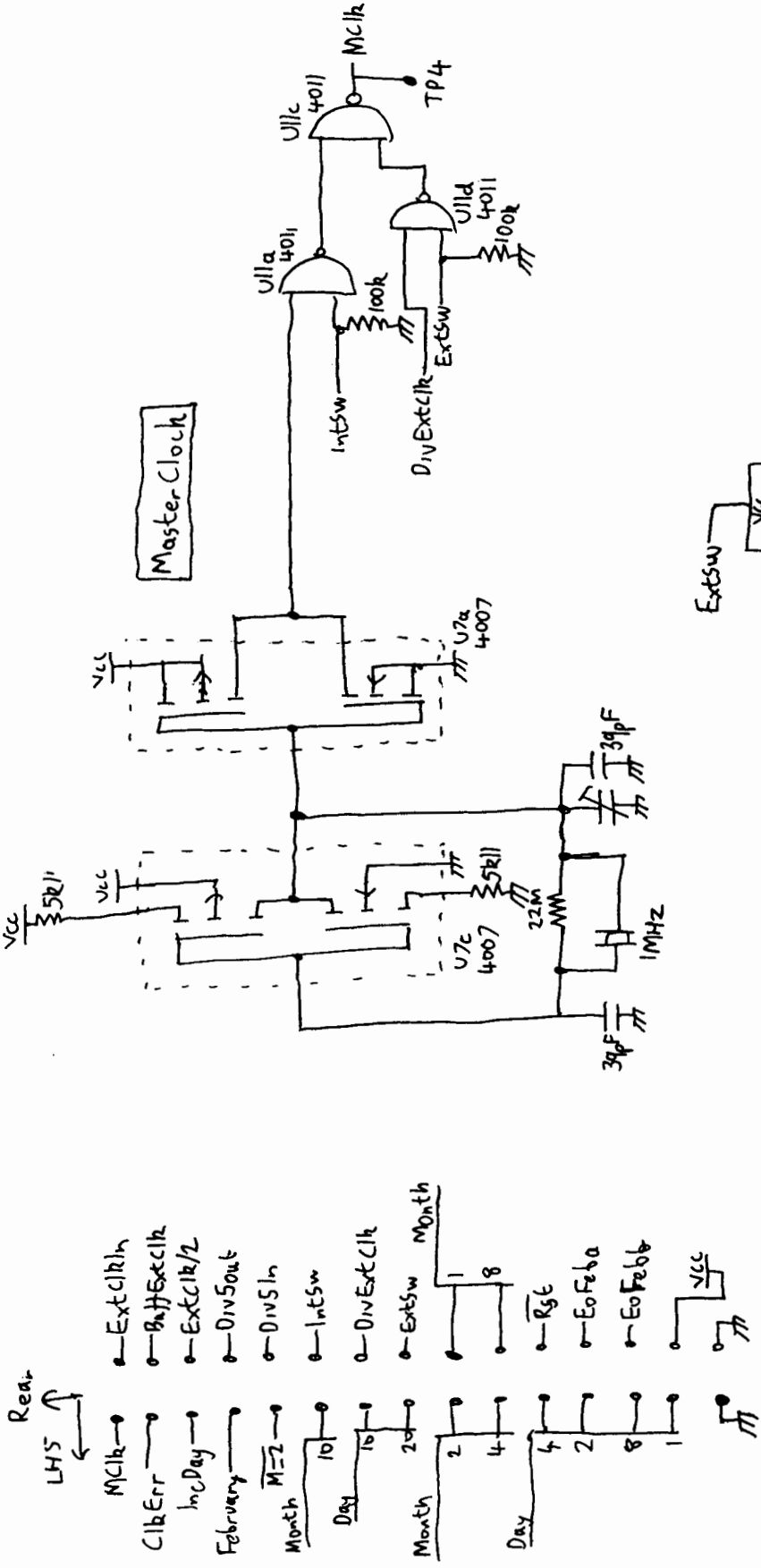


LHS

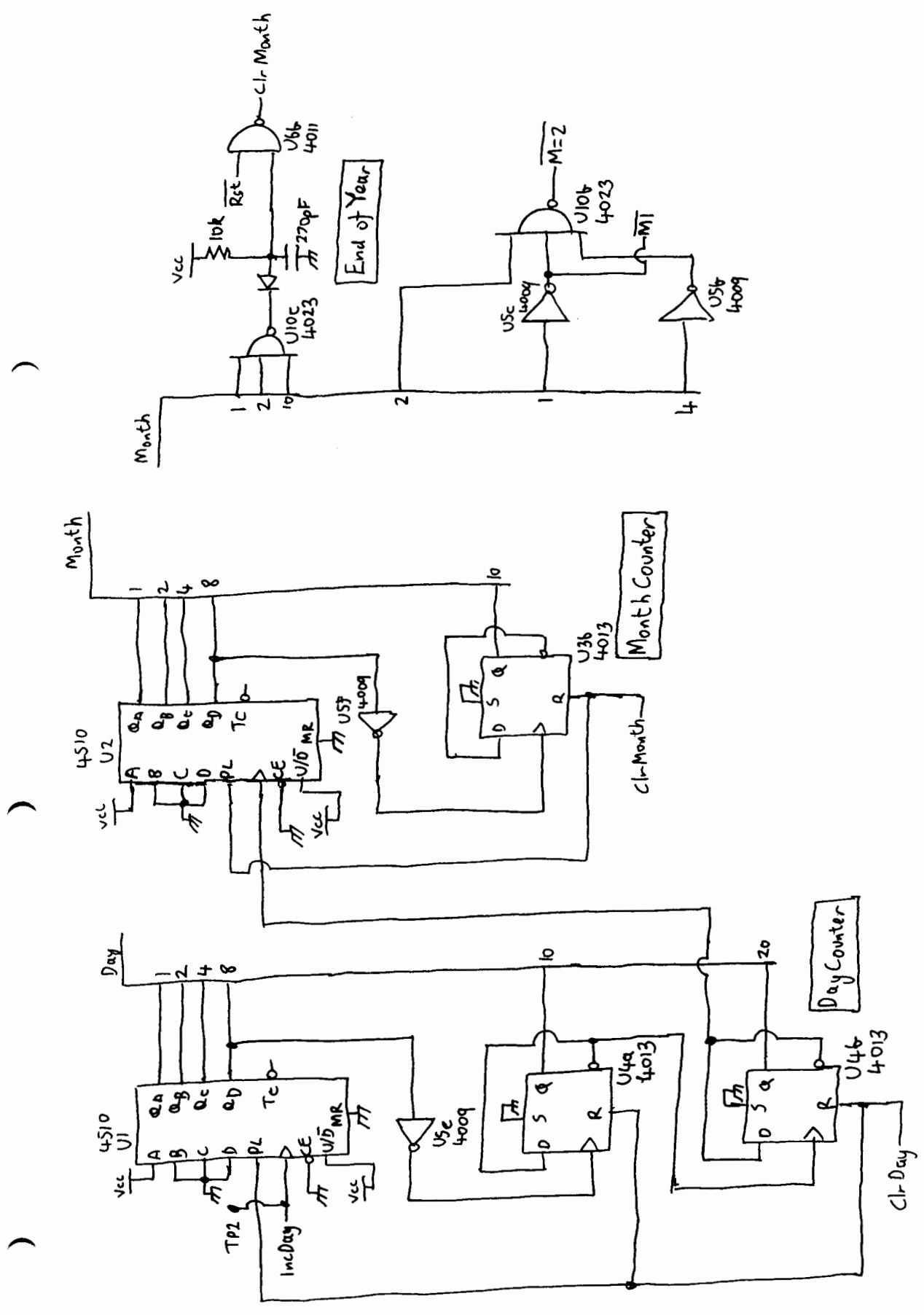
Top

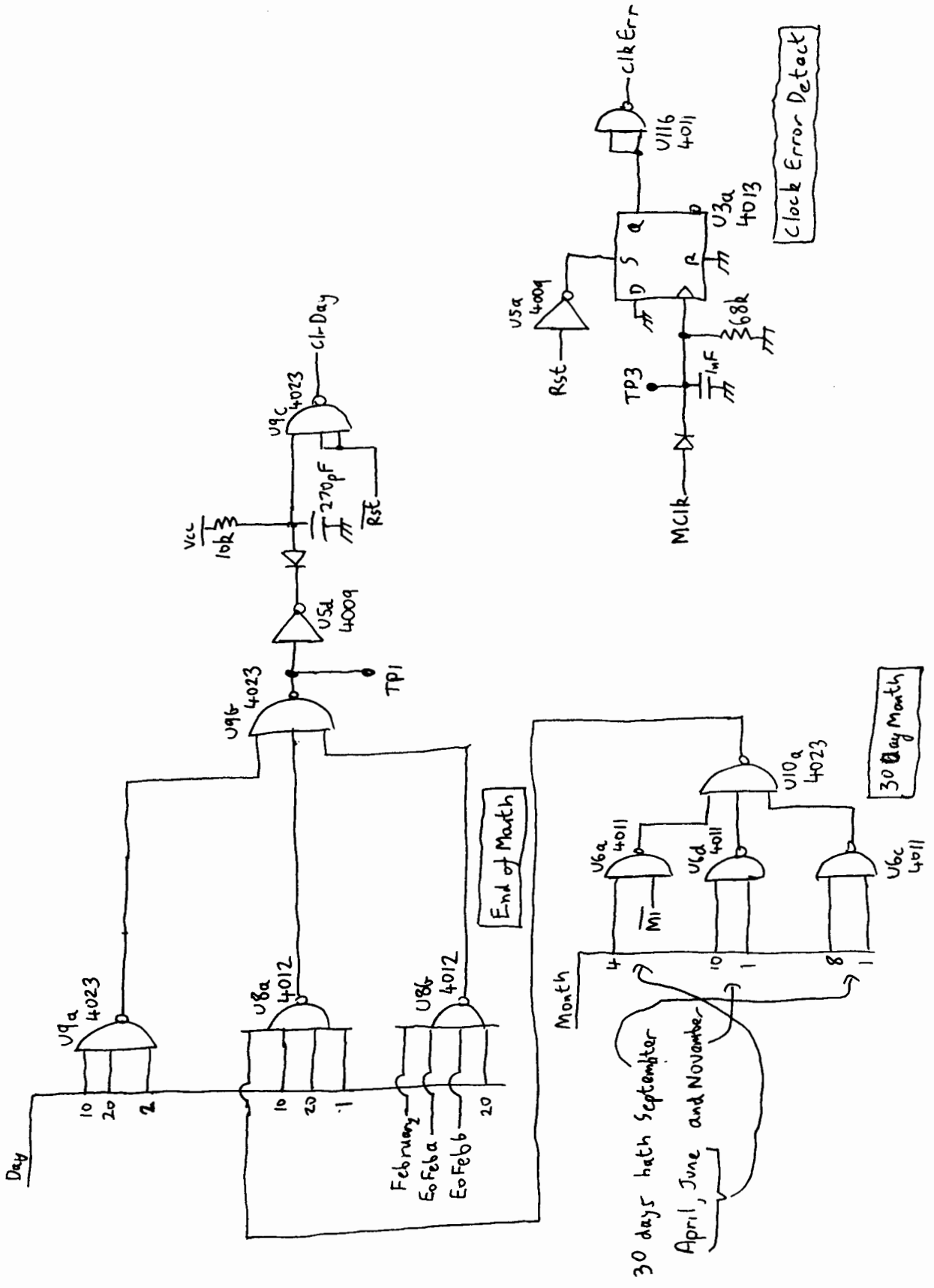


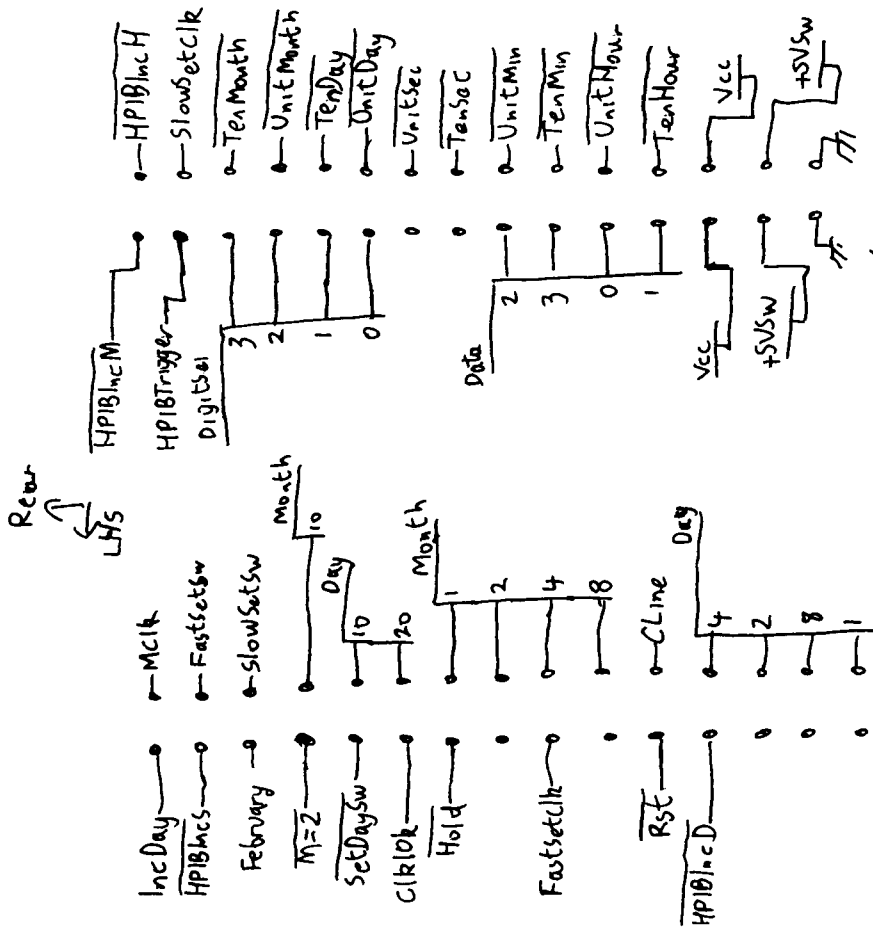




External Clock Divider

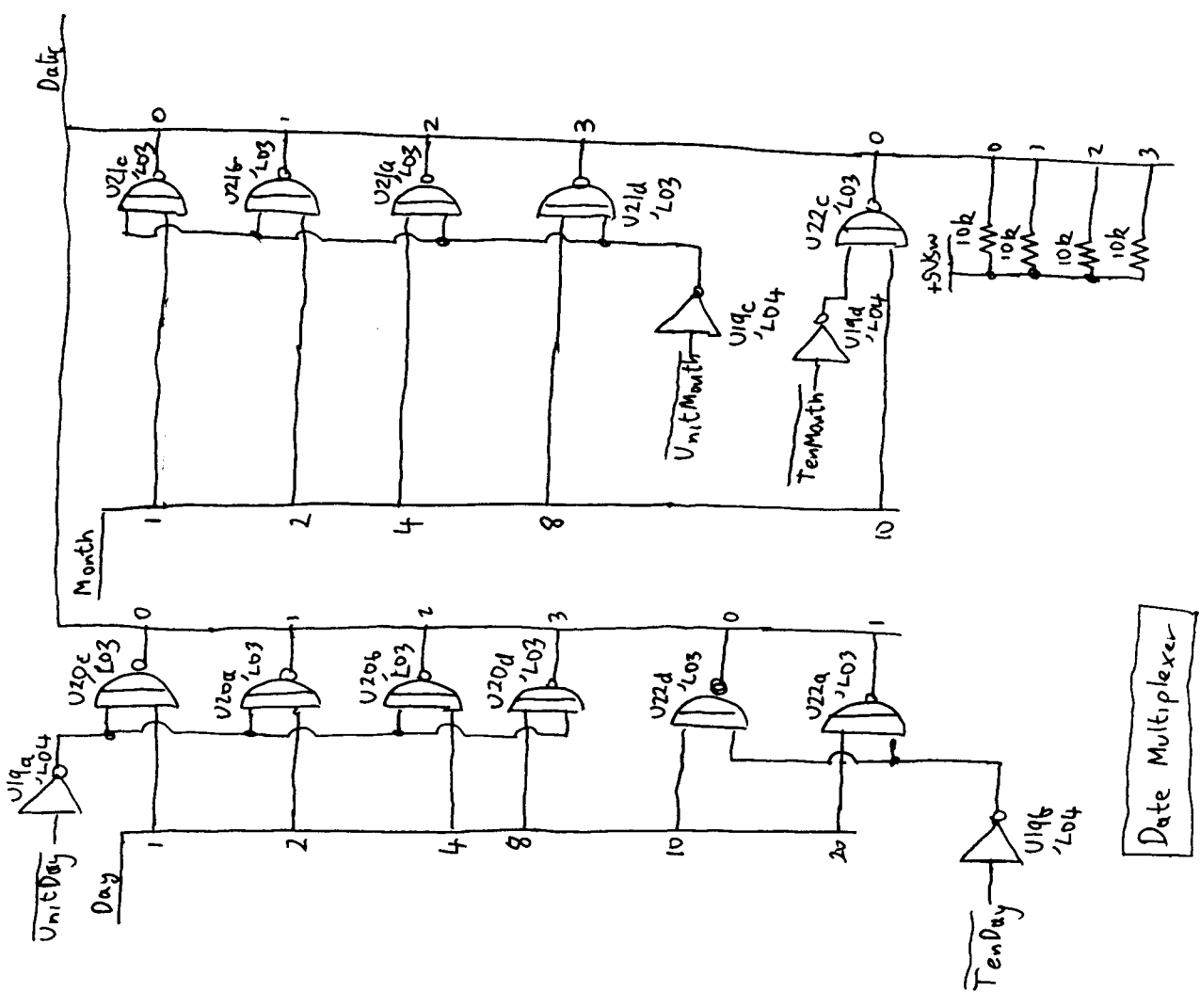
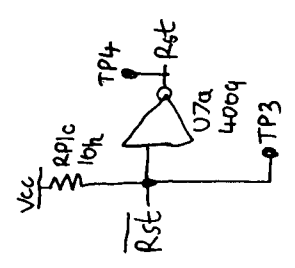




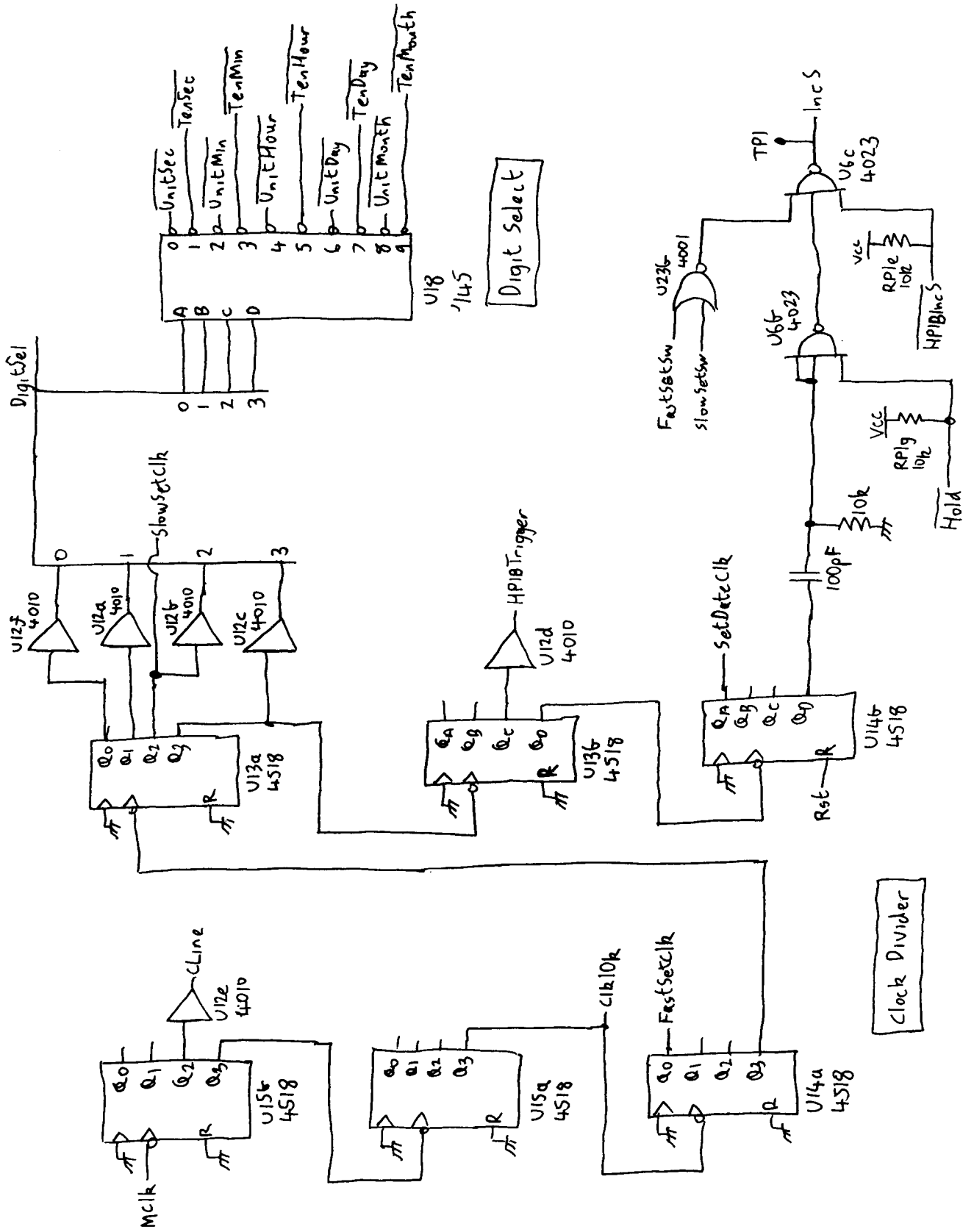


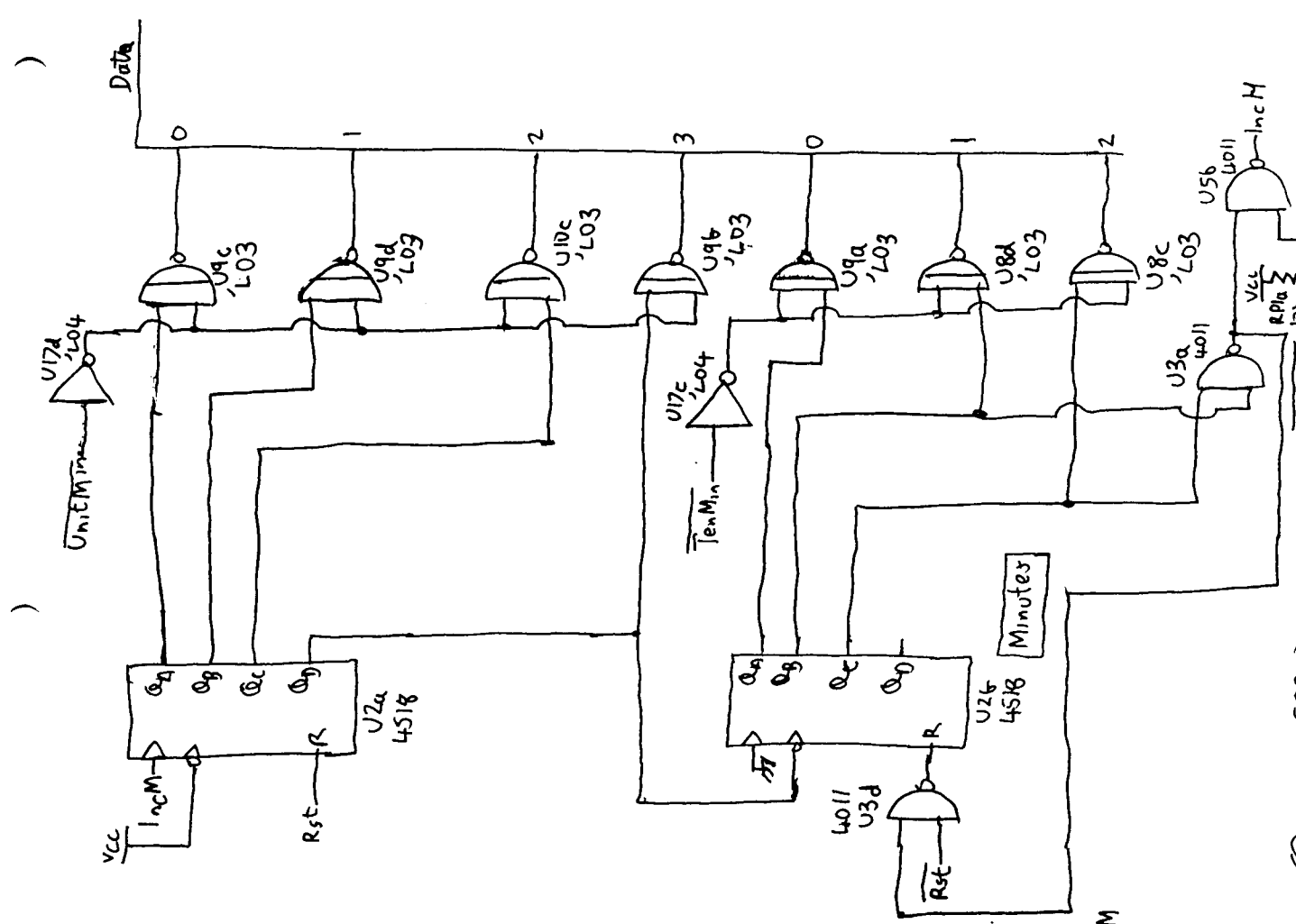
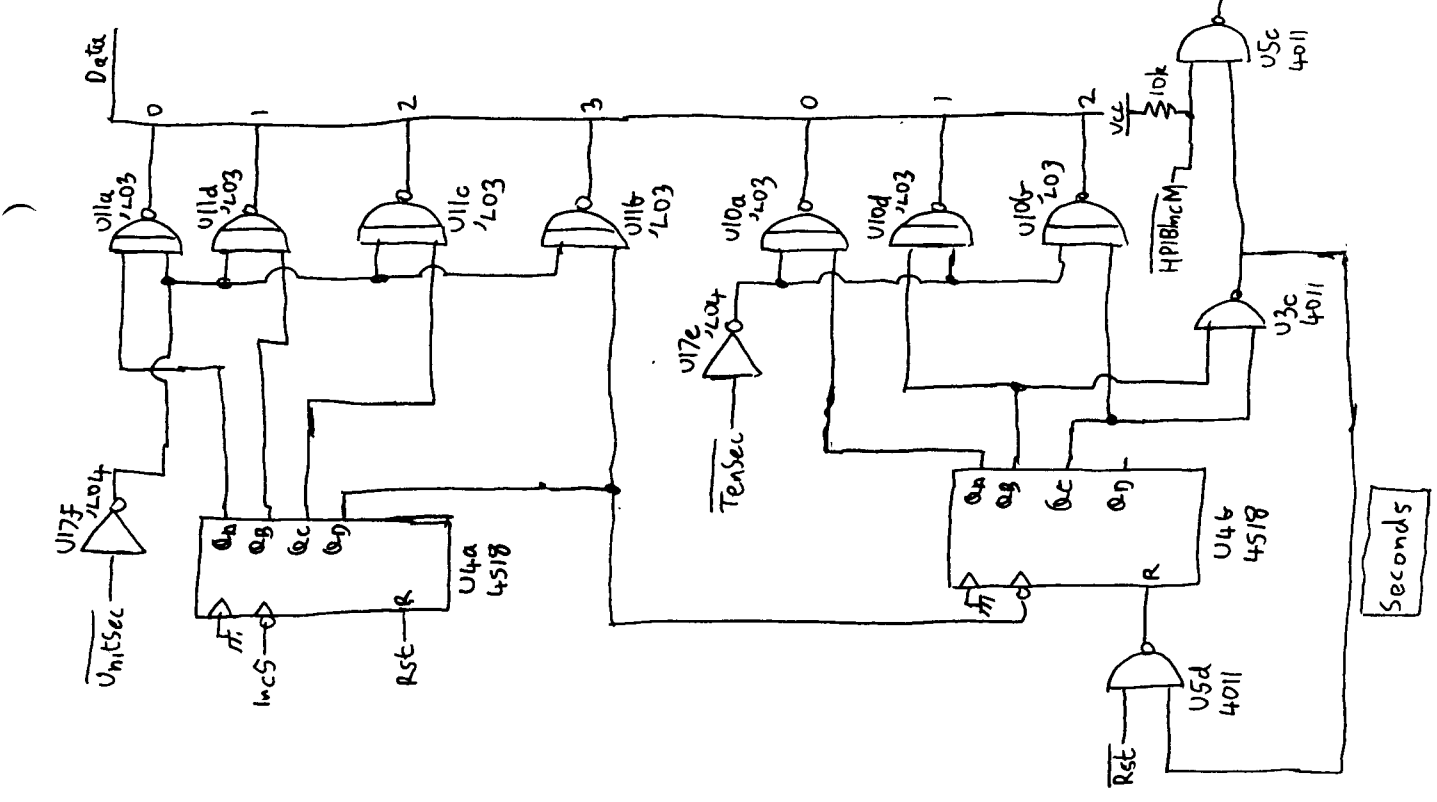
(Rear)

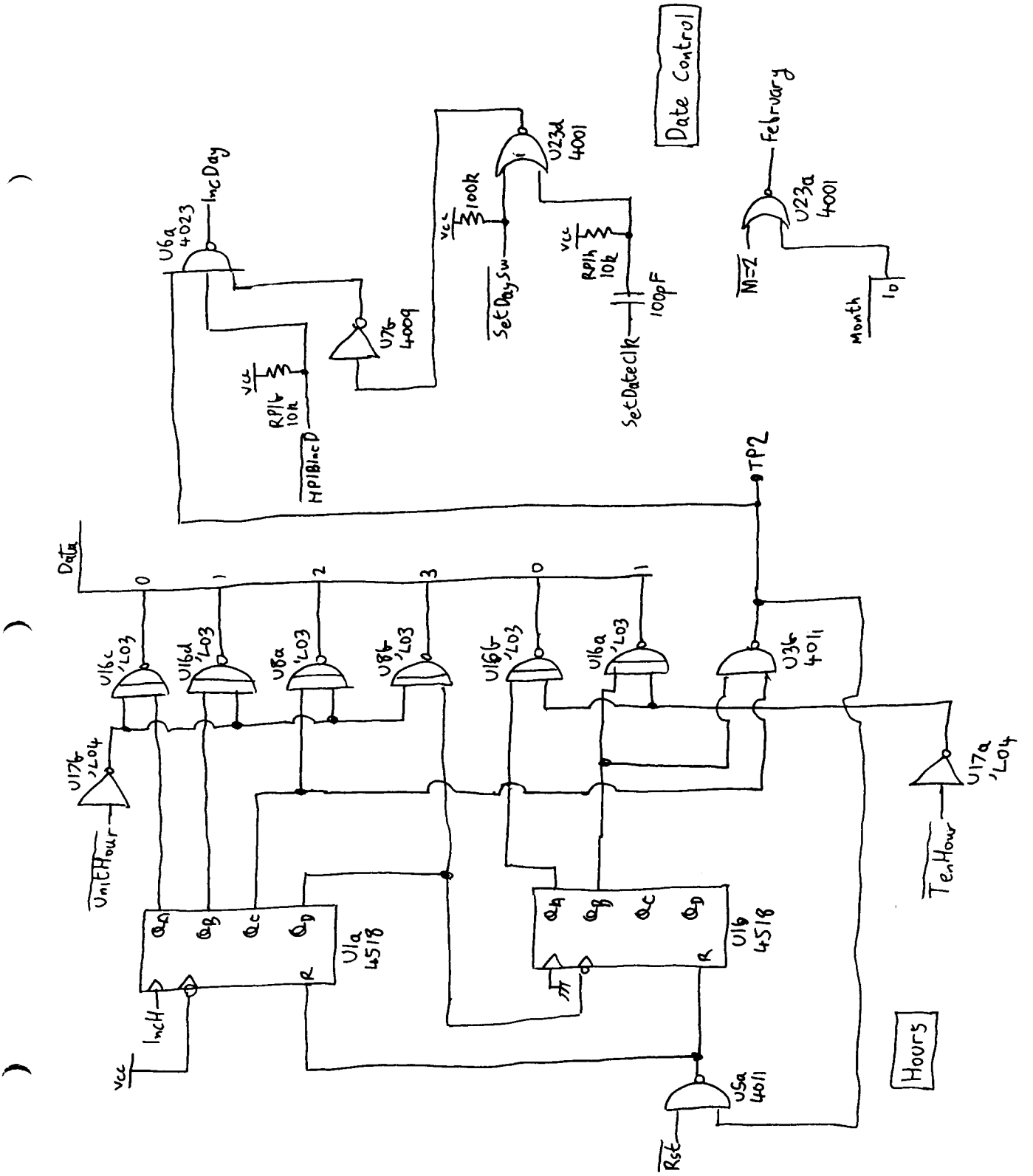
(Front)



Date Multiplexer

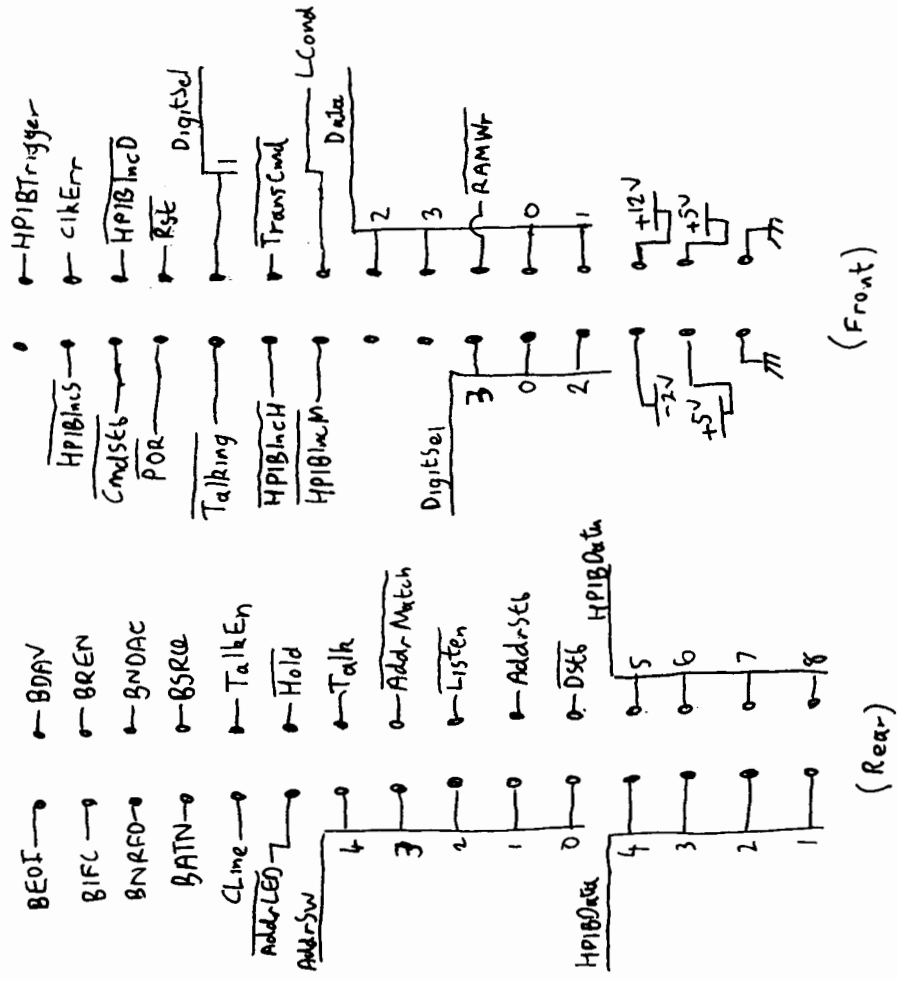






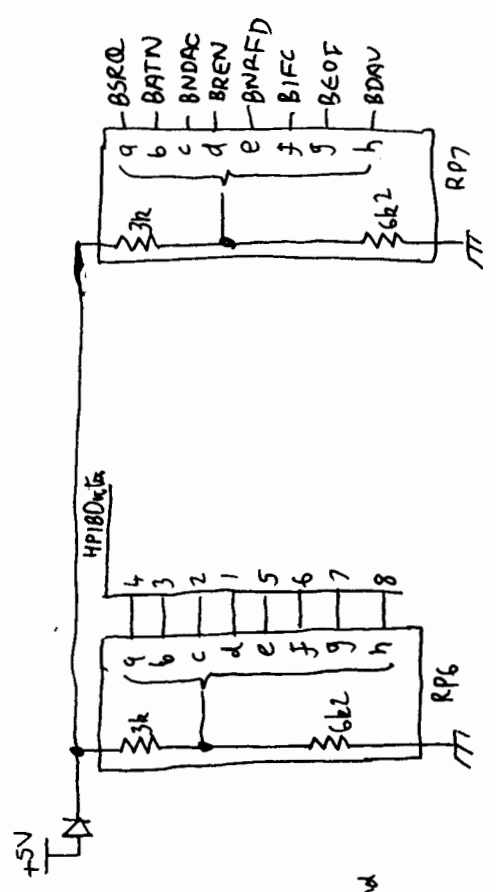
HP 59309 clock Time PCB SL-1 (1) 59309-6000

Rear
LHS ←

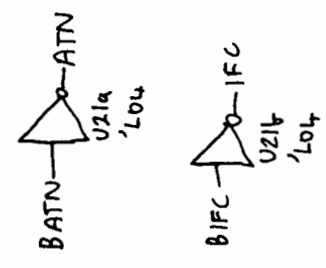


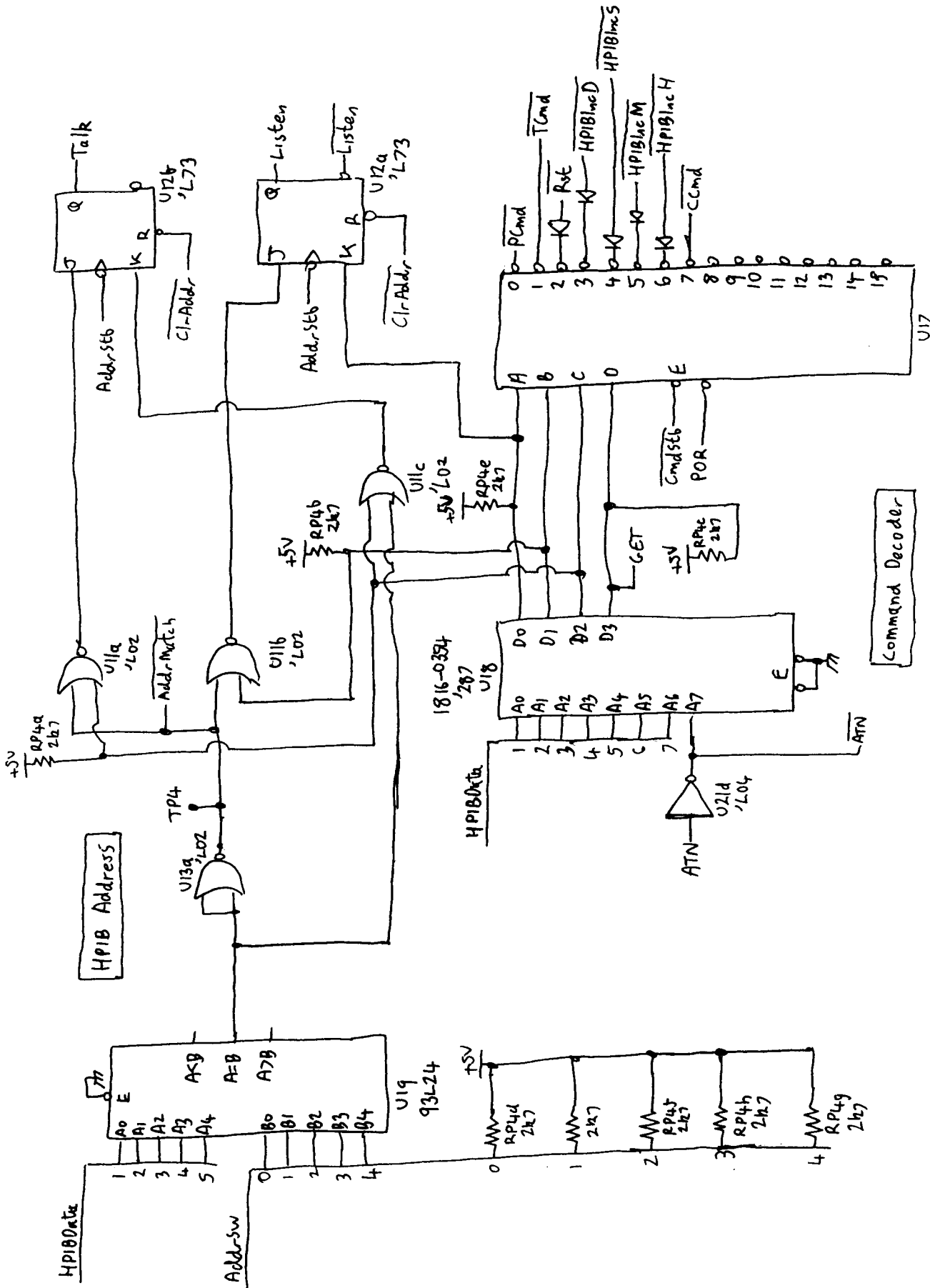
(Front)

(Rear)



HP1B Termination





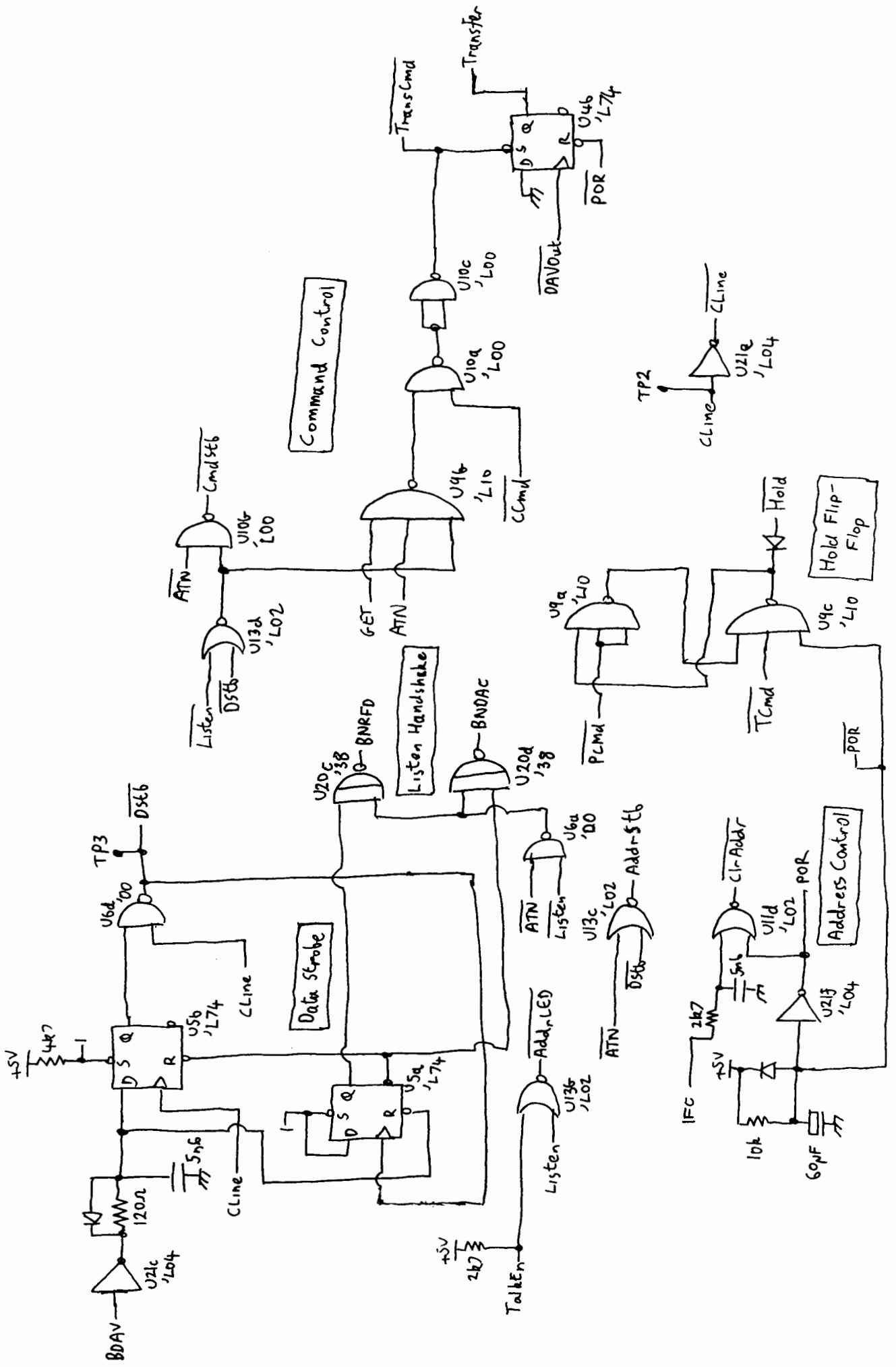
U17
93L11
(AS/154)
59309-60005

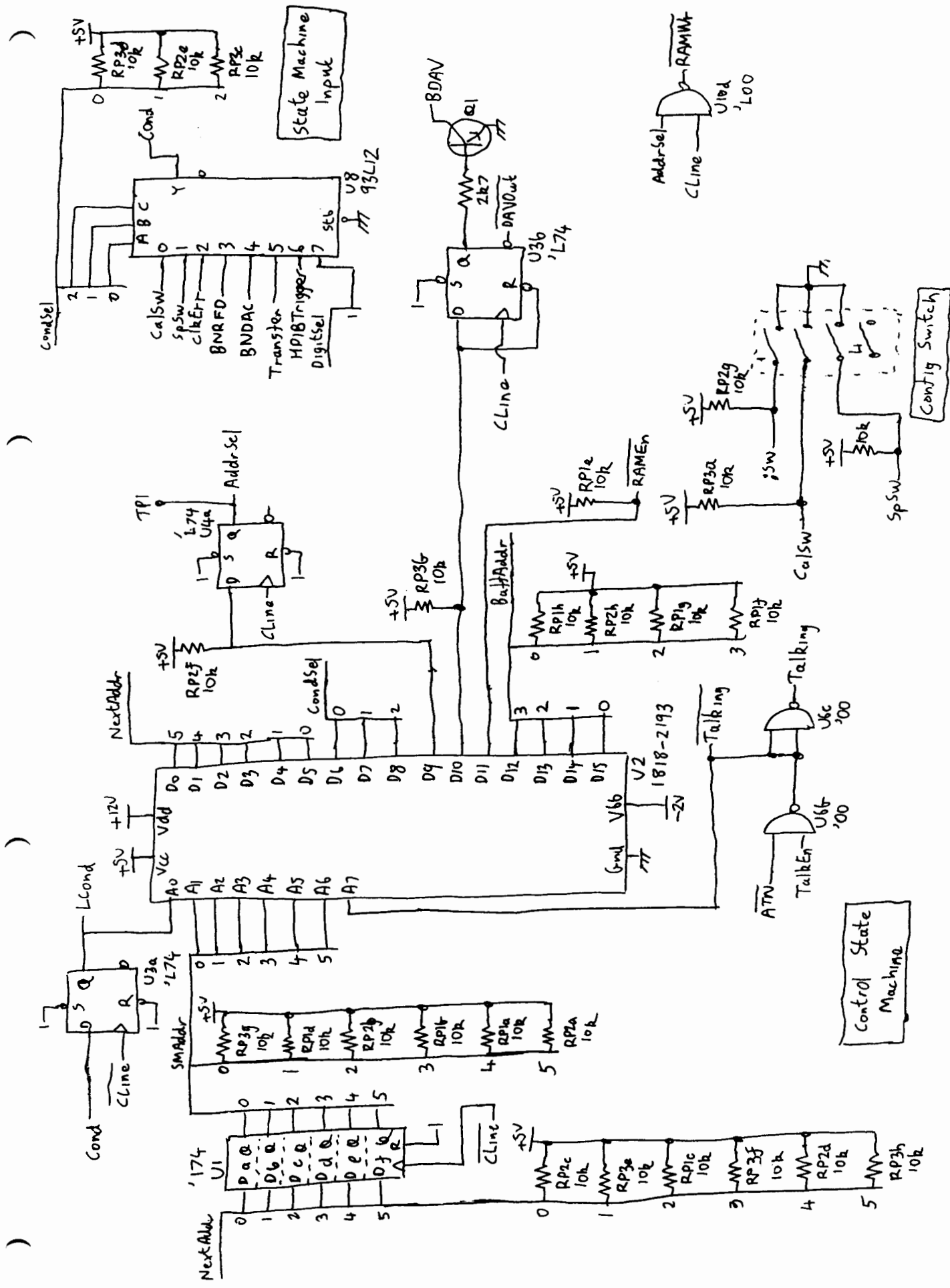
U18
1816-0384
U18

U19
93L24

U11a, U11b, U13a, U12a

RP44, RP45, RP46, RP47





HPS0200 Cl... HPIB Interfac... PRA SLT... 89100-0000

