

HP92

LHS
↑

o-V99 } Testpoint
o-02 }
o-01 }

o-Vbut
o-Vbut
o-Vcc
o-Vcc
o-Vcc
o-Vcc
o-Vehoryc
o-Mansw
o-Normsw
o-365Sw

o-EndSw
o-SwCom
o-SH
o-SG
o-SF
o-SE
o-SD
o-SC
o-SB
o-SA

o-Gnd
o-Gnd
o-RCD
o-STR
o-KE4
o-KE3
o-KE2
o-KE1

Logic → Keyboard/Display
Pins

LHS
↑

o-Vcc
o-Vcc
o-Gnd
o-Gnd
o-Fnd
o-REV
o-Brk
o-R7
o-R6
o-R5
o-R4
o-R3
o-R2
o-R1
o-VM
o-VSS
o-PrtStb
o-LC1
o-LC2
o-HomeSw
o-OOPS

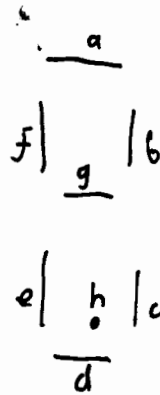
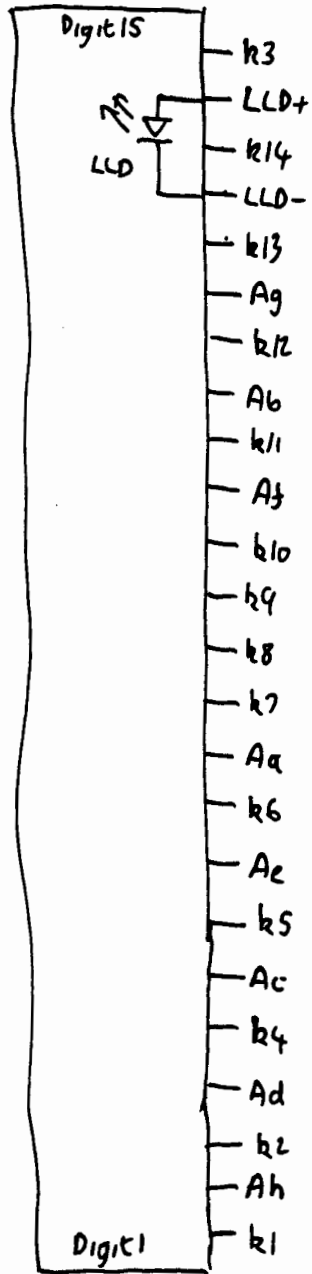
Logic → Printer Pins

REAR
↑

o-Sync
o-F2
o-ISA (to mem)
o-Data
o-ISA (to ACT)

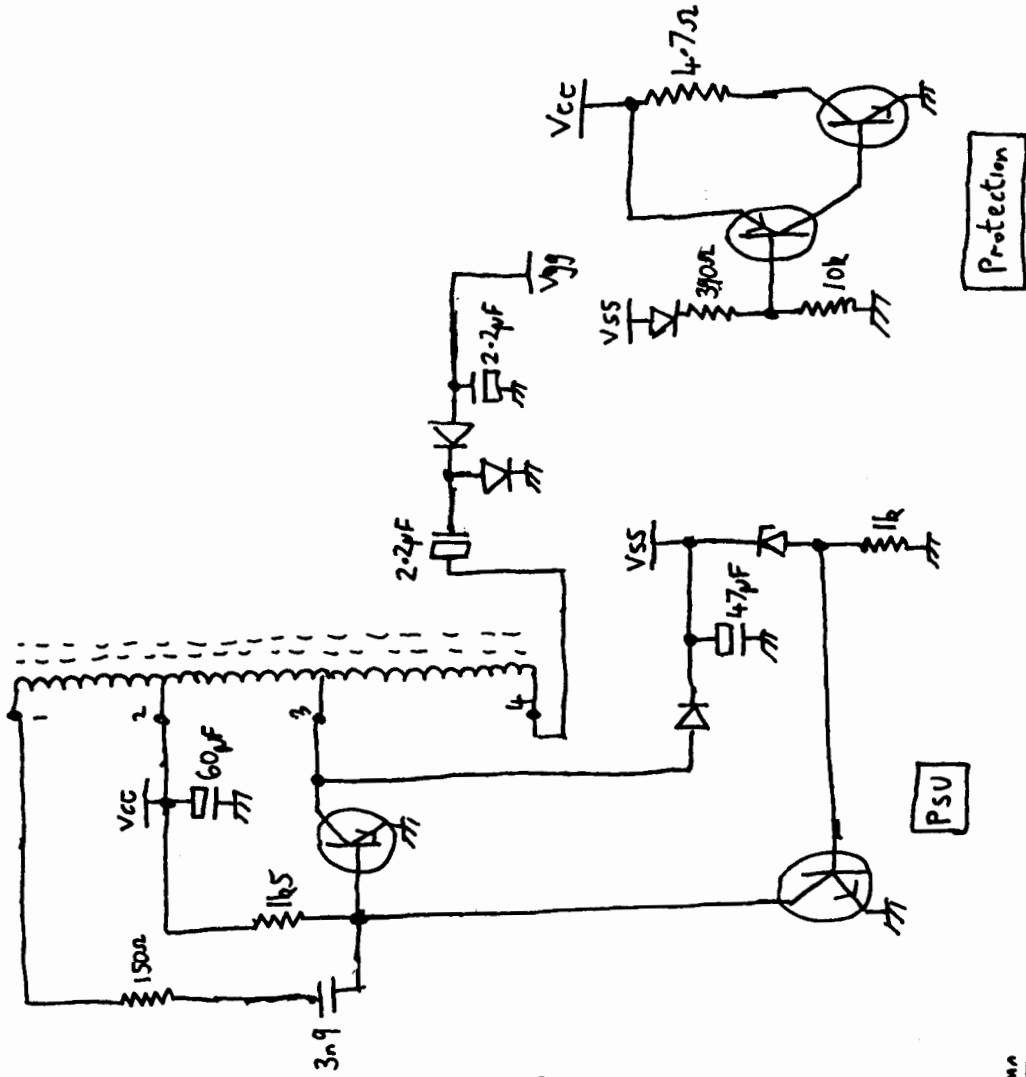
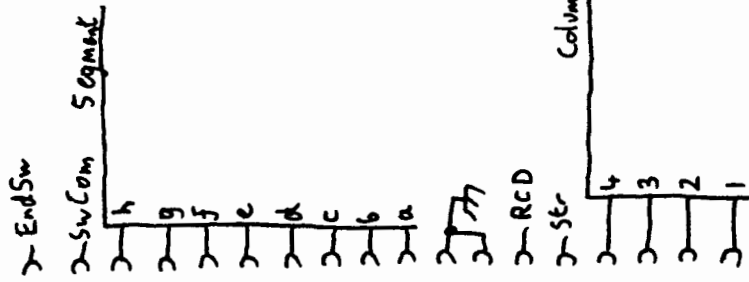
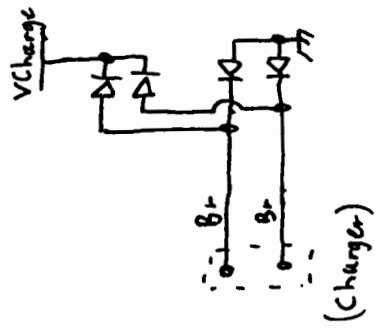
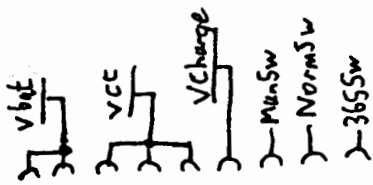
Topcat Display

LHS
↑

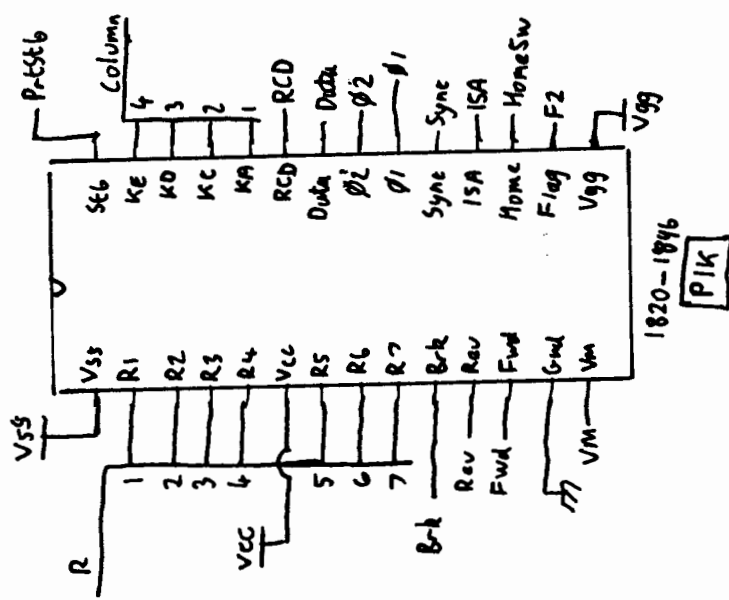
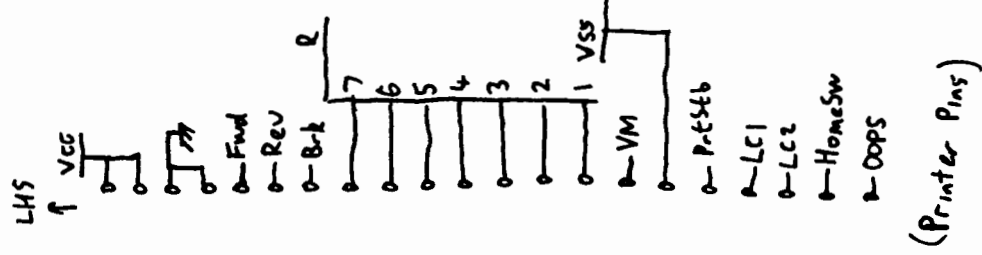
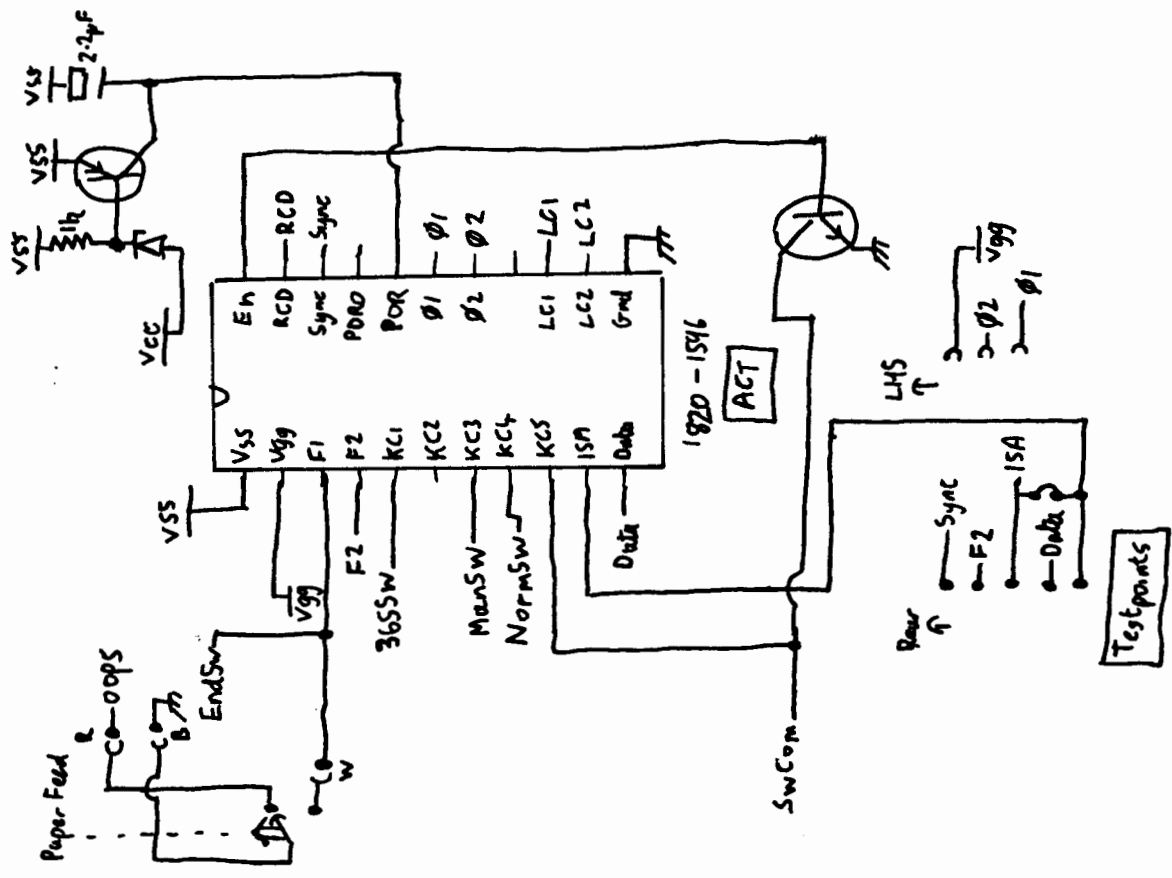


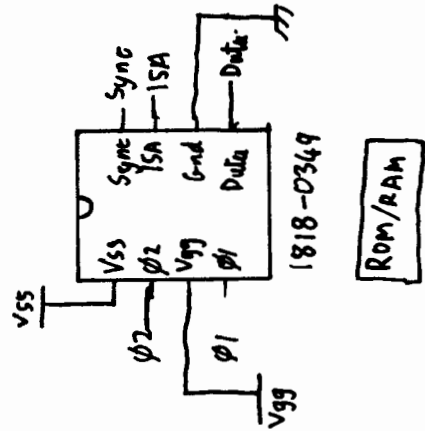
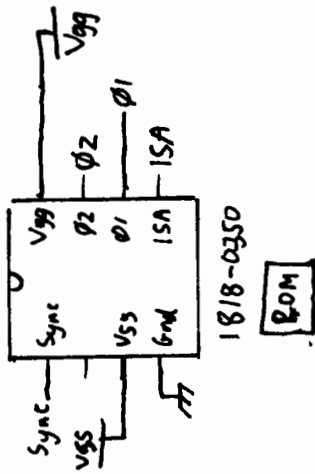
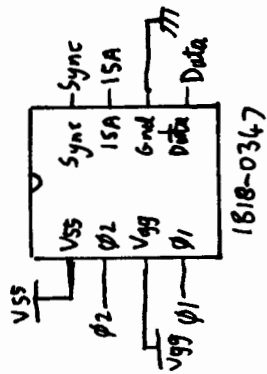
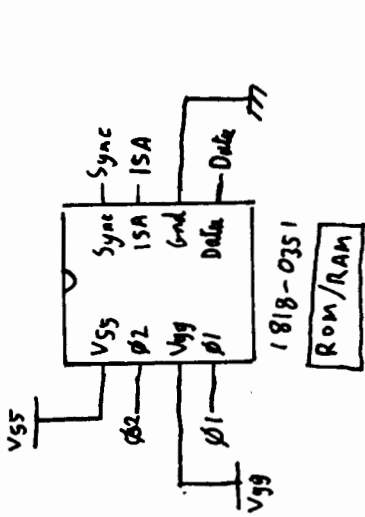
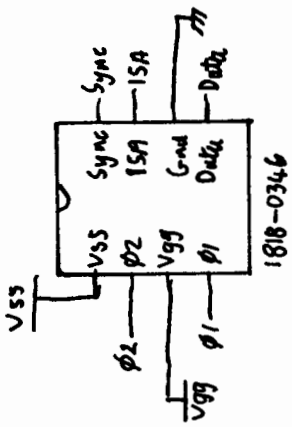
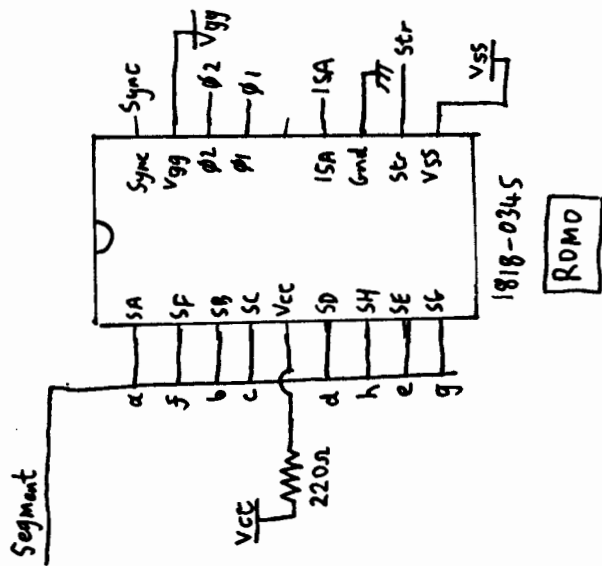
Note: k3 has only g segment
Digit 15 has only g segment,
mapped as k3/e.

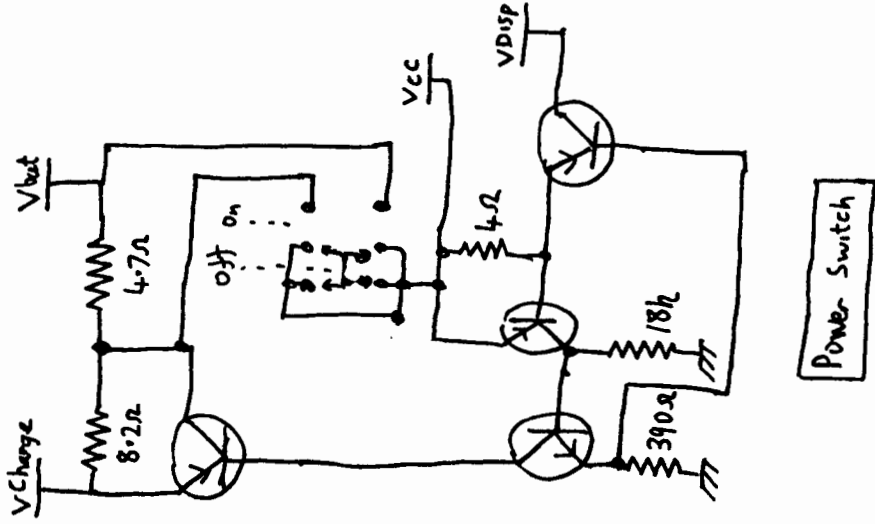
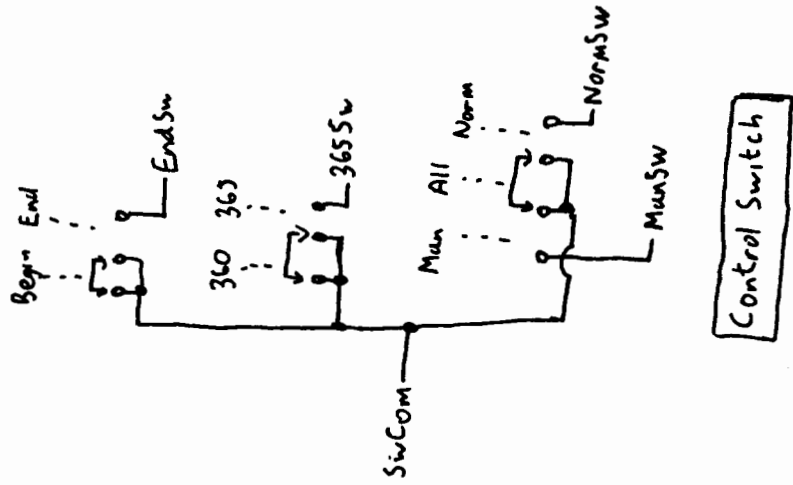
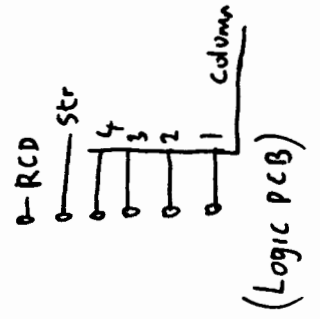
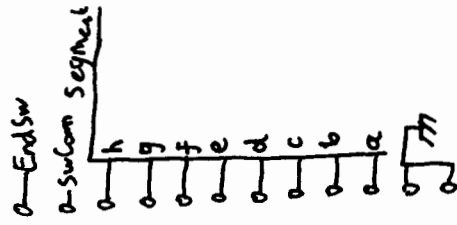
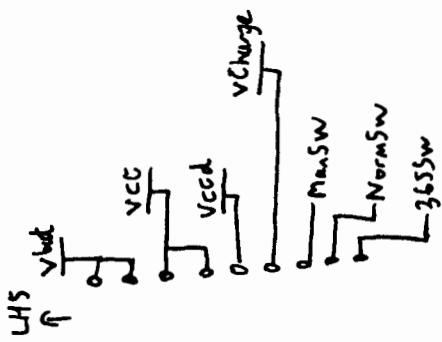
LMS ↑

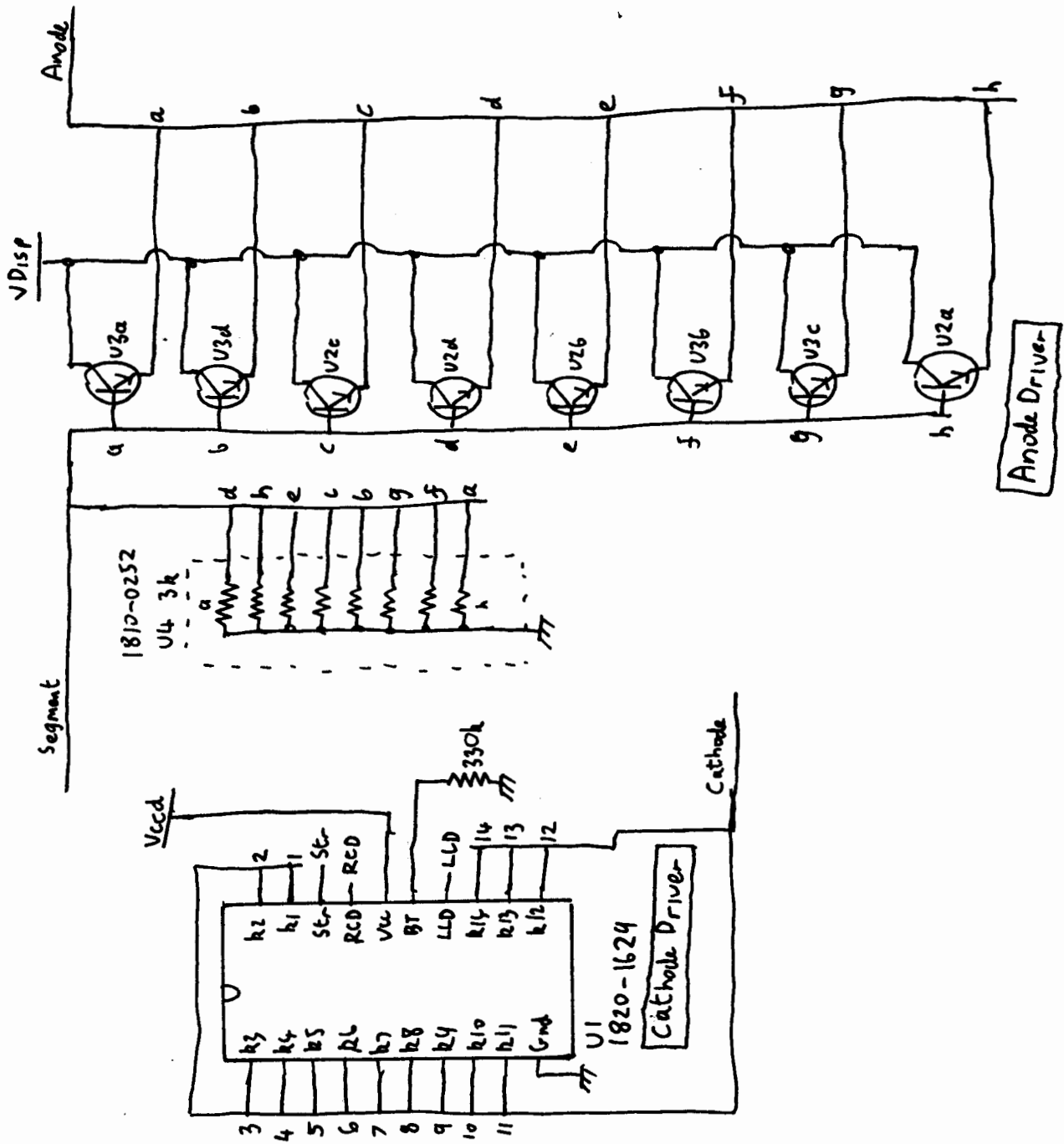


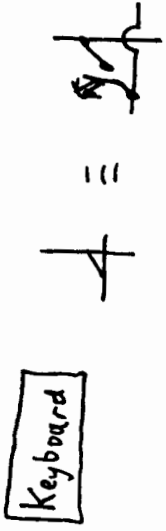
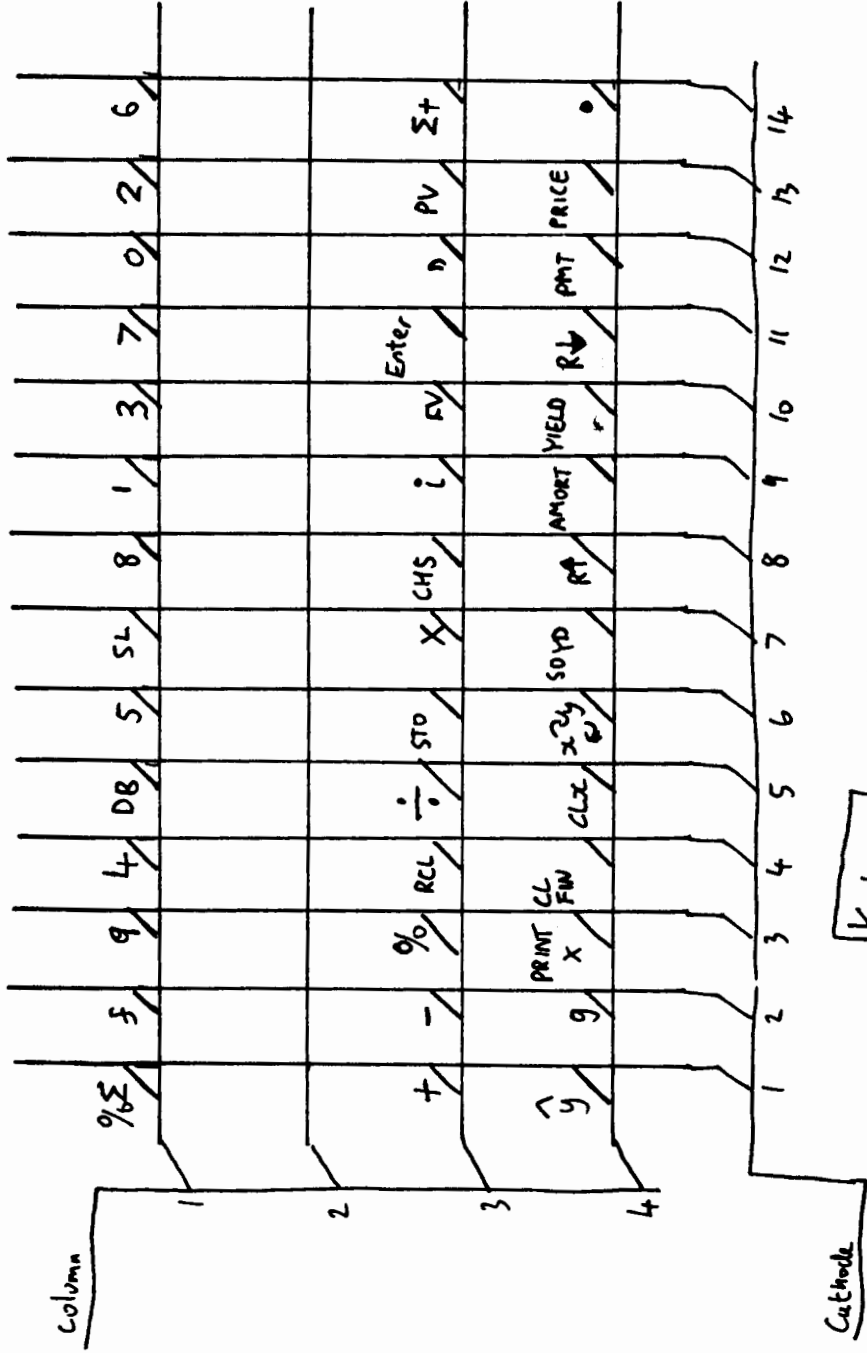
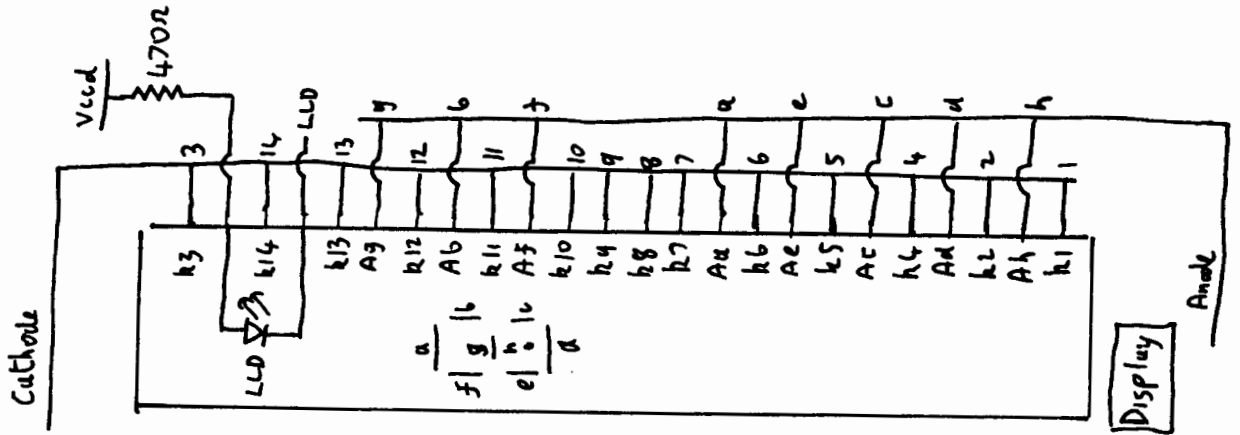
(Keyboard/Display) Socket

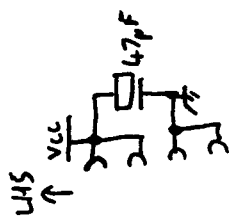






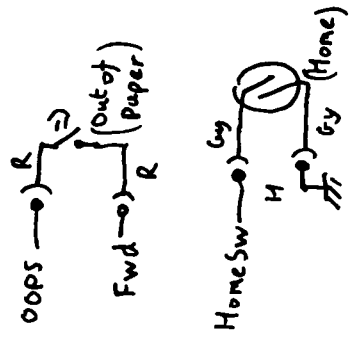




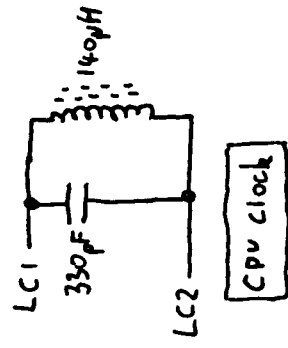


- Fwd
- Rev
- Brk
- R
- 7
- 6
- 5
- 4
- 3
- 2
- 1
- VM V35
- P.tst6
- LC1
- LC2
- HomeSw
- OOPS

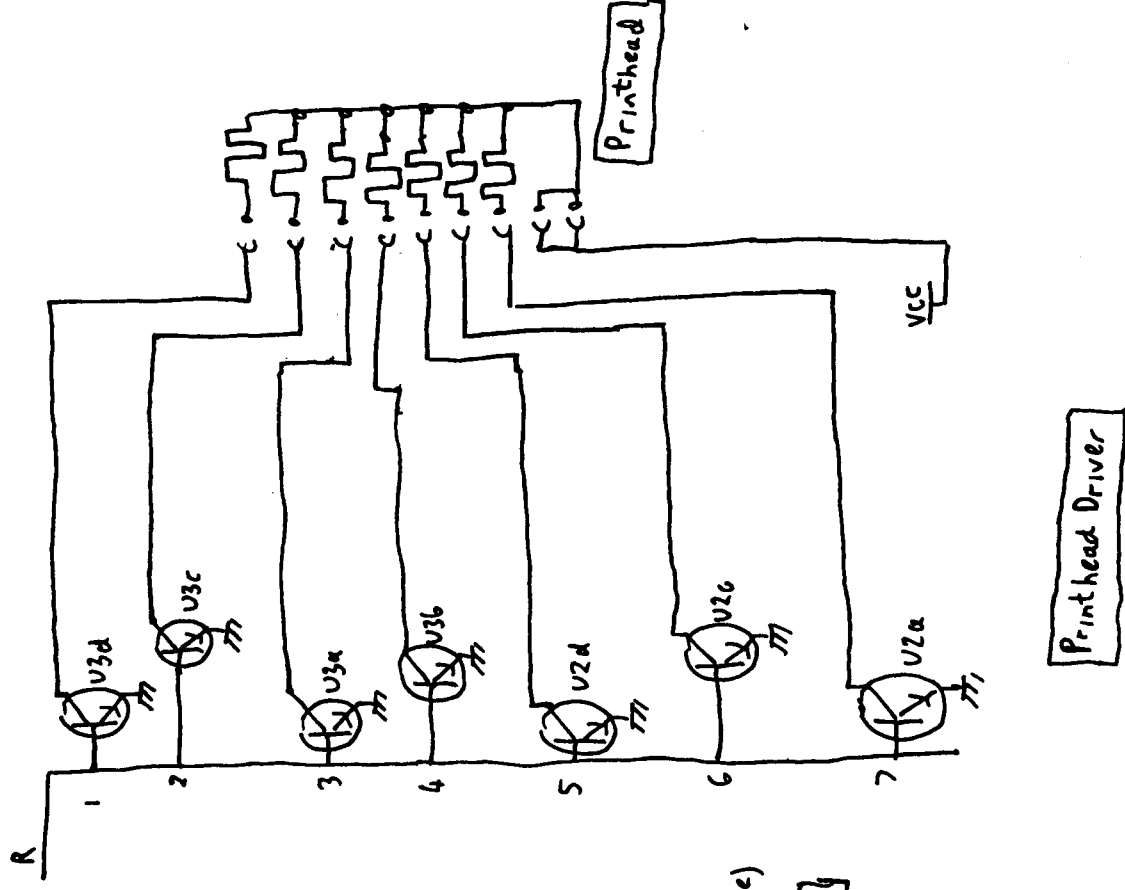
(Logic PCB)



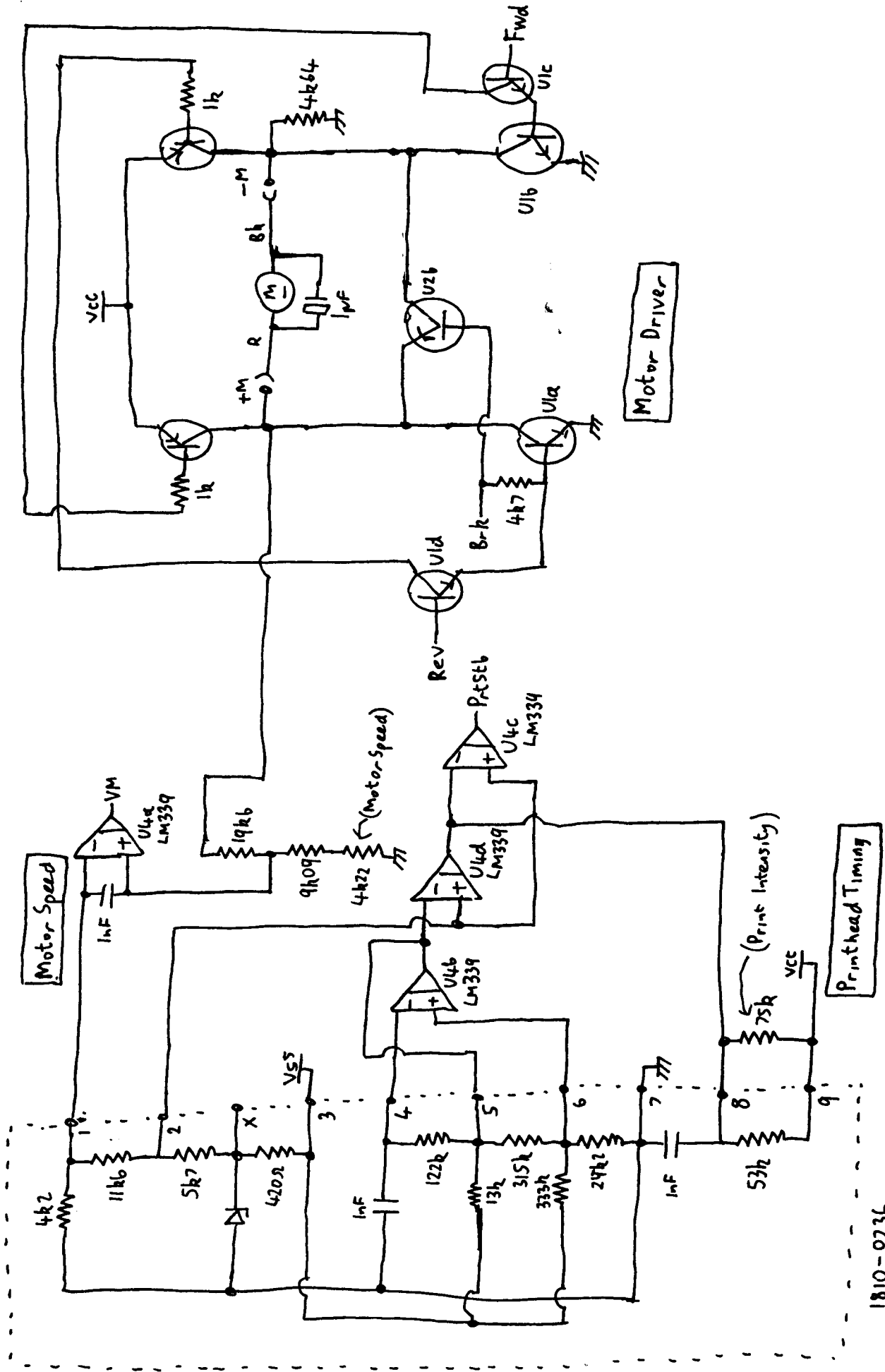
Printer Switches



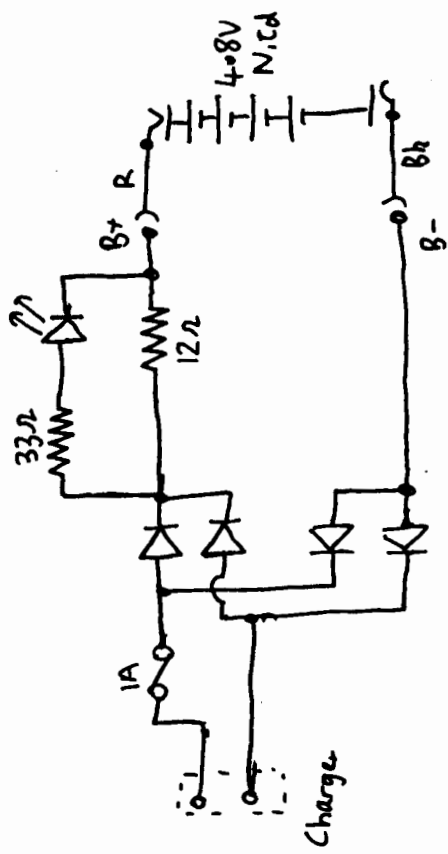
CPU clock



Printhead Driver



1810-0236



HP82037 Topcat Reserve Power Pack

82037-60001