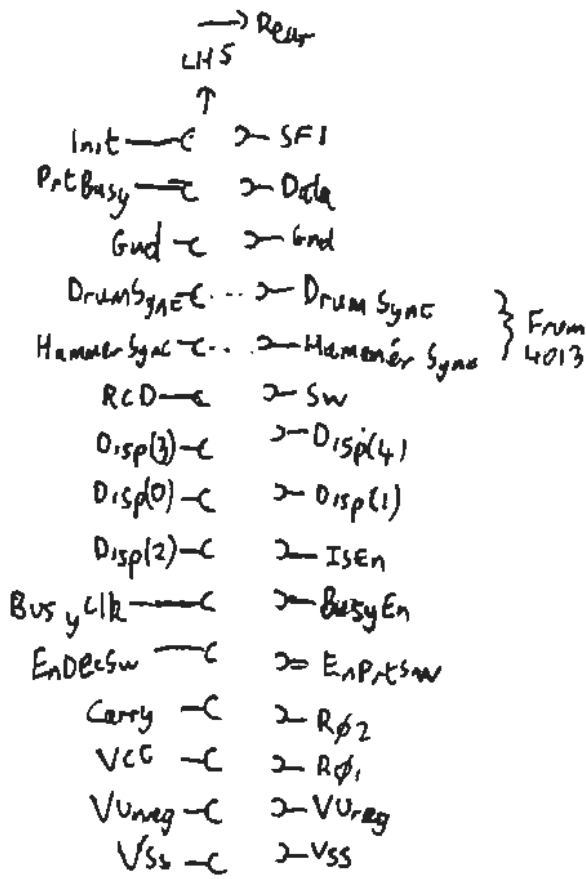


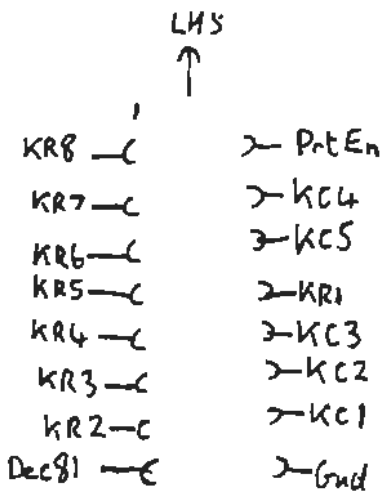
HP4B / HP81



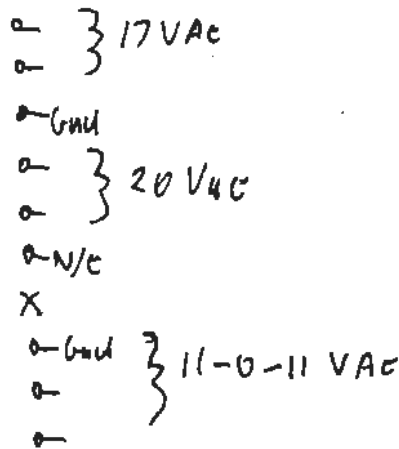
Display PCB



Printer

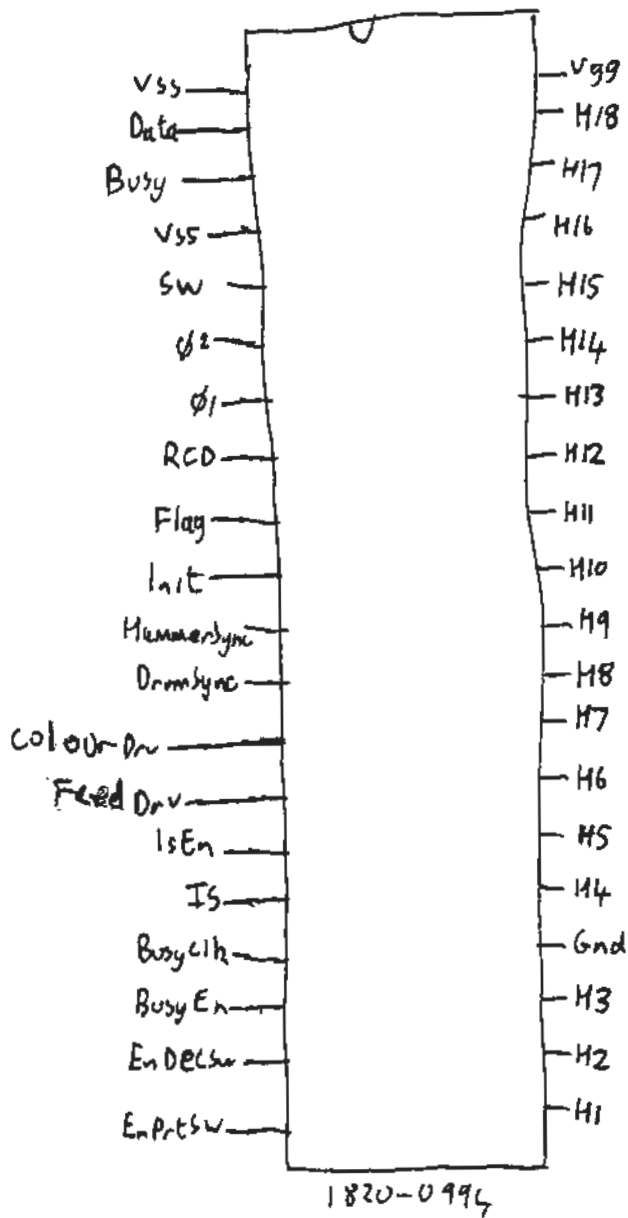


Keyboard

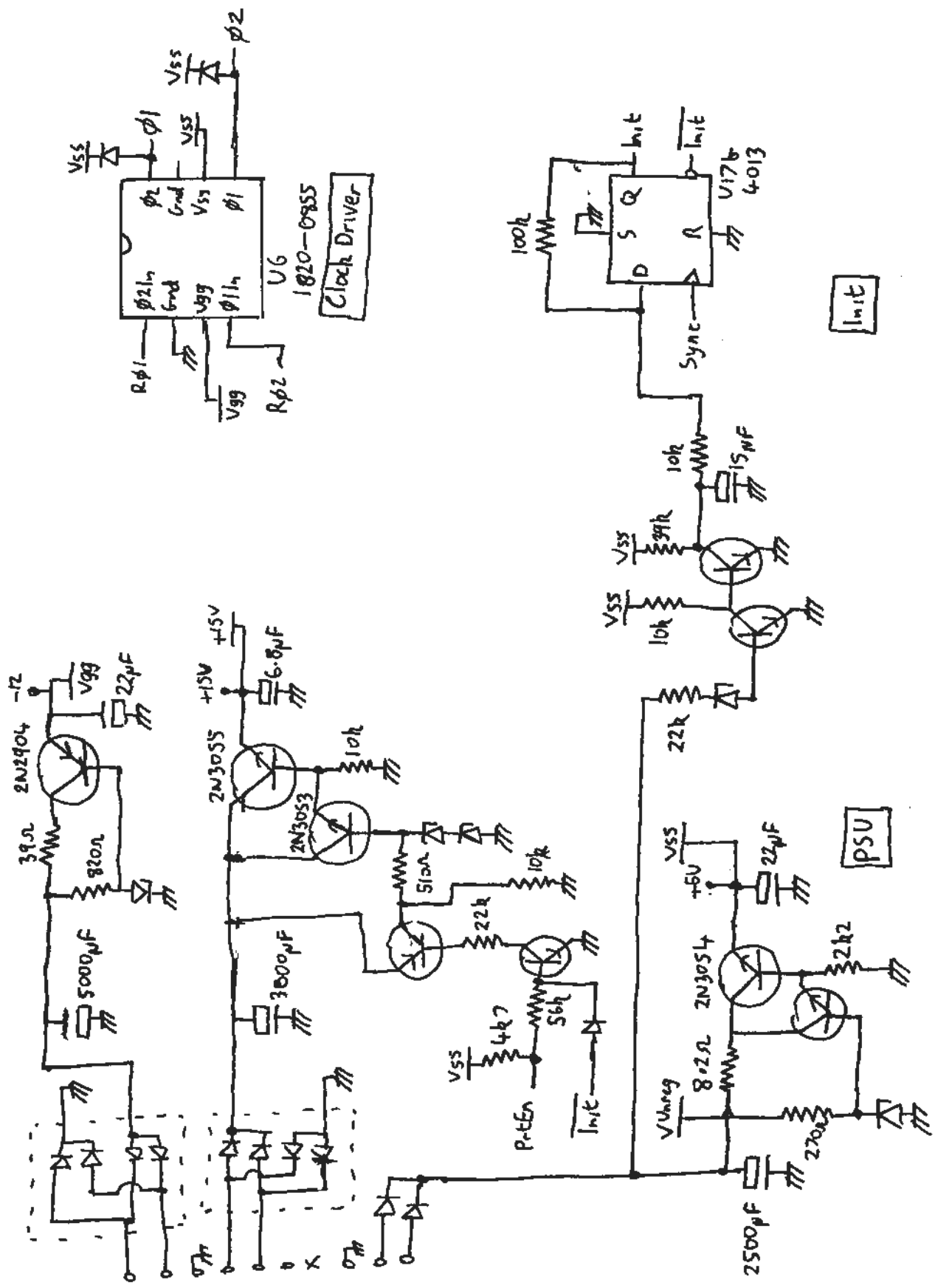


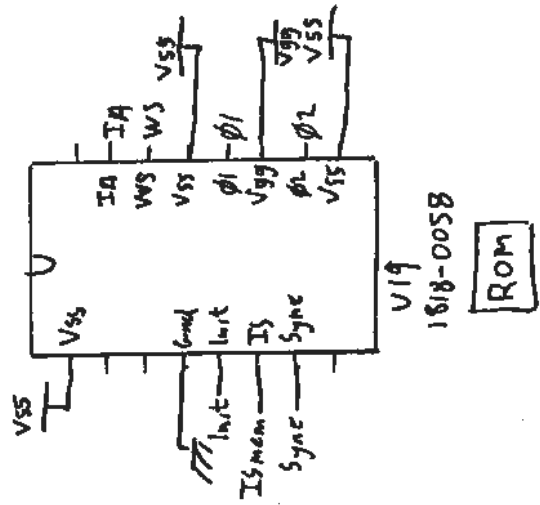
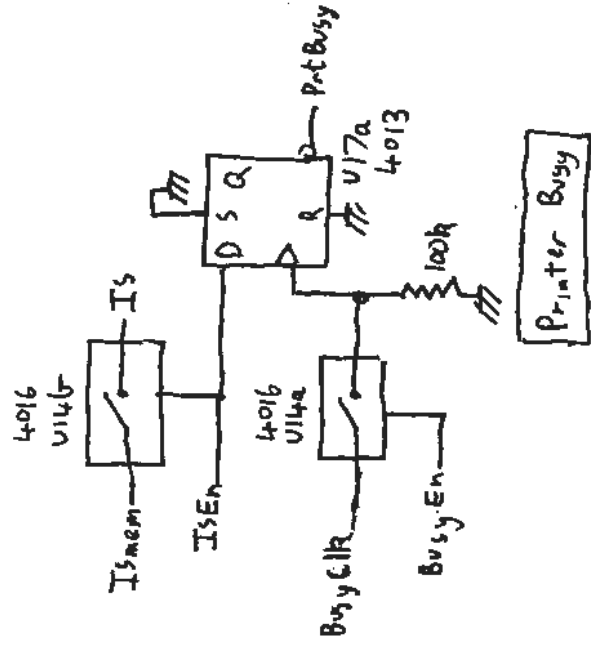
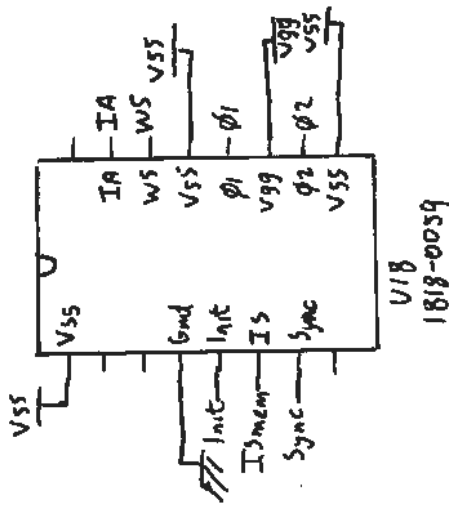
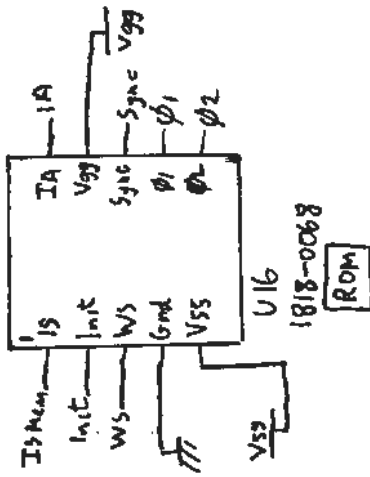
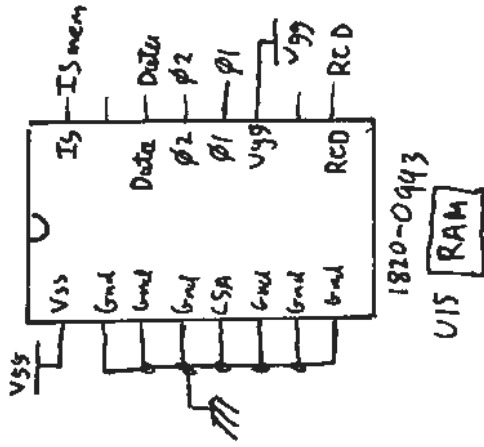
Transformer

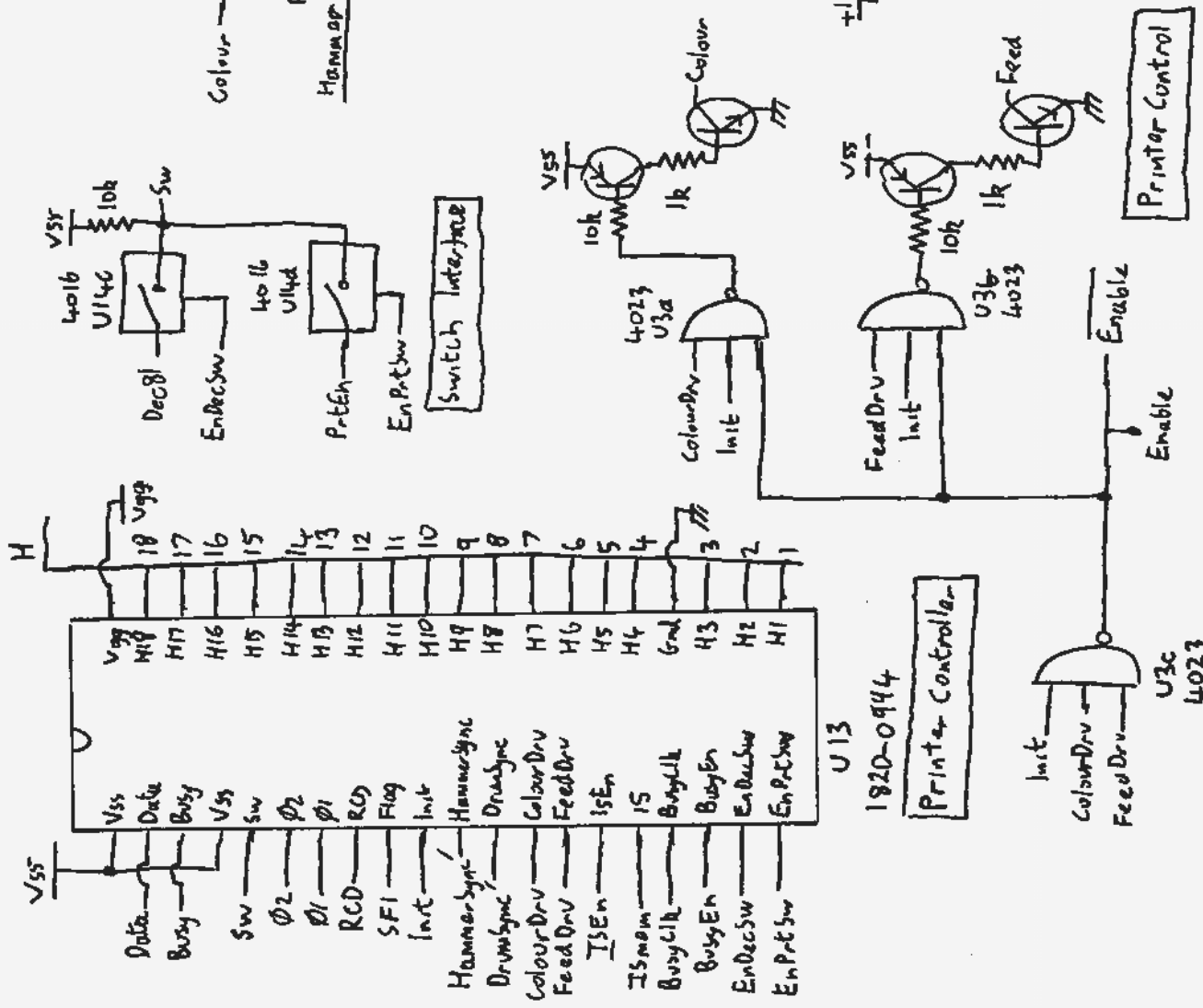
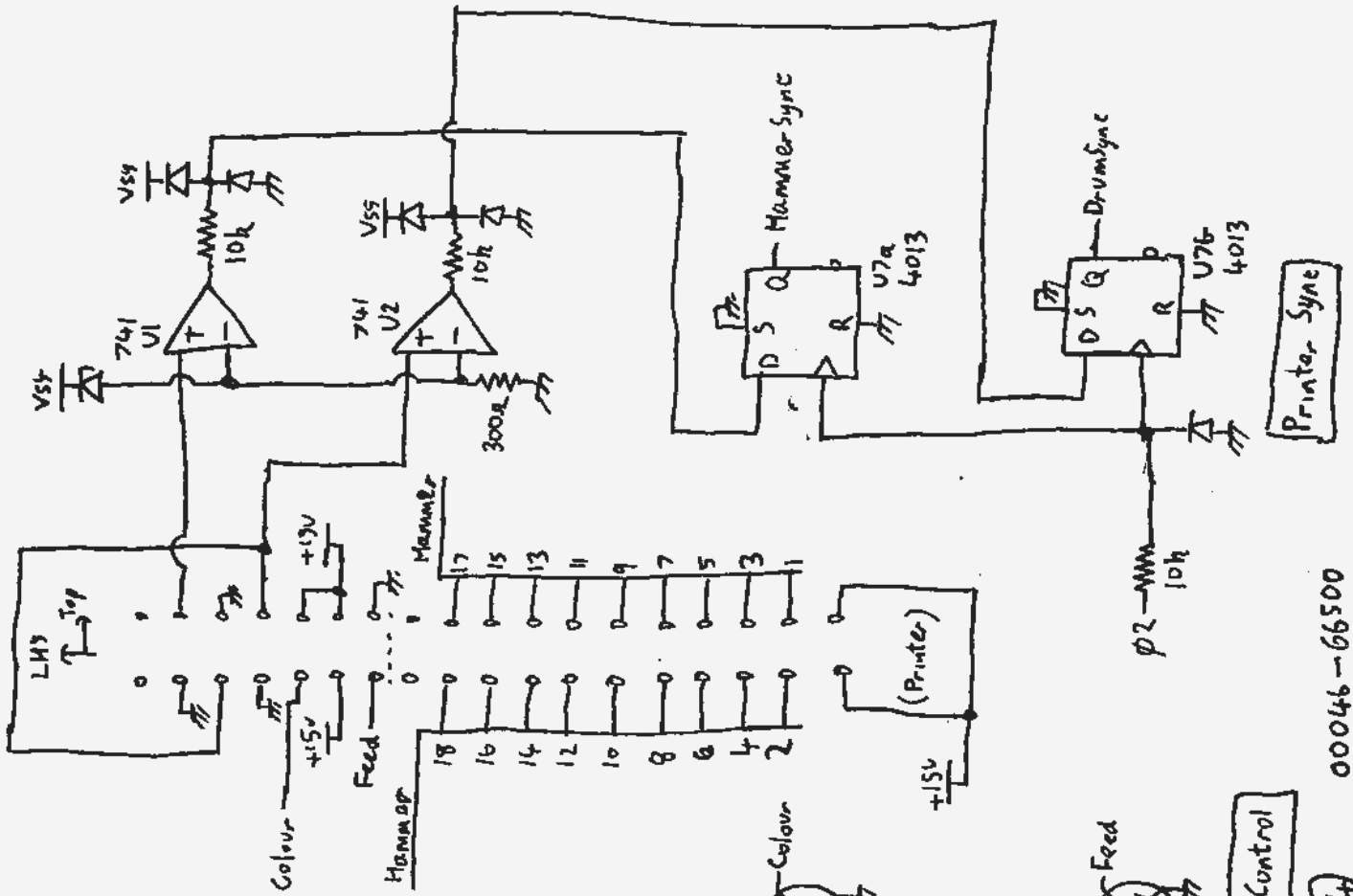
MP45 / MP81



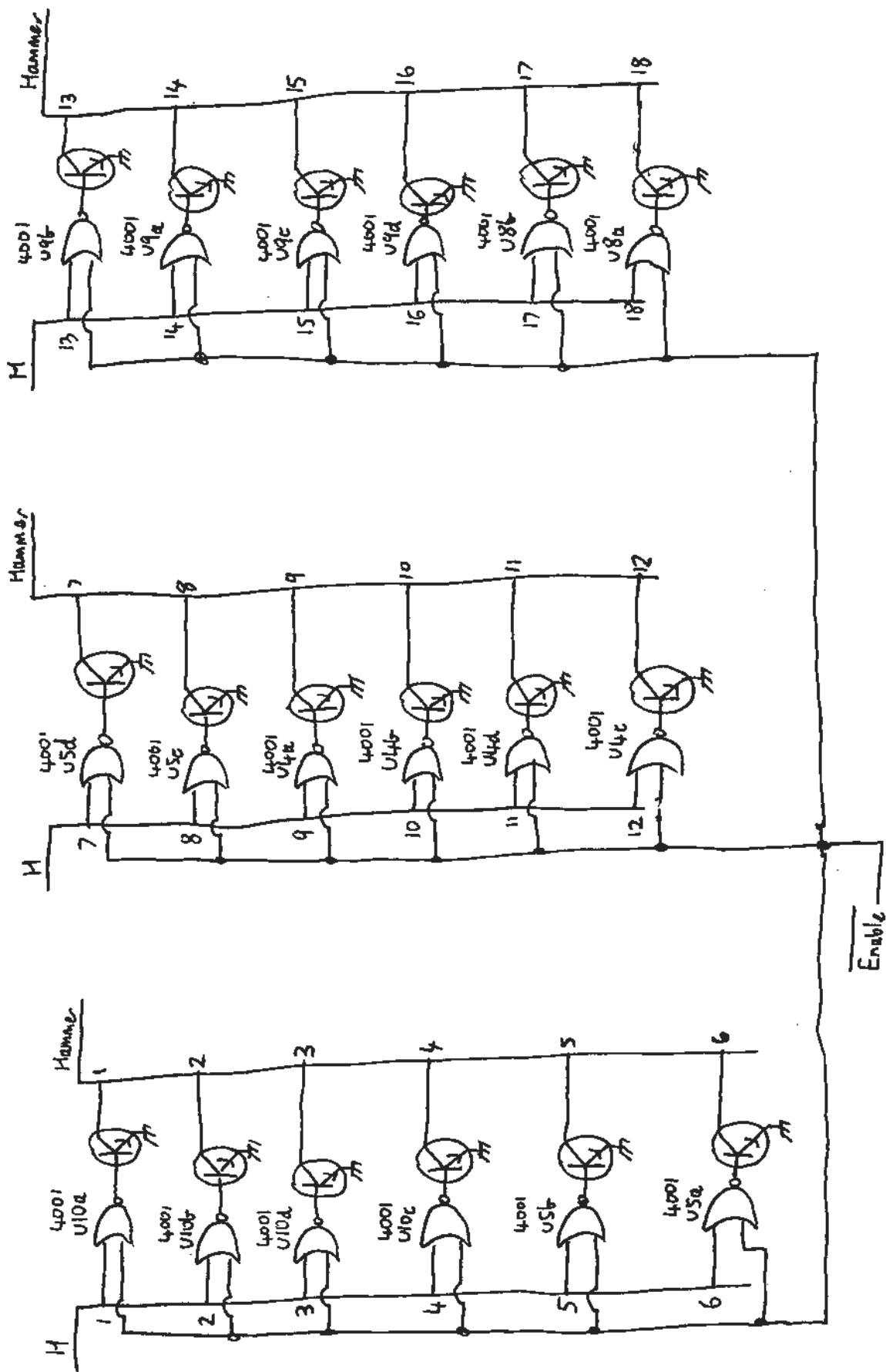
Printer Controller



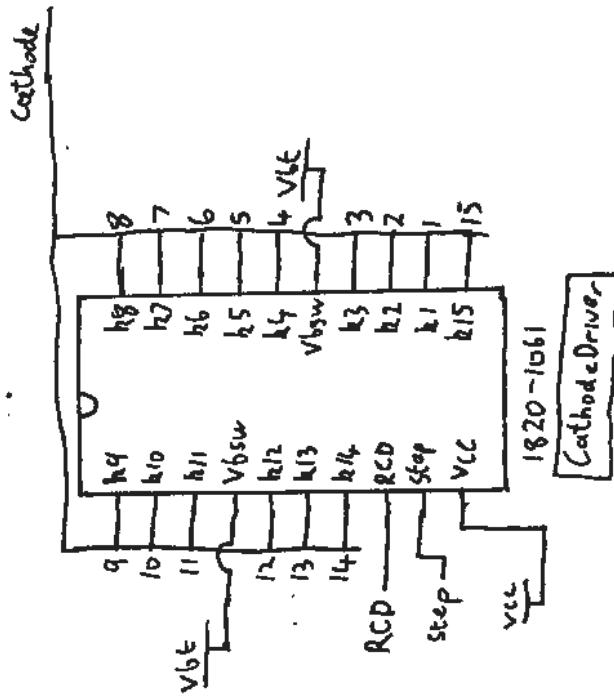
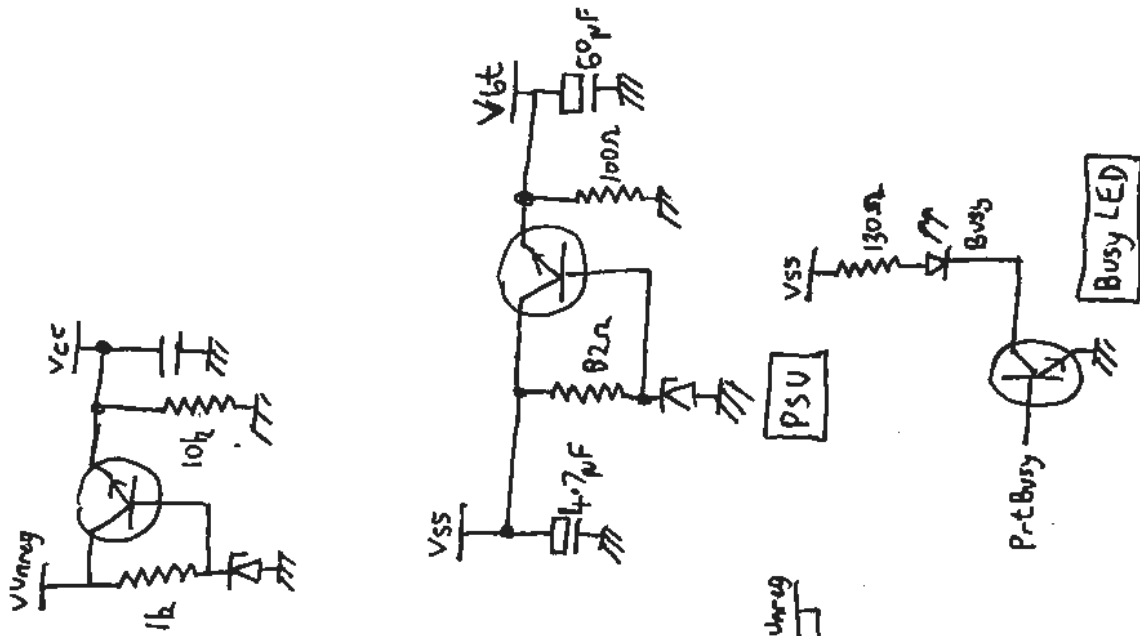
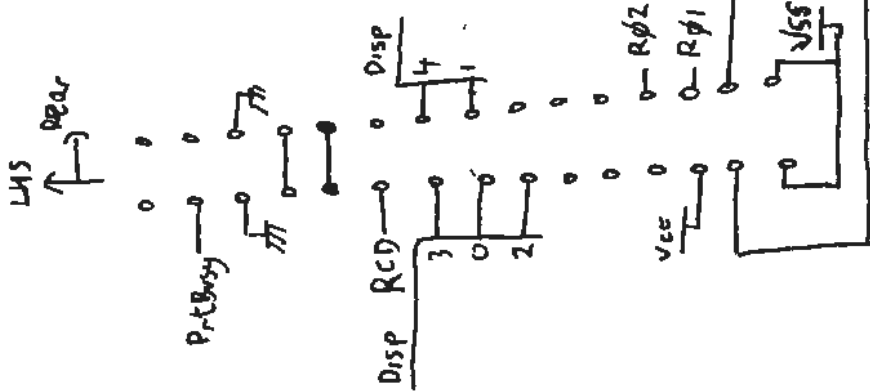




HP 46 Logic PCB sheet (4) 00046-66500



Hammer Drivers

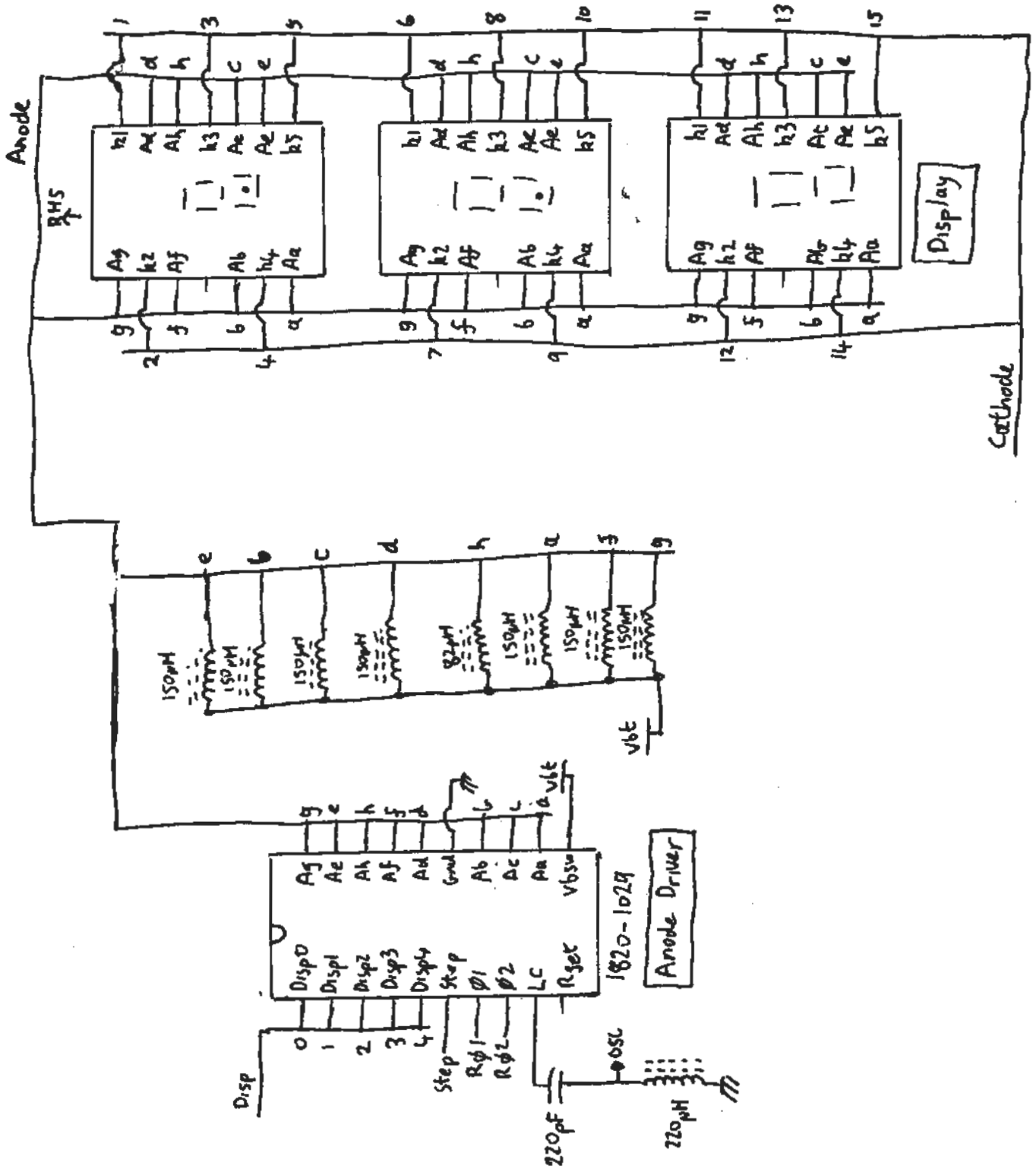


00046-66541

Sheet 1

Display PCB

HP46/HP81



Print Paper

$\frac{1}{x}$	SIN
x^2	COS
LN	TAN
e^x	To Pol
%	Σ +

Left \leftarrow
Right \rightarrow
Up \uparrow
Down \downarrow

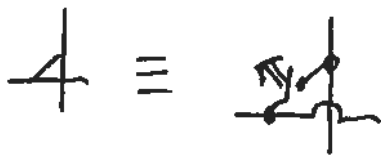
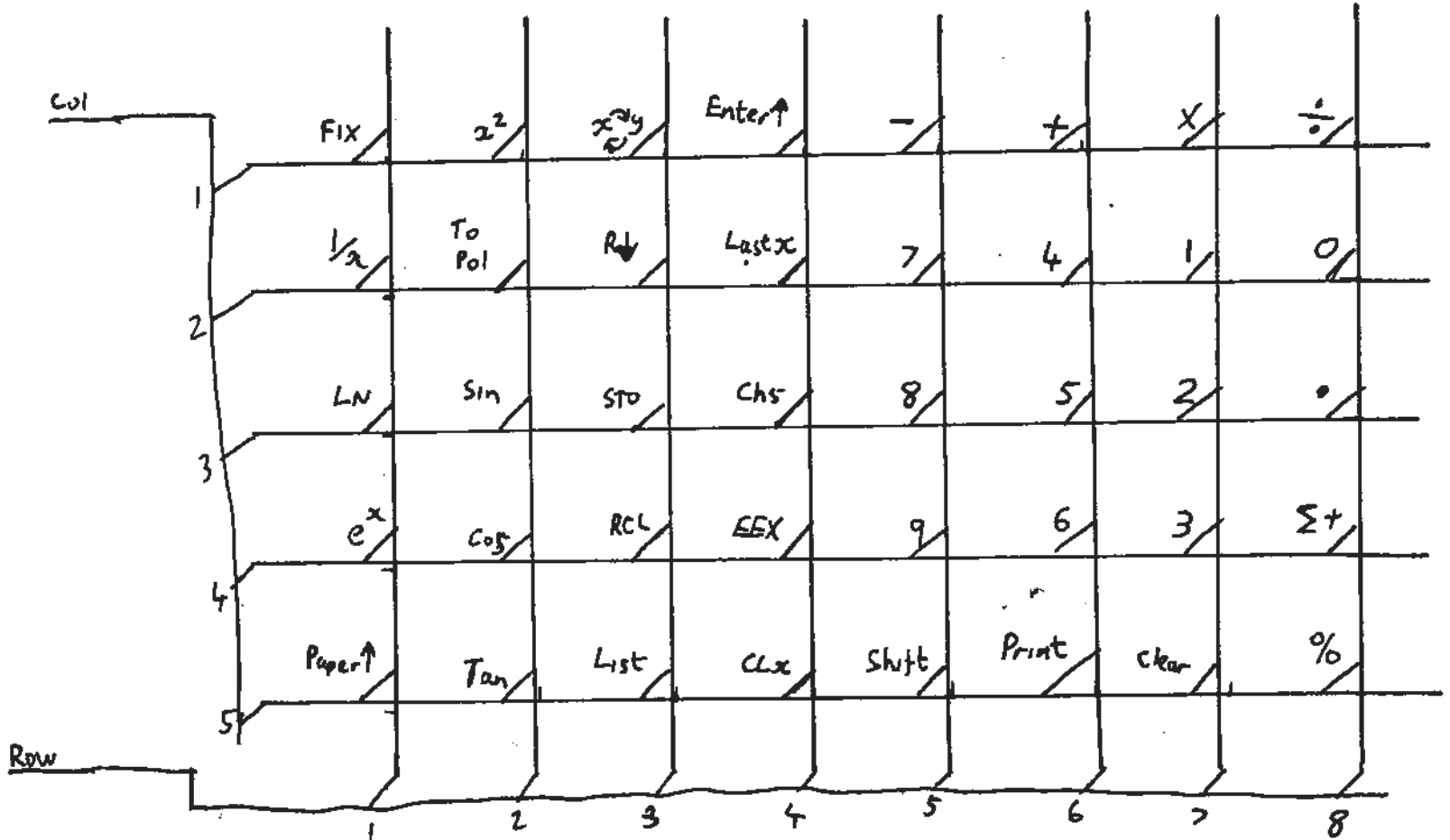
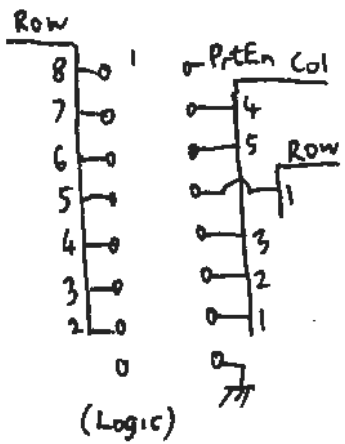
Shift Fix Clear

Chs	EEX	CLX
7	8	9
4	5	6
1	2	3
	0	.

Line

\div	LIST
X	RCL
-	STO
+	PRINT

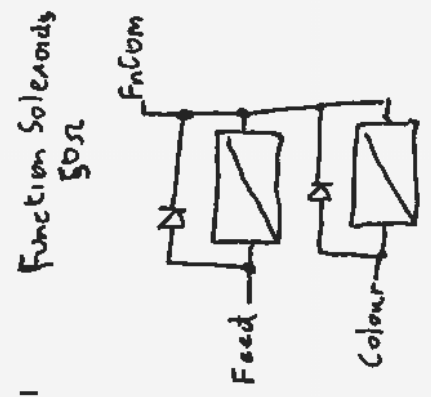
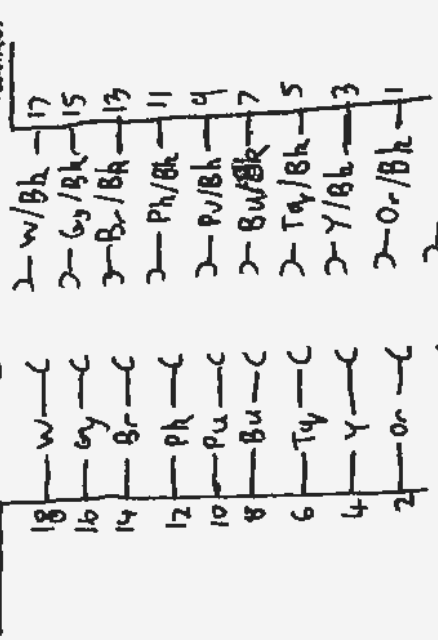
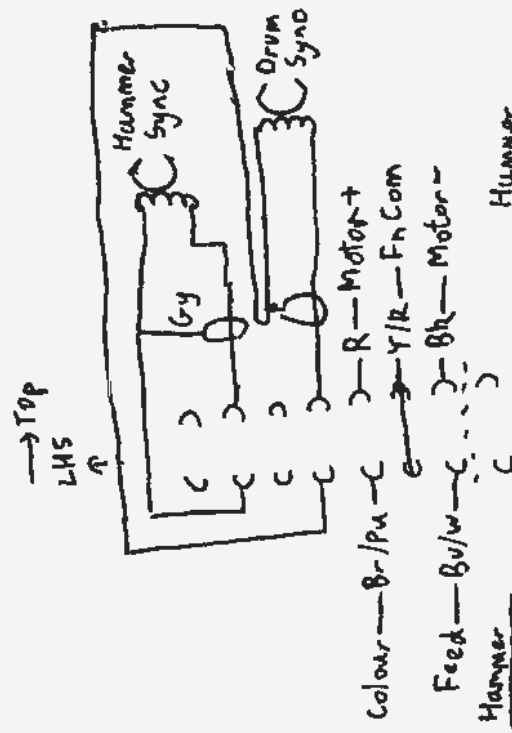
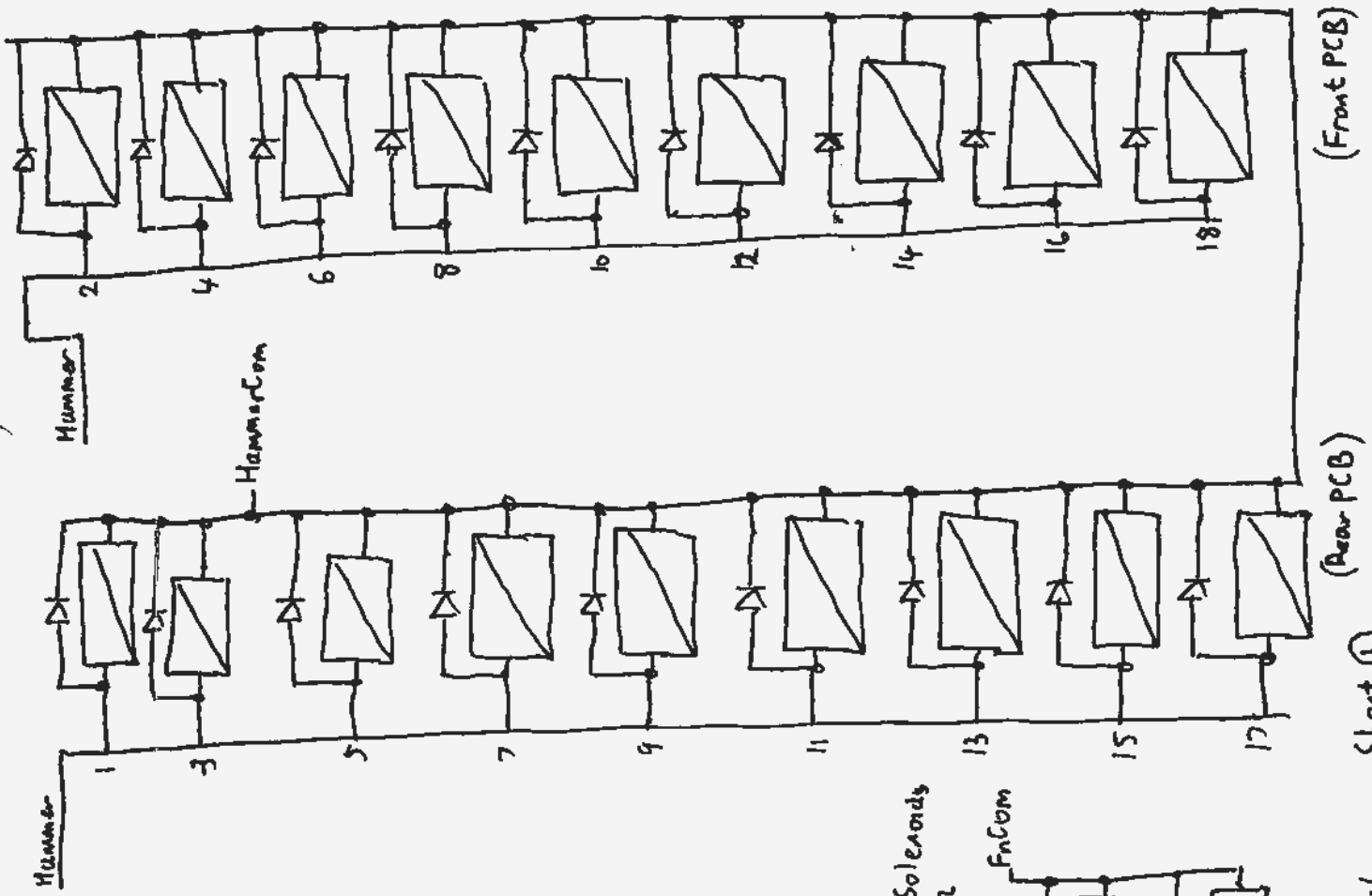
MP46 Keycaps



HP46 keyboard

00046-66530

Hammer Solenoids
100Ω



HP16/HP81 Transformer Wiring

