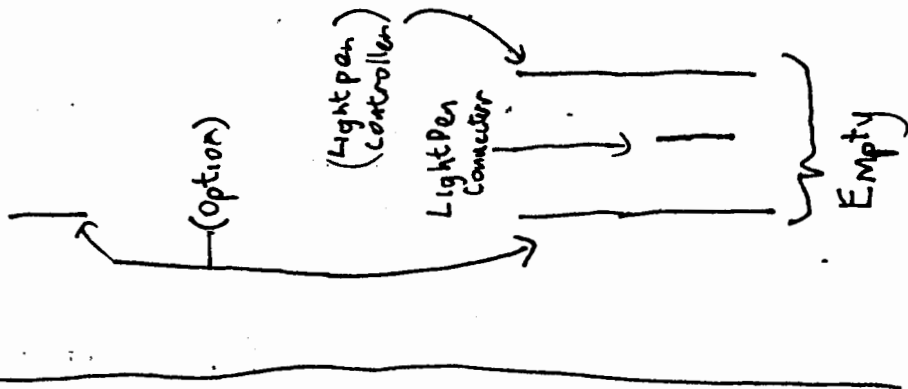


Processor
Gr/R
98780-66552

Interface
Or/R
98780-66572

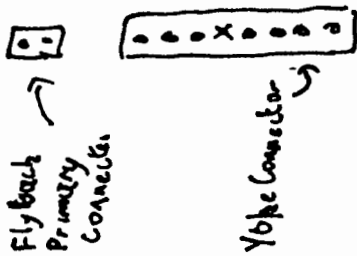
Text
R/Br
98780-66521

Deflection
B+Y
98780-66514



Flyback
Transformer

Video
98780-66511

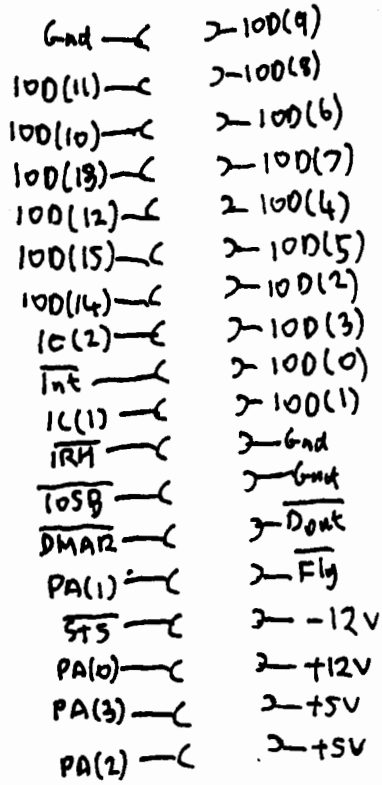
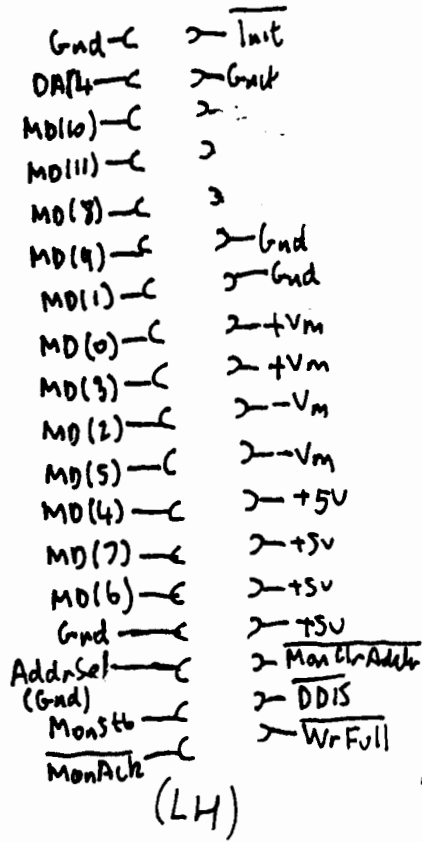


Heatsink PCB
98780-66513

HP98780A

HP98780A Monitor

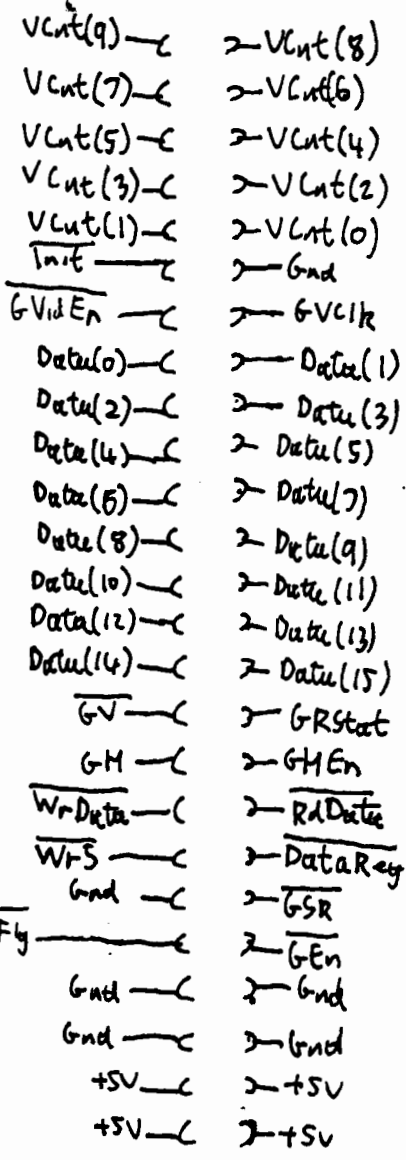
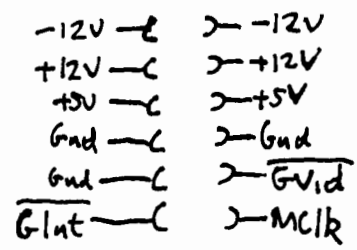
Front
 ↑
 LHS ←



(RH)

9845 connectors

Front
 ↑ → LHS



Processor
 98780-6652

HP98780 Monitor

-12V-C 2 -12V
 +12V-C 2 +12V
 +5V-C 2 +5V
 Gnd-C 2 Gnd
 OptVid(0)-C 2 OptVid(3)
 OptVid(1)-C 2 OptVid(2)

Front
 ↑
 → LMS

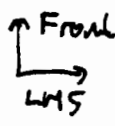
VCnt(9)-C 2 VCnt(8)
 VCnt(7)-C 2 VCnt(6)
 VCnt(5)-C 2 VCnt(4)
 VCnt(3)-C 2 VCnt(2)
 VCnt(1)-C 2 VCnt(0)
 Init-C 2 Gnd
 GVidEn-C 2 Gnd
 Data(0)-C 2 Data(1)
 Data(2)-C 2 Data(3)
 Data(4)-C 2 Data(5)
 Data(6)-C 2 Data(7)
 Data(8)-C 2 Data(9)
 Data(10)-C 2 Data(11)
 Data(12)-C 2 Data(13)
 Data(14)-C 2 Data(15)
 GV-C 2 VClk
 GH-C 2 GMEn
 WrData-C 2 RdData
 WrS-C 2 DataReg
 Gnd-C 2 OptionSR
 IFly-C 2 OptionEn
 +5V-C 2 Gnd
 +5V-C 2 Video(2)
 +5V-C 2 Video(1)
 MClk-C 2 Video(0)

VCnt(7)-C 2 VCnt(8)
 VCnt(5)-C 2 VCnt(6)
 VCnt(3)-C 2 VCnt(4)
 VCnt(1)-C 2 VCnt(2)
 Init-C 2 VCnt(0)
 GVidEn-C 2 GVClk
 Gnd-C 2 Gnd
 Data(0)-C 2 Data(1)
 Data(2)-C 2 Data(3)
 Data(4)-C 2 Data(5)
 Data(6)-C 2 Data(7)
 Data(8)-C 2 Data(4)
 Data(10)-C 2 Data(11)
 Data(12)-C 2 Data(13)
 Data(14)-C 2 Data(15)
 WrData-C 2 LPVid
 RdData-C 2 LPBrt
 LPSR-C 2 Gnd
 WrS-C 2 +Vm
 LP(3)-C 2 -Vm
 LP(4)-C 2 Gnd
 LP(5)-C 2 +5V
 LP(6)-C 2 +5V
 LP(7)-C 2 +5V
 Gnd-C 2 MClk

Option

Light Pen Controller

98780 Monitor



- sw(7) — C —> sw(6)
- sw(5) — C —> sw(4)
- sw(3) — C —> sw(2)
- sw(1) — C —> sw(0)
- Gnd — C —> Gnd
- IOD(9) — C —> IOD(11)
- IOD(8) — C —> IOD(10)
- IOD(6) — C —> IOD(13)
- IOD(7) — C —> IOD(12)
- IOD(4) — C —> IOD(15)
- IOD(3) — C —> IOD(14)
- IOD(2) — C —> ILC(2)
- IOD(3) — C —> IAE
- IOD(0) — C —> ICL(1)
- IOD(10) — C —> IRH
- Gnd — C —> IO5B
- Gnd — C —> DMAR
- Dout — C —> PA(1)
- Fig — C —> STS
- +SV — C —> PA(0)
- OptVid(3) — C —> PA(3)
- OptVid(2) — C —> PA(2)
- OptVid(1) — C —> Gnd
- OptVid(0) — C —> G-Vid
- Gnd — C —> MClk

- VCat(8) — C —> BVid(3)
- GRstat — C —> BVid(2)
- VClk — C —> BVid(1)
- Gnd — C —> BVid(0)
- +SV — C —> +SV
- InIt — C —> AddrSel
- Gnd — C —> VdrvGnd
- Data(0) — C —> Data(1)
- Data(2) — C —> Data(3)
- Data(4) — C —> Data(5)
- Data(6) — C —> Data(7)
- Data(8) — C —> Data(9)
- Data(10) — C —> Data(11)
- Data(12) — C —> Data(13)
- Data(14) — C —> Data(15)
- LPVid — C —> LPSR
- LPBrt — C —> IFig
- WrData — C —> WRS
- RdData — C —> DataKey
- OSR — C —> OptSR
- GrEn — C —> OptionEn
- Gnd — C —> Gnd
- Video(2) — C —> TxtVid
- Video(1) — C —> +SV
- Video(0) — C —> +SV

- Gnd — C —> Gnd
- +SV — C —> +SV
- +SV — C —> +SV
- InIt — C —> DA14
- MD(10) — C —> MD(11)
- MD(8) — C —> MD(9)
- Gnd — C —> Gnd
- MD(1) — C —> MD(0)
- MD(3) — C —> MD(2)
- MD(5) — C —> MD(4)
- MD(7) — C —> MD(6)
- Gnd — C —> Gnd
- MonChAddr — C —> N/C — AddrSel
- DDIS — C —> MonStb
- WrFull — C —> MonAck

- +SV — C —> MClk
- VCat(9) — C —> Gnd
- VCat(7) — C —> VCat(8)
- VCat(5) — C —> VCat(6)
- VCat(3) — C —> VCat(4)
- VCat(1) — C —> VCat(2)
- G-VClk — C —> VCat(0)
- GV — C —> VClk
- GH — C —> Gnd
- GMen — C —> VSync
- Gnd — C —> Gnd
- TxtVid — C —> HSync
- +SV — C —> +SV
- Gnd — C —> +SV
- MClk — C —> Gnd

Text

98780-66521

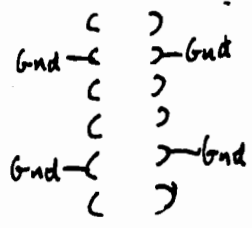
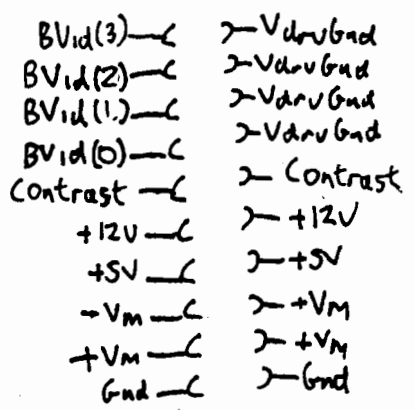
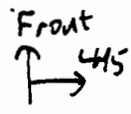


- a-sw(0)
- a-sw(1)
- a-sw(2)
- a-sw(3)
- a-sw(4)
- a-sw(5)
- a-sw(6)
- a-sw(7)
- a-Gnd
- a-Gnd

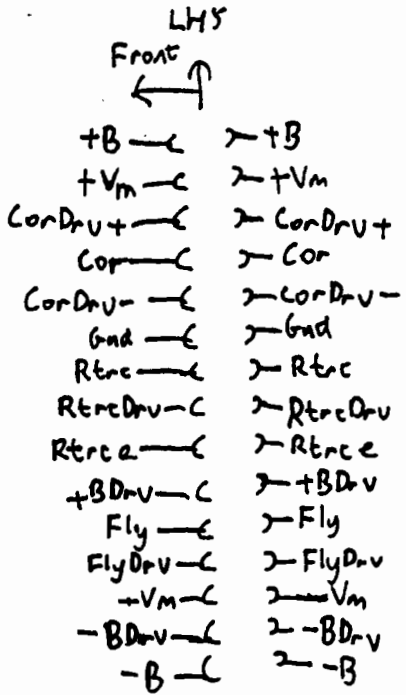
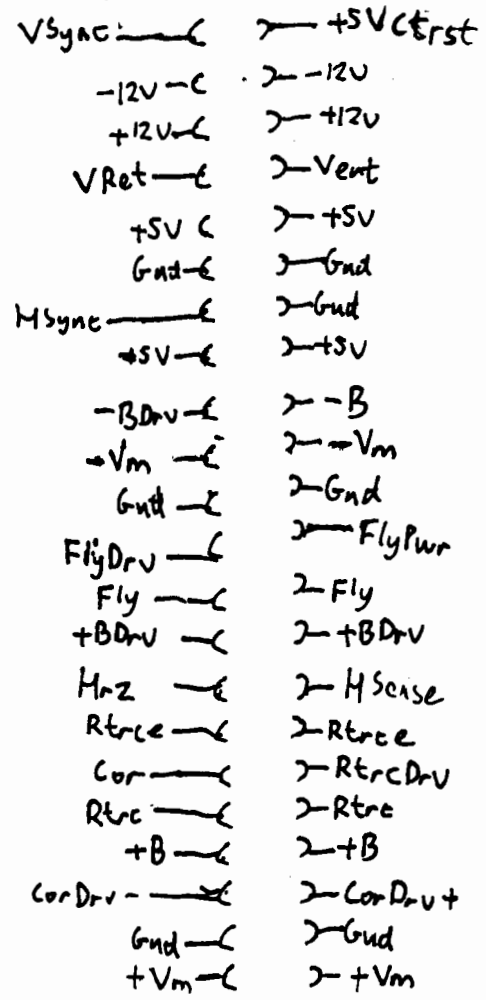
Key Switch

Interface 98780-66532

98780 Monitor

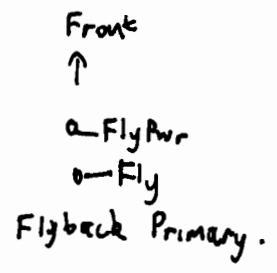
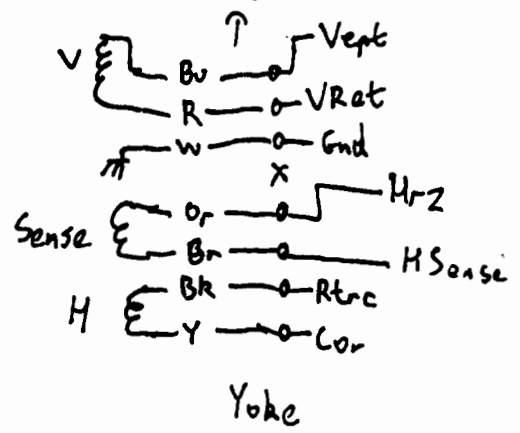


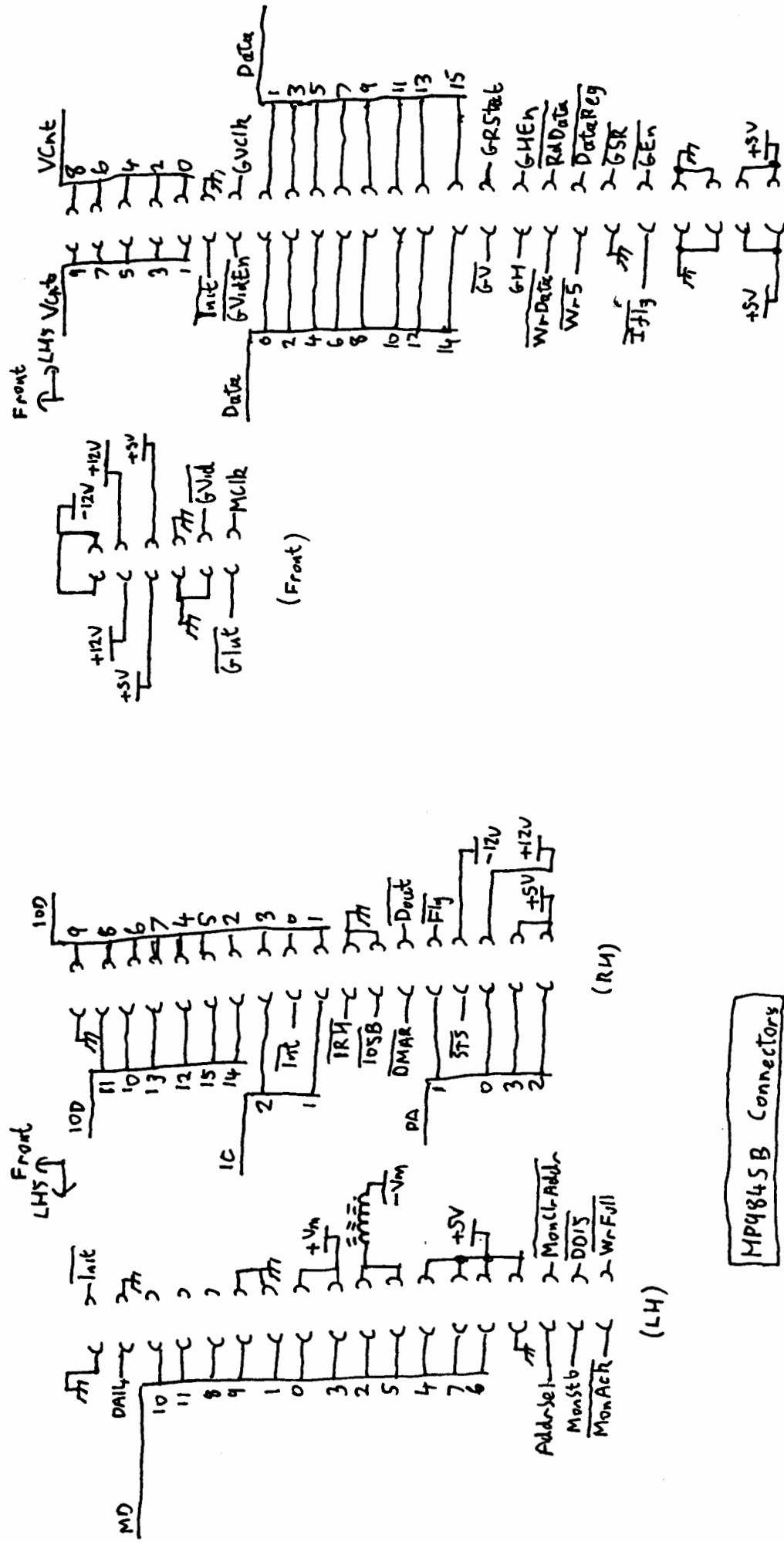
Video
98780-66511



Heatsink
98780-66513

Deflection
98780-66514

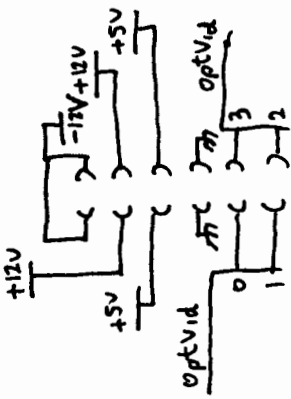




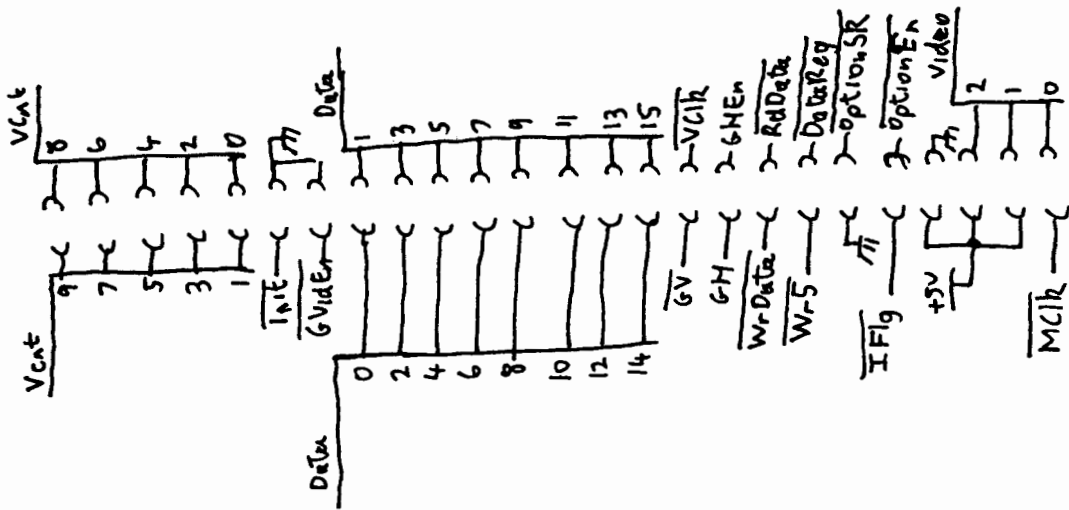
HP9845B Connectors

(98780-6655Z)
Processor

(Rear)

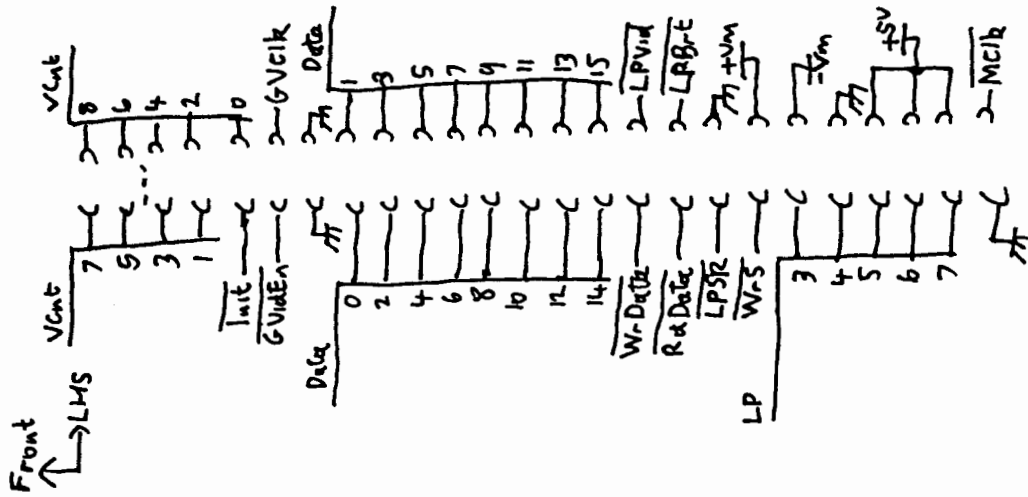


(Front)



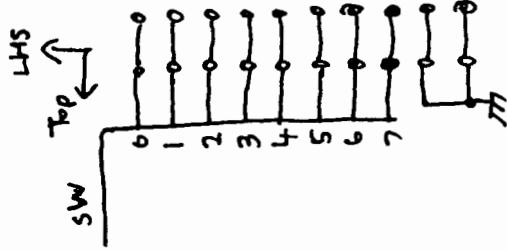
(Rear)

Option



Front

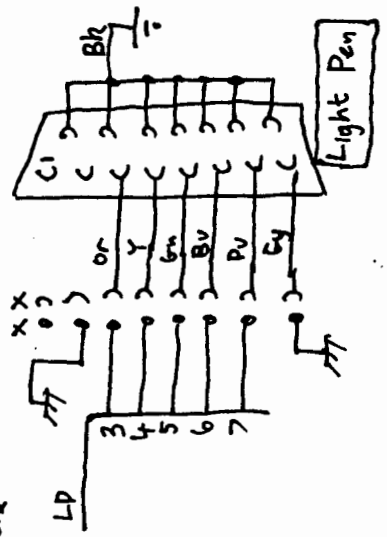
Light Pen Controller



Top

Keyswitch

Front

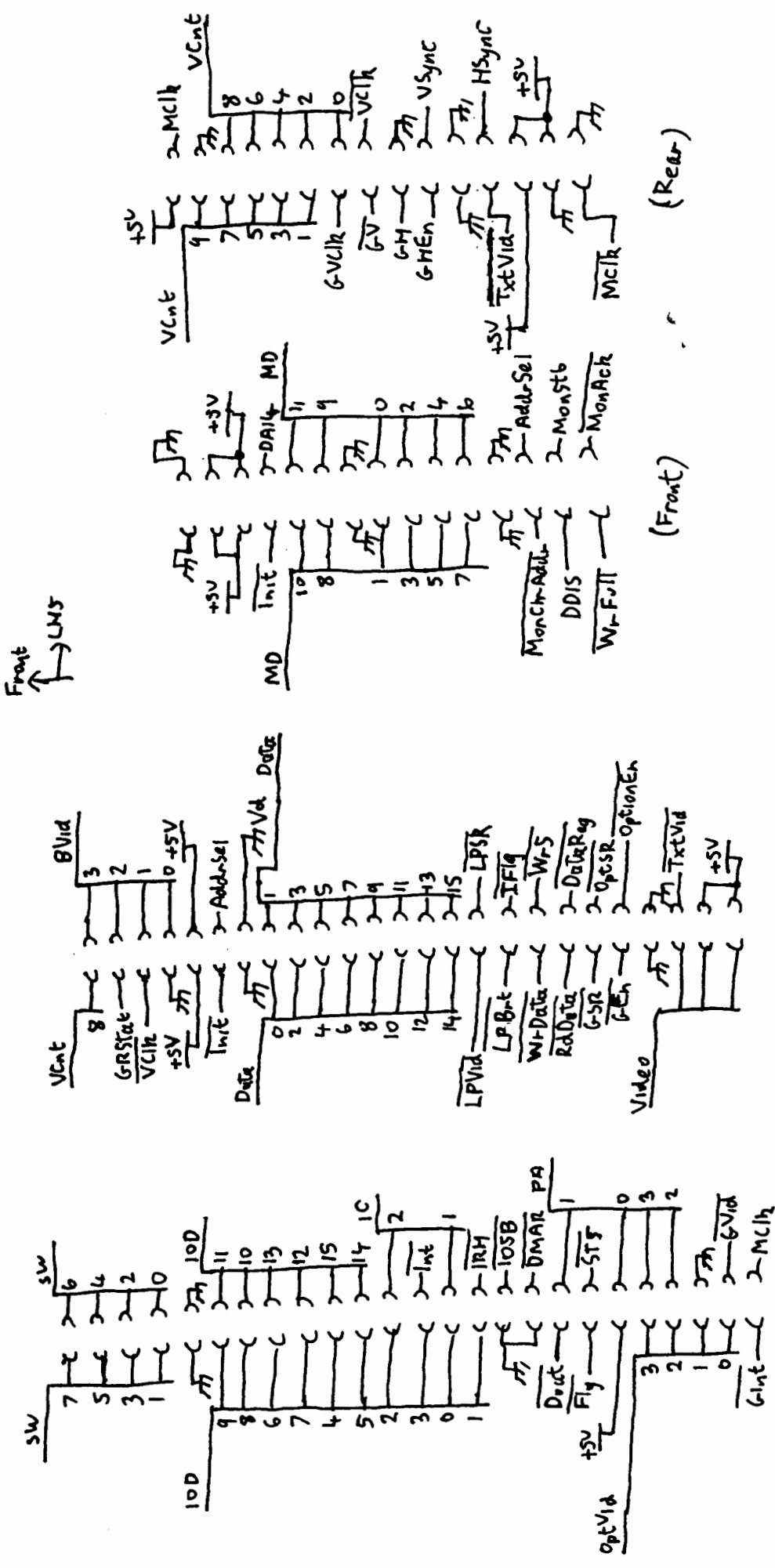


Light Pen

98780-66504

Sheet 2

HP98780 Backplane



Front
↑
LMS

(Front) (Rear)

(98780-66521)

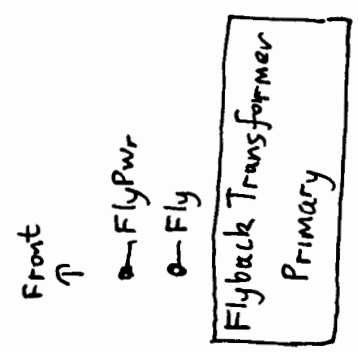
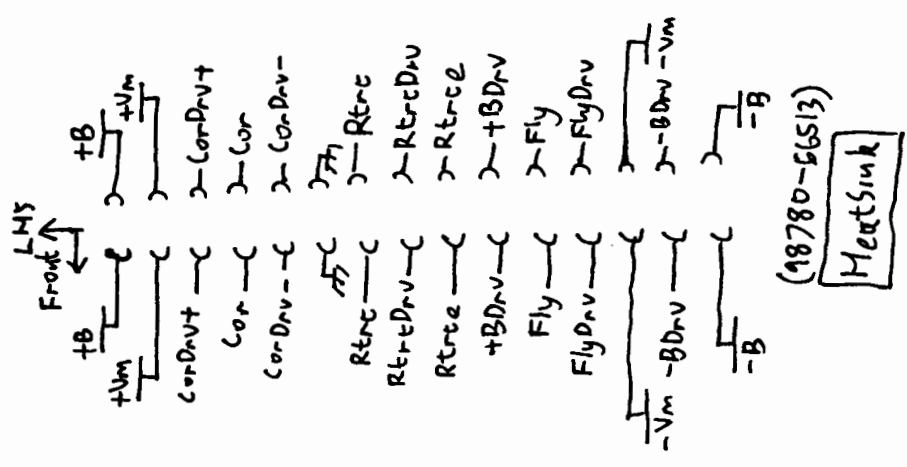
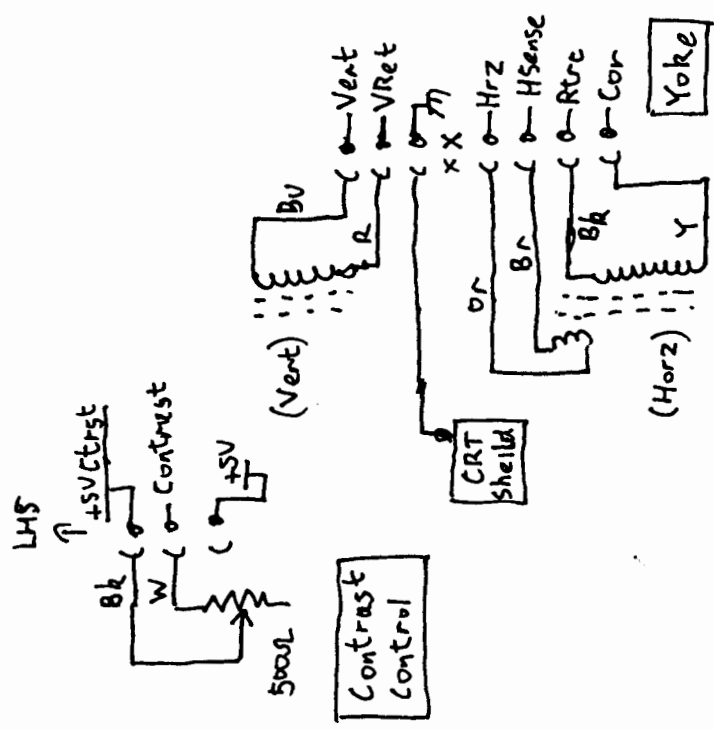
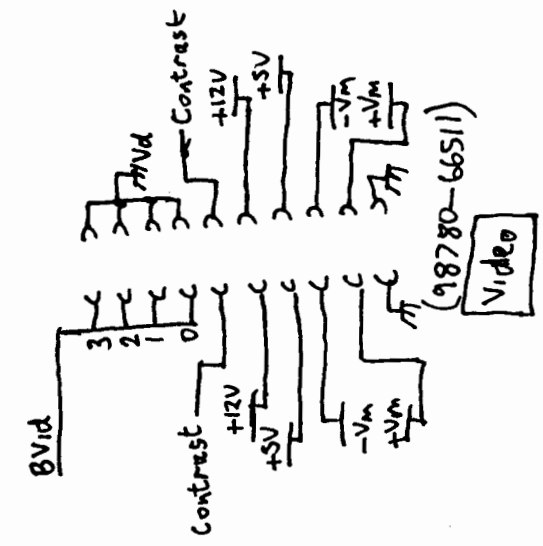
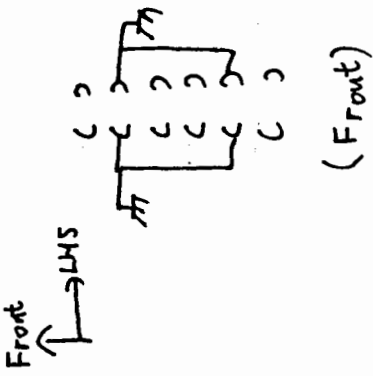
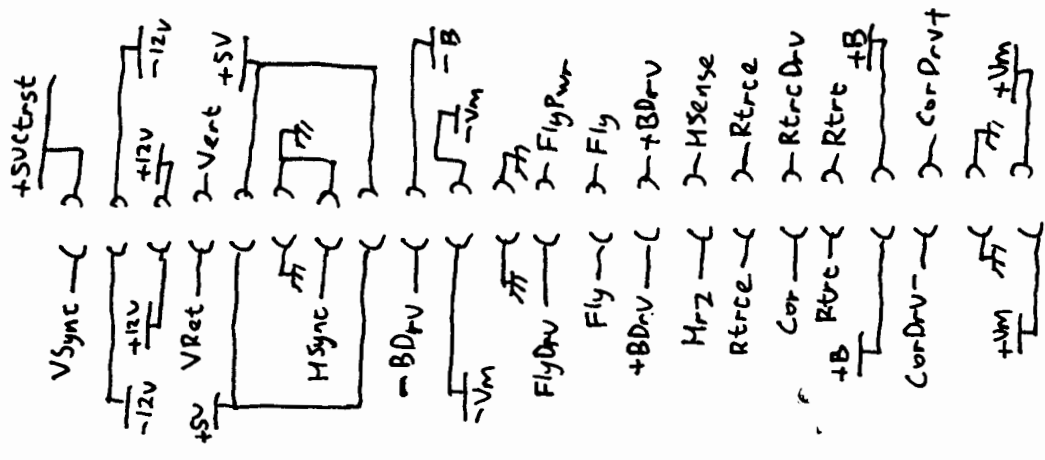
Text


(Rear)

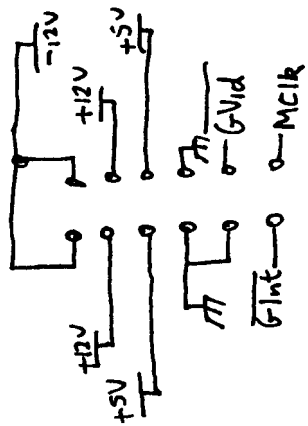
(98780-66532)

Interface

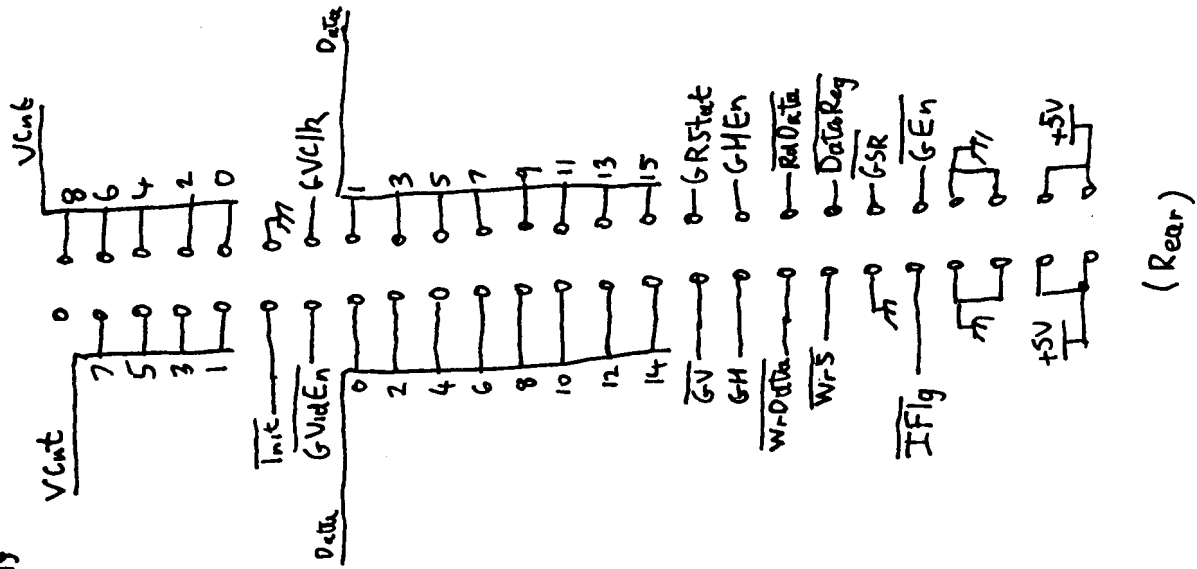
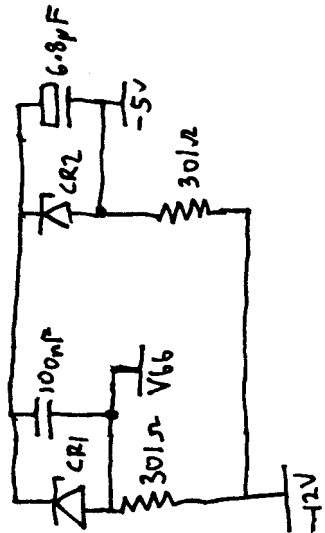
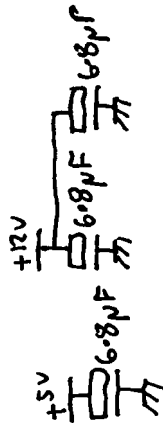
(Front)



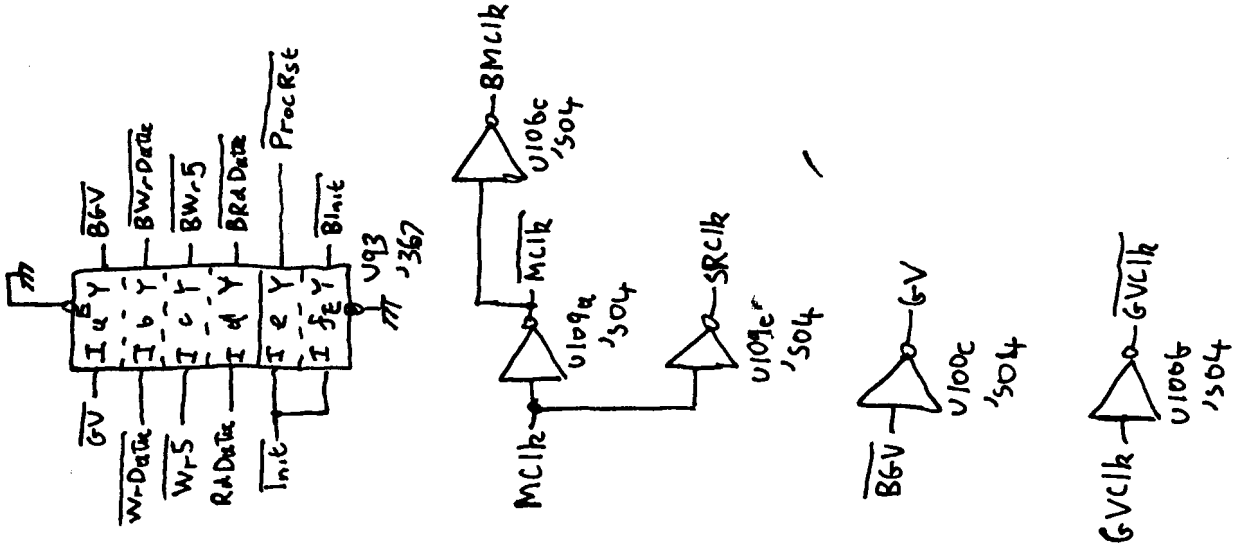
Front
 LM3

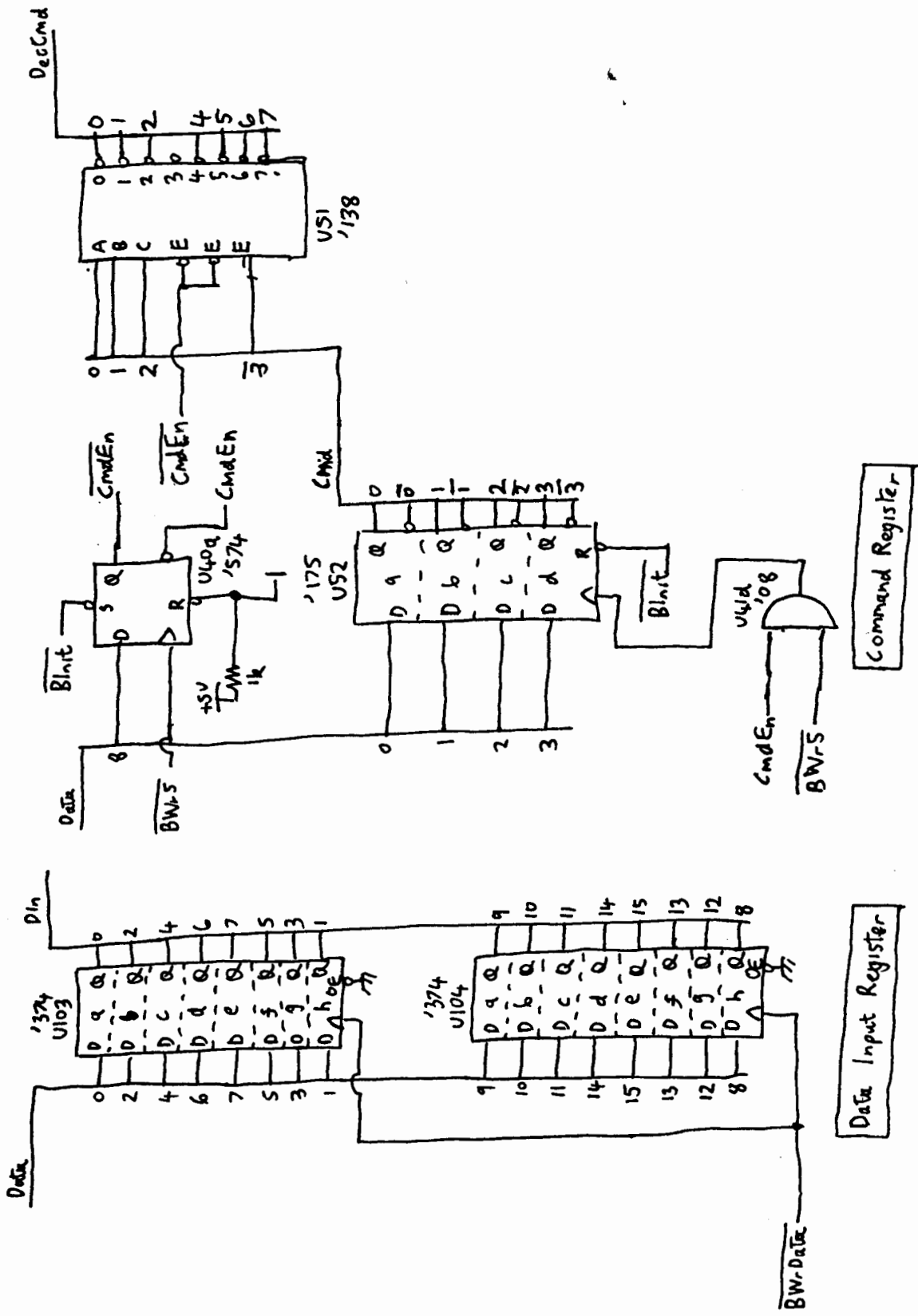


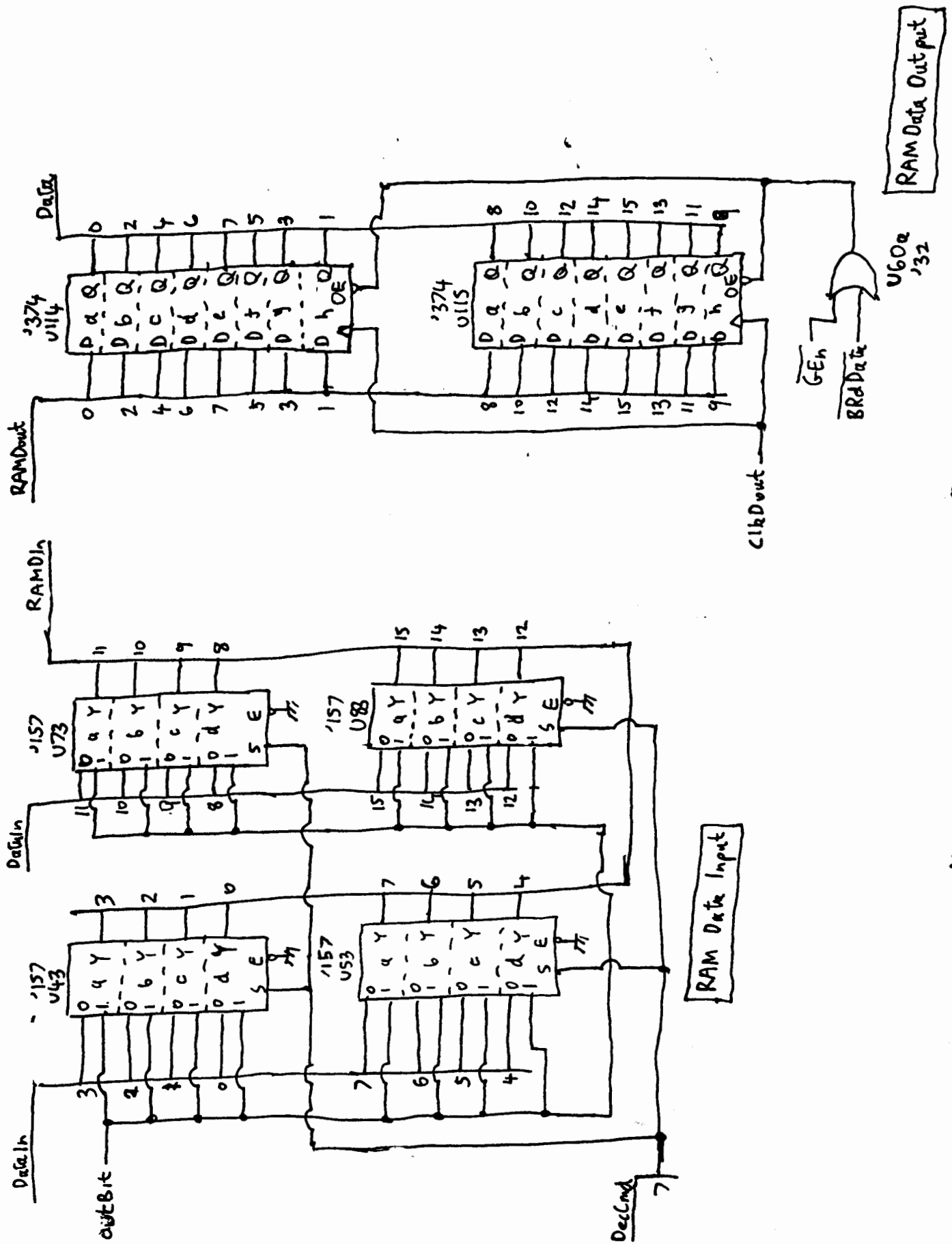
(Front)

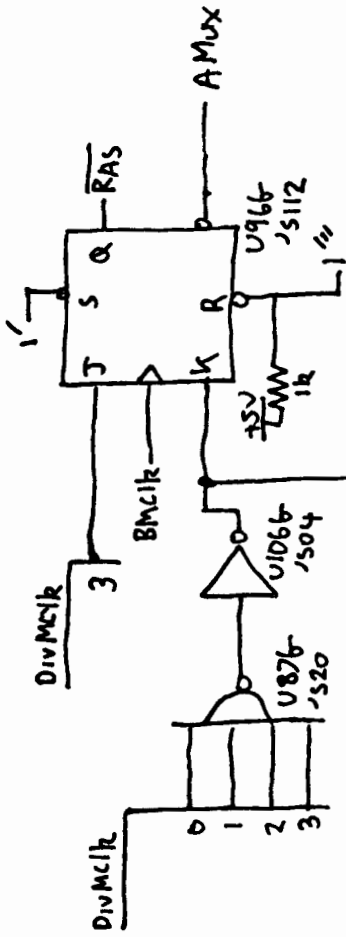
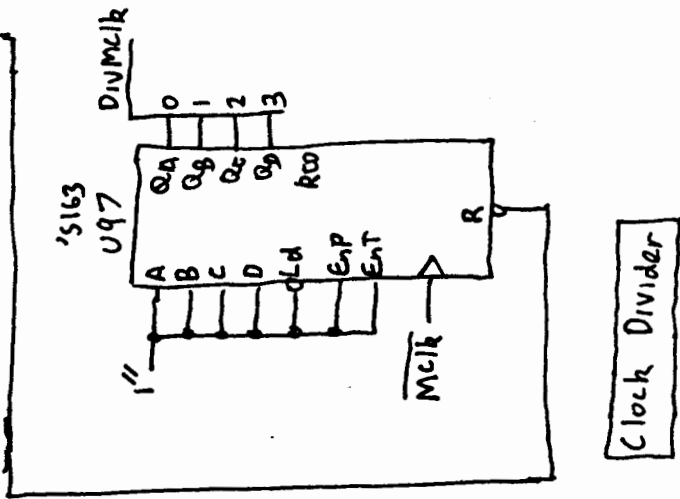
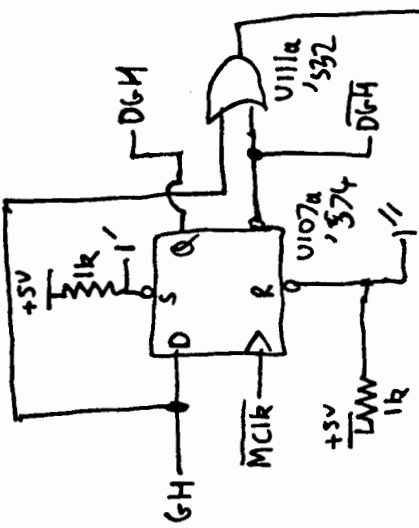


(Rear)

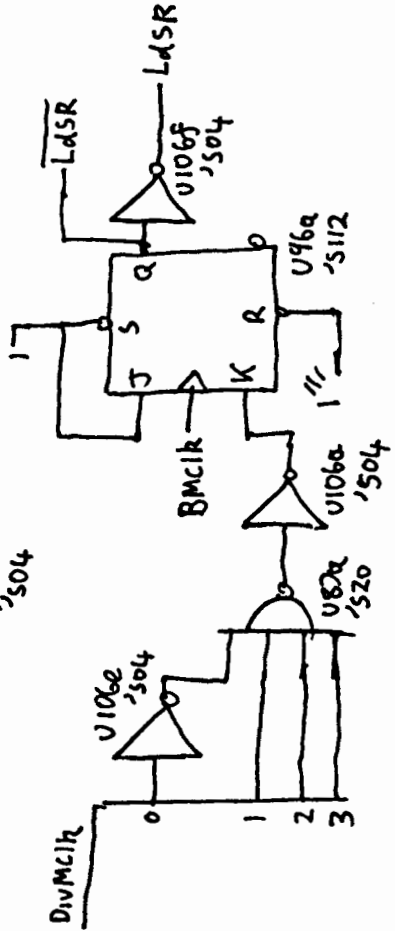
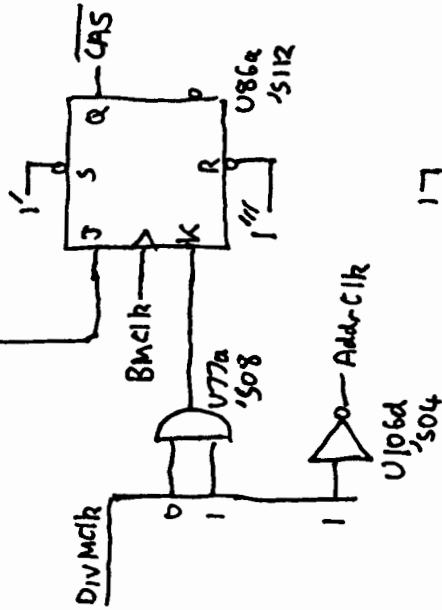


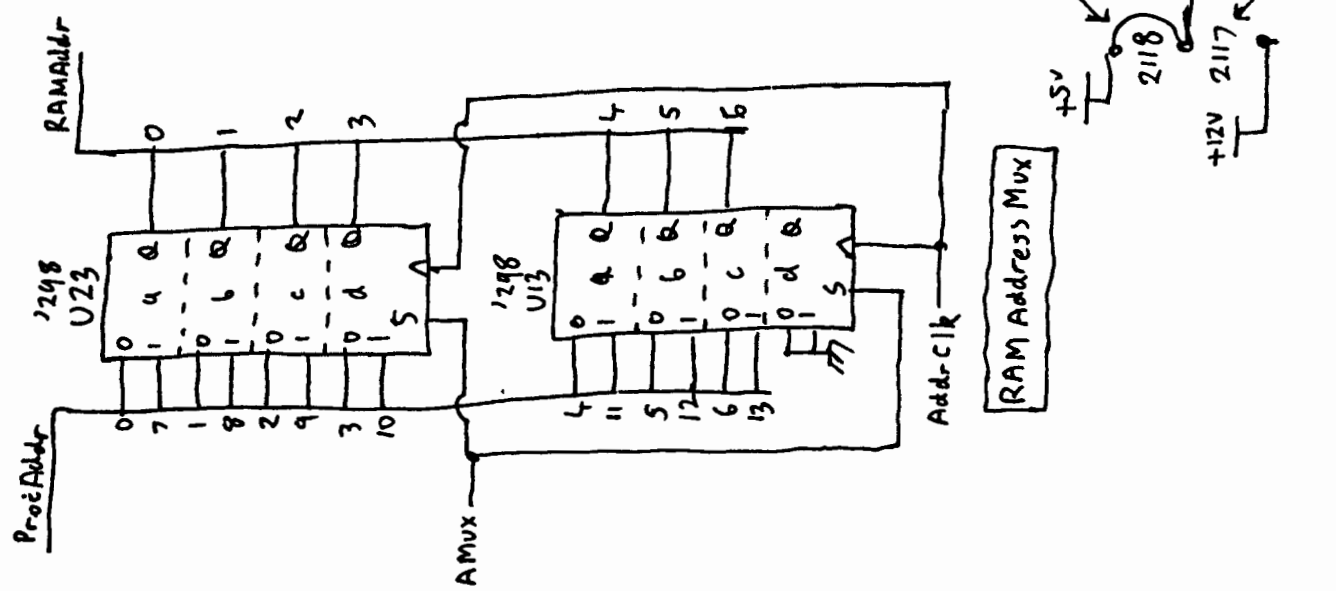
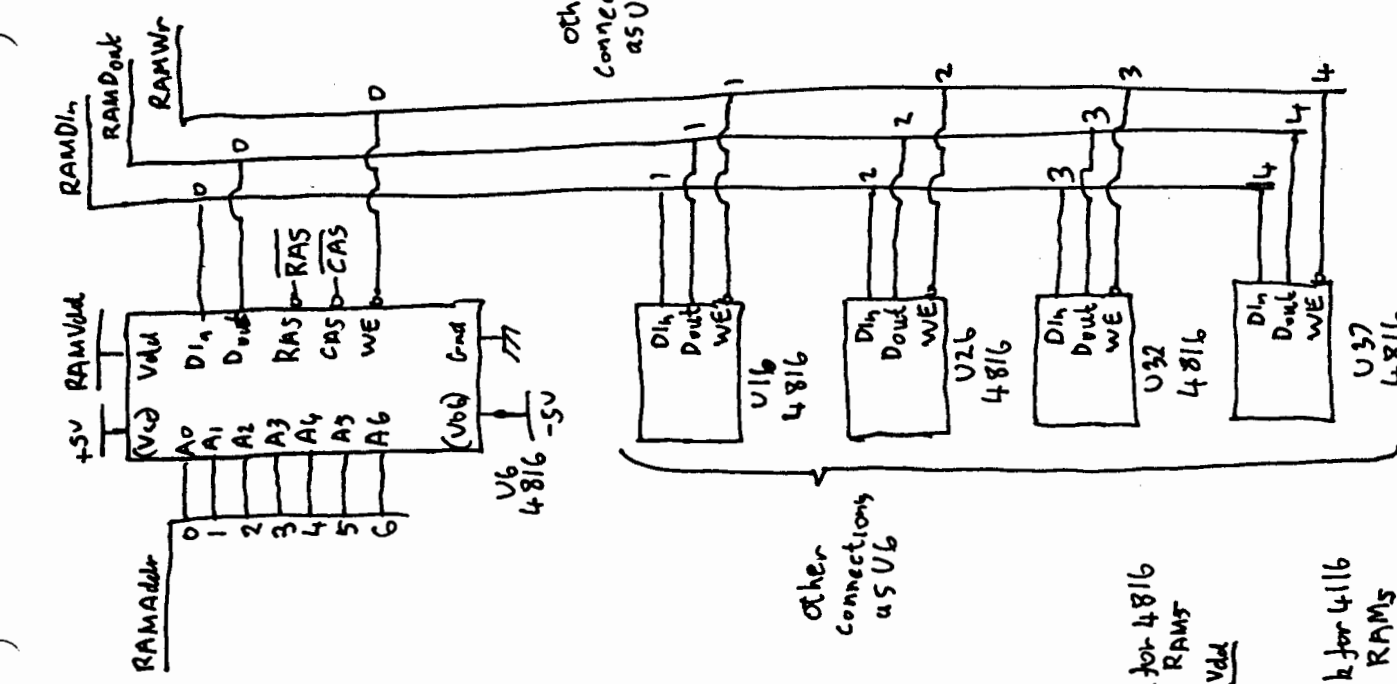
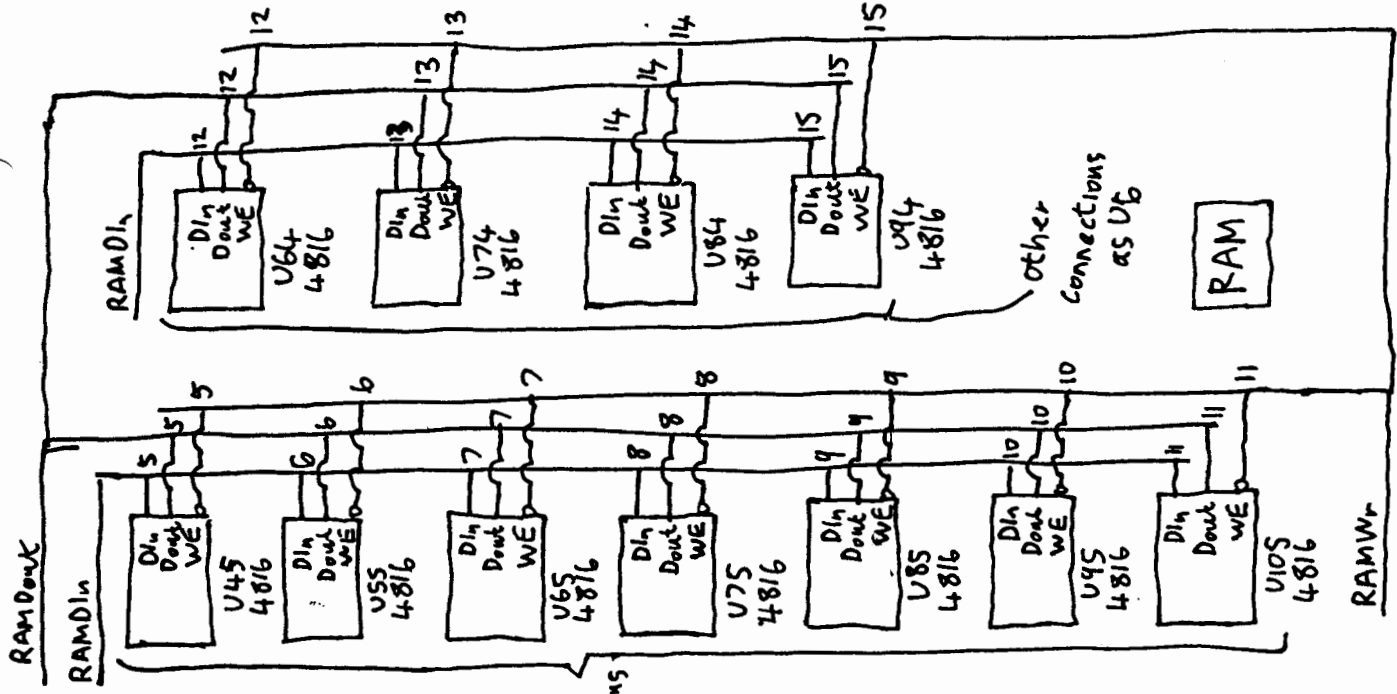


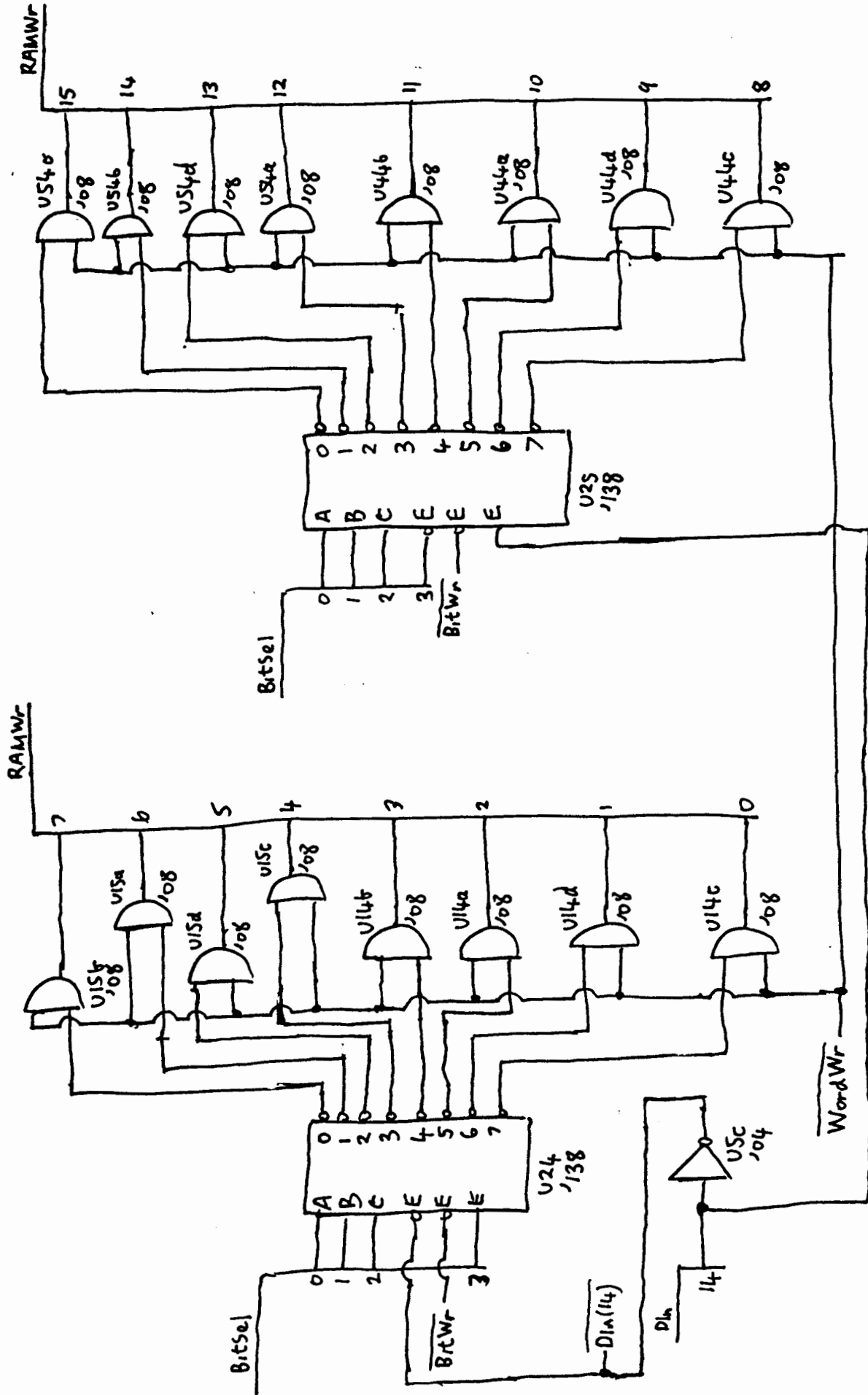




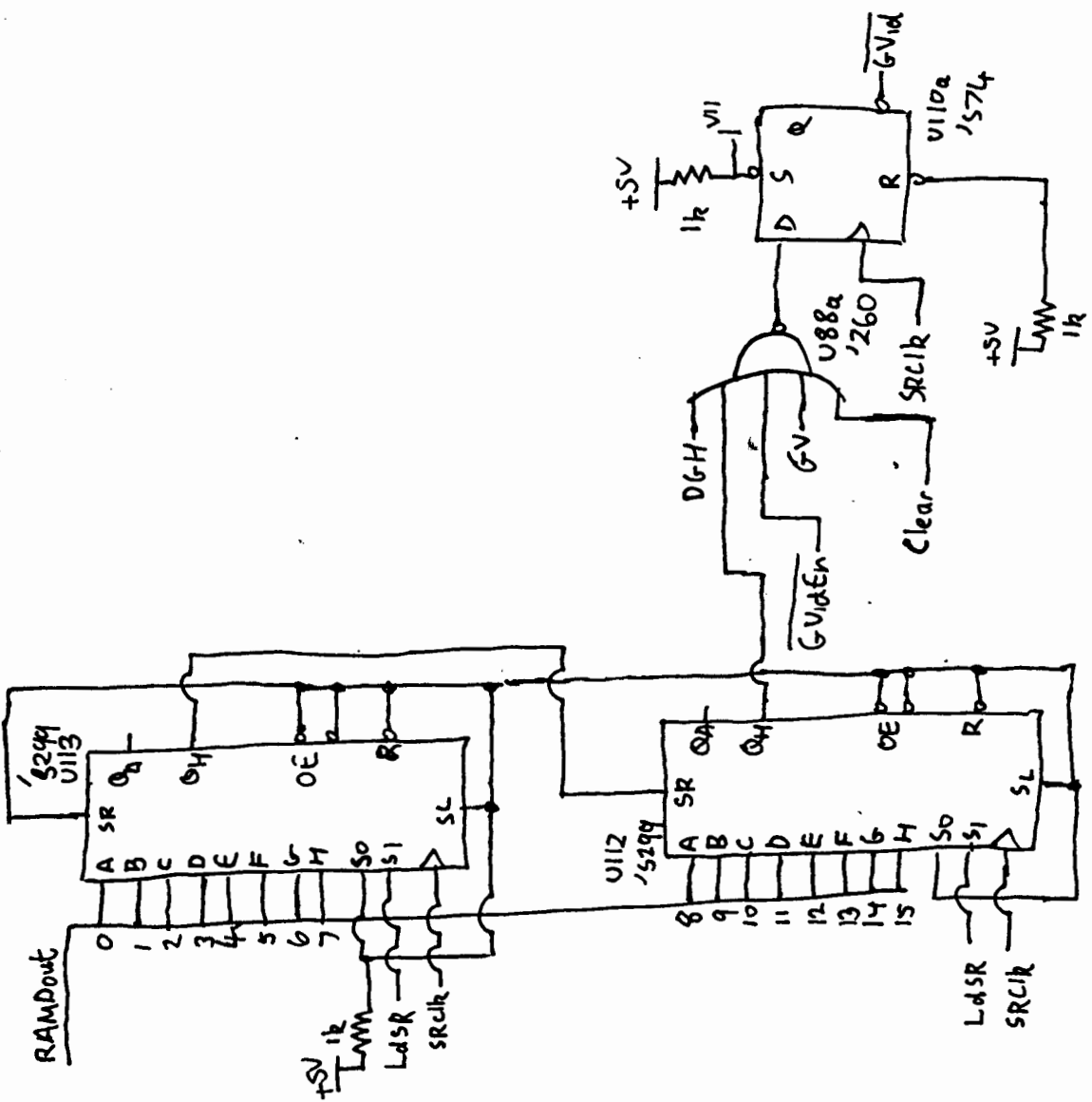
RAM Timing



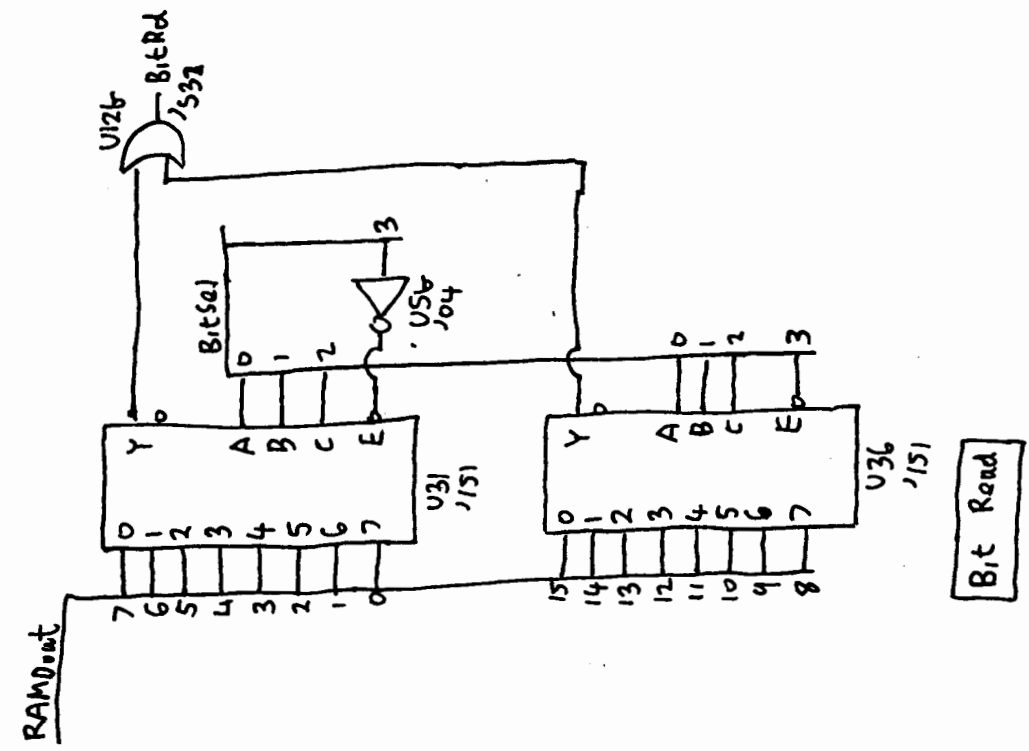




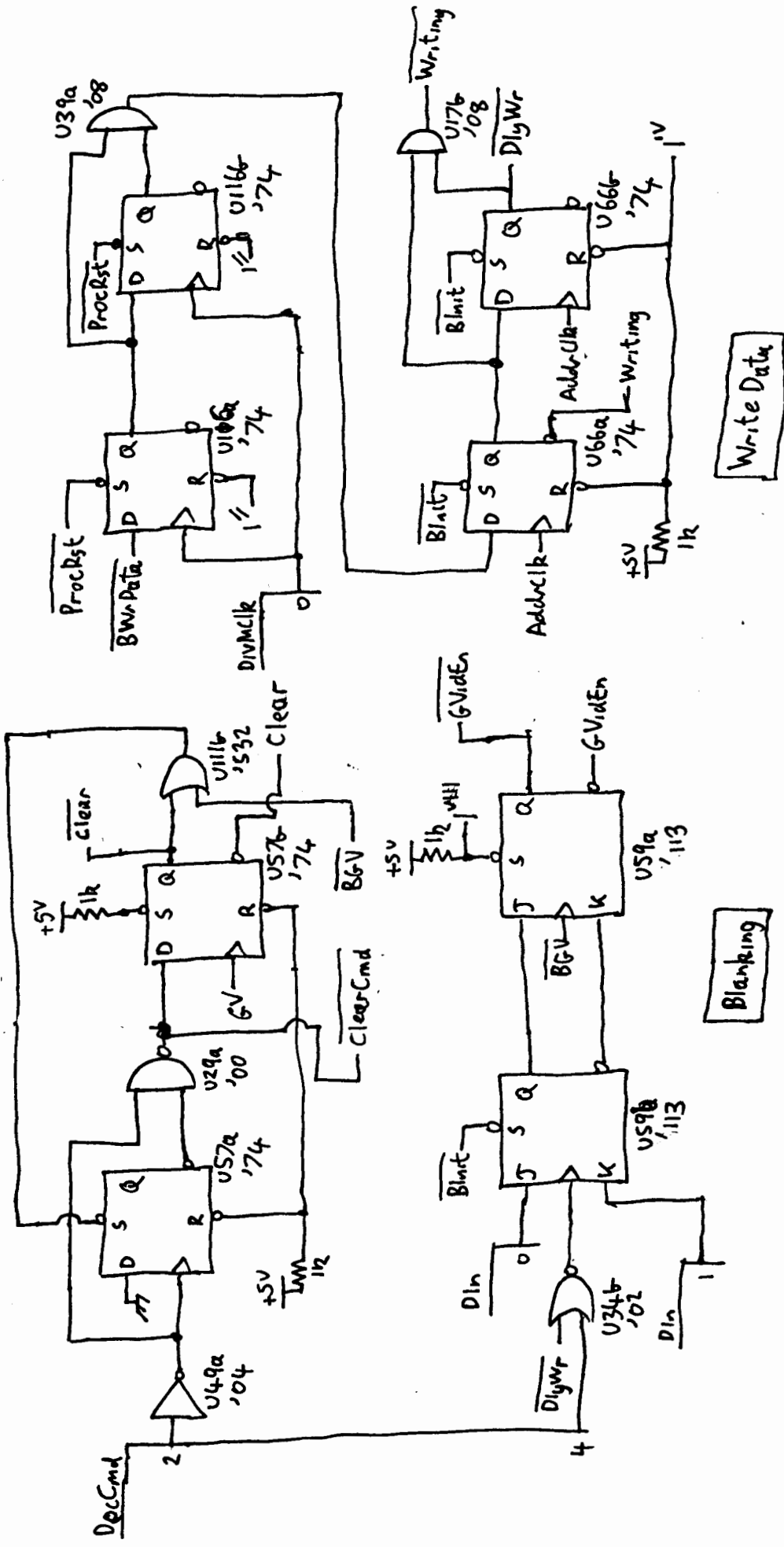
RAM Write

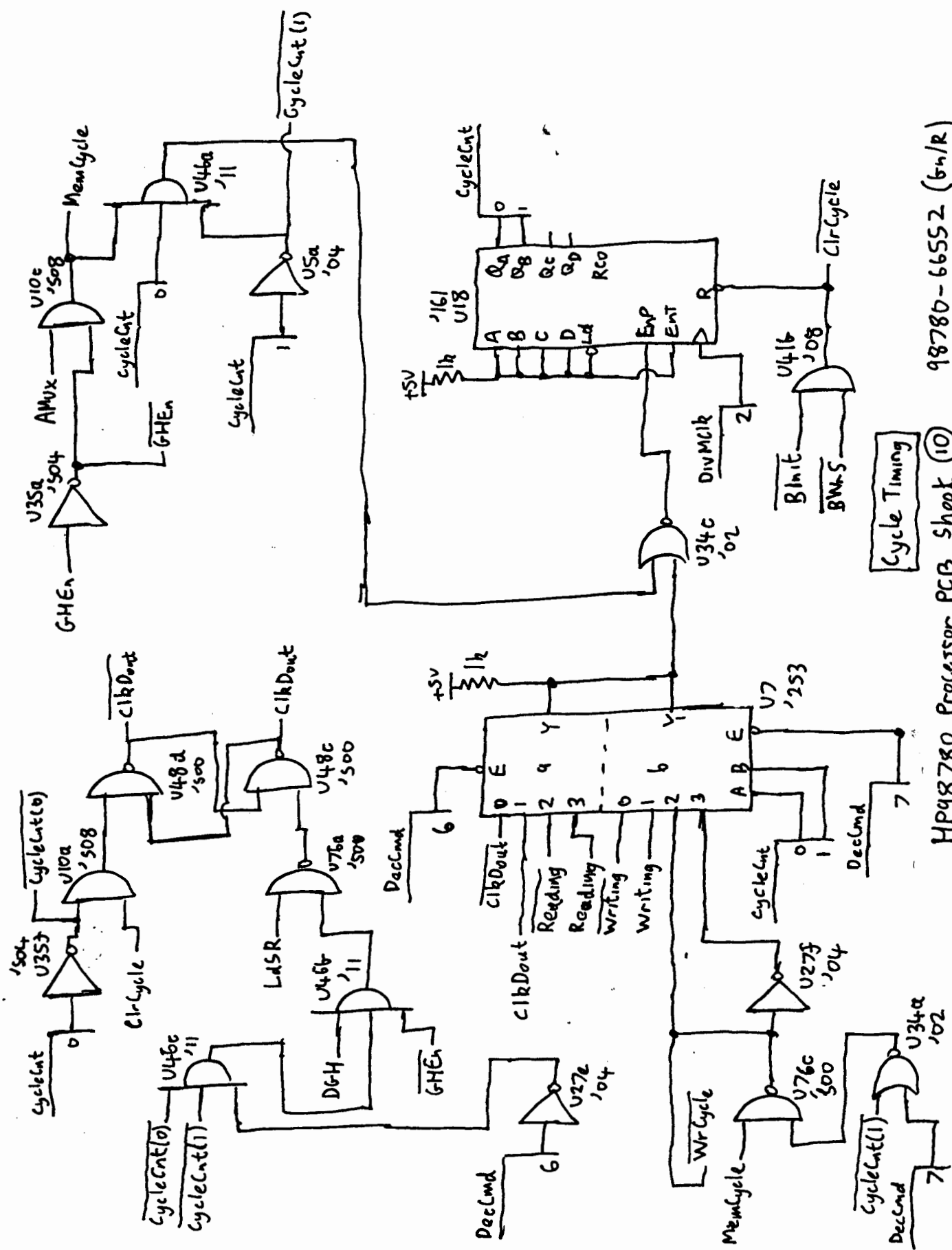


Dot Shift Register

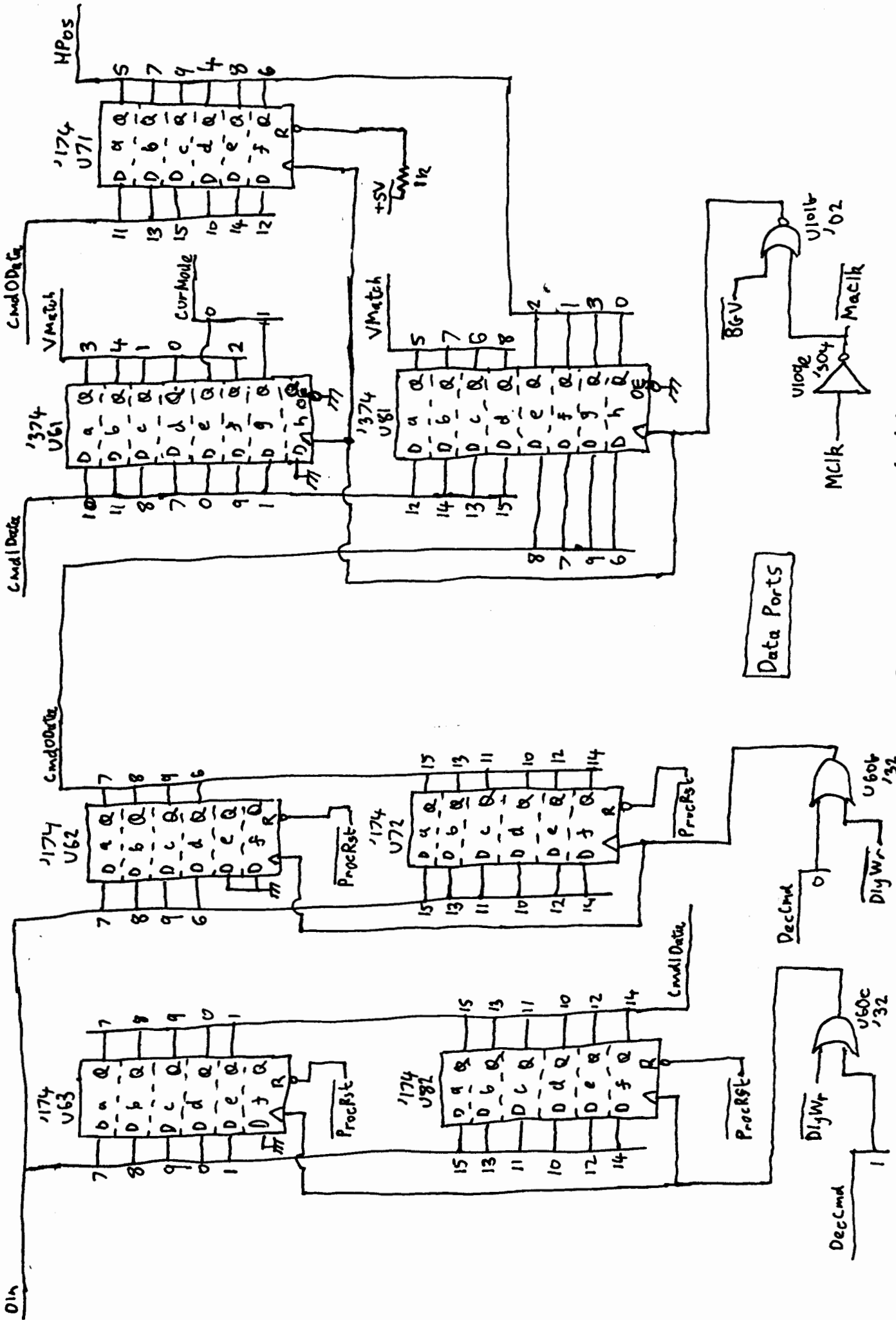


Bit Rand

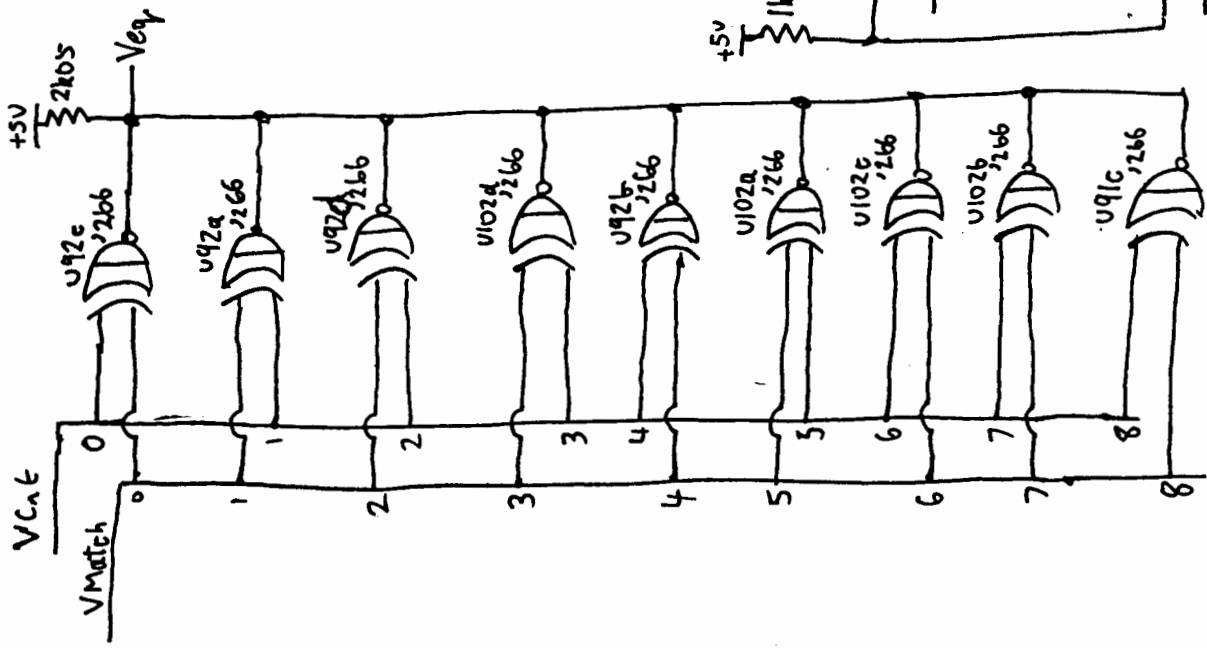




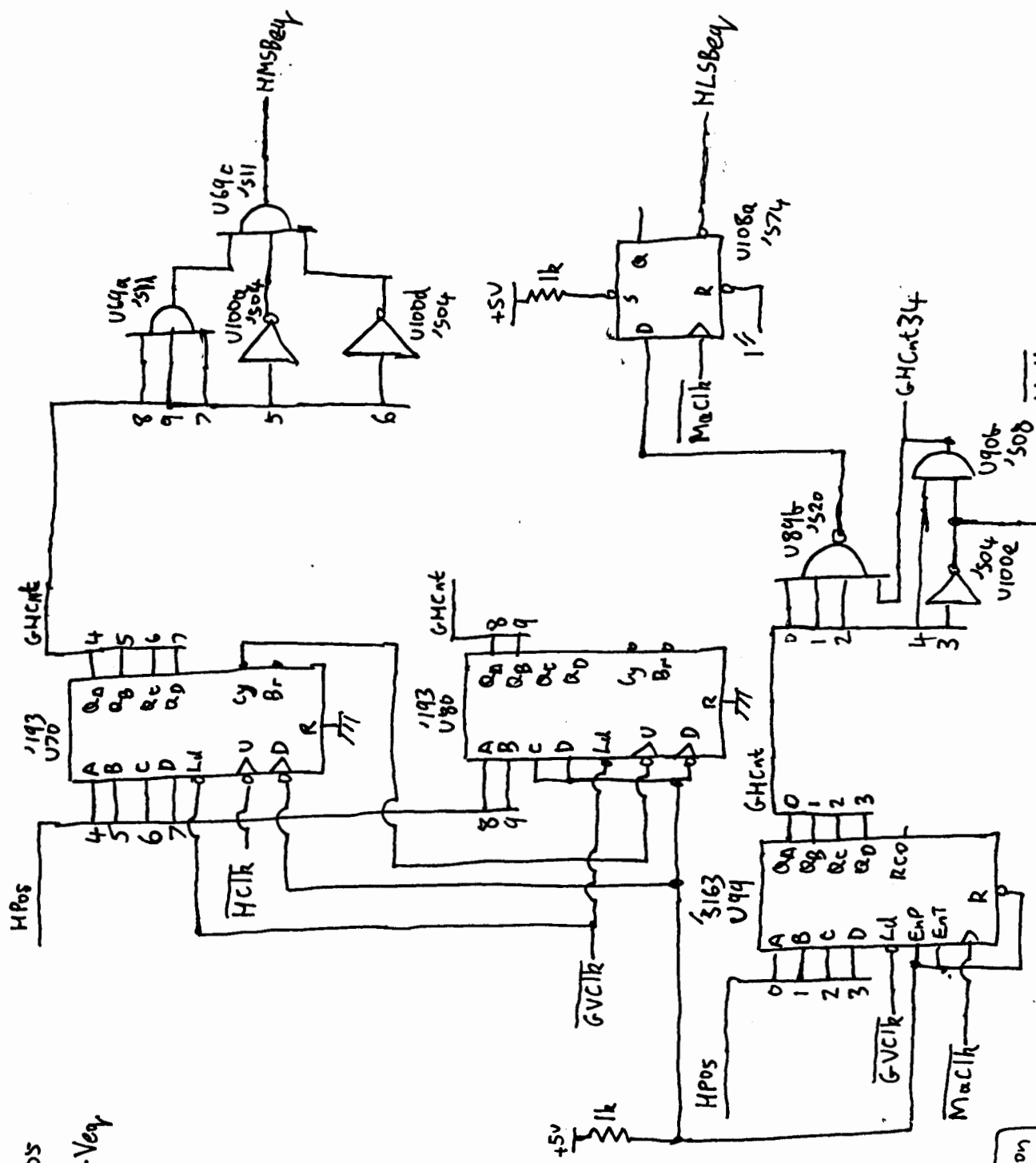
Cycle Timing

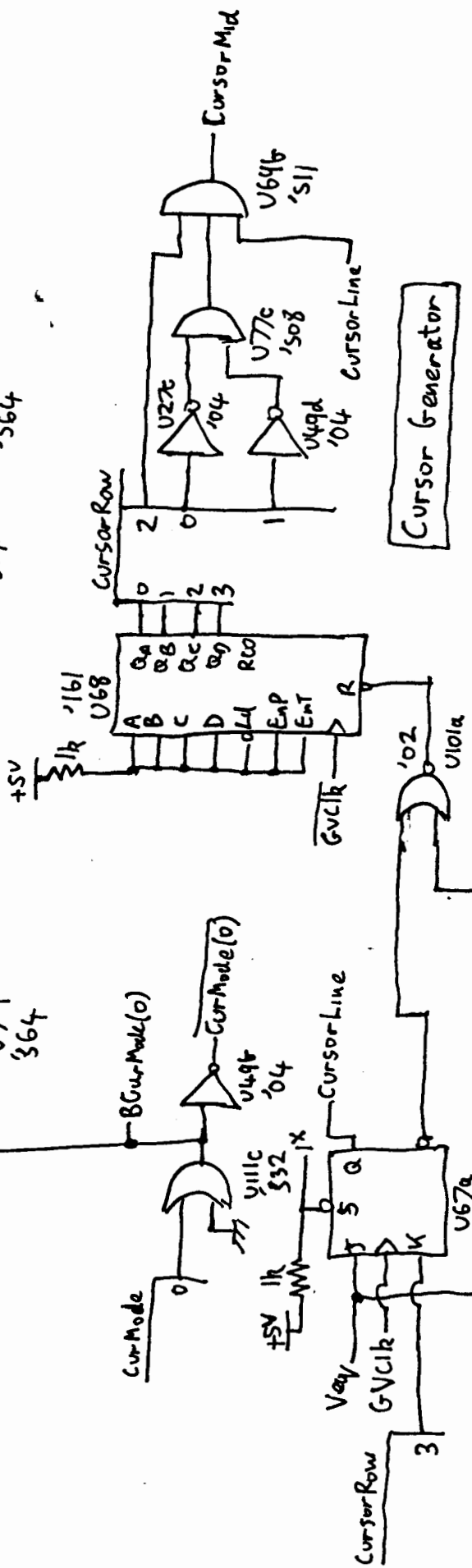
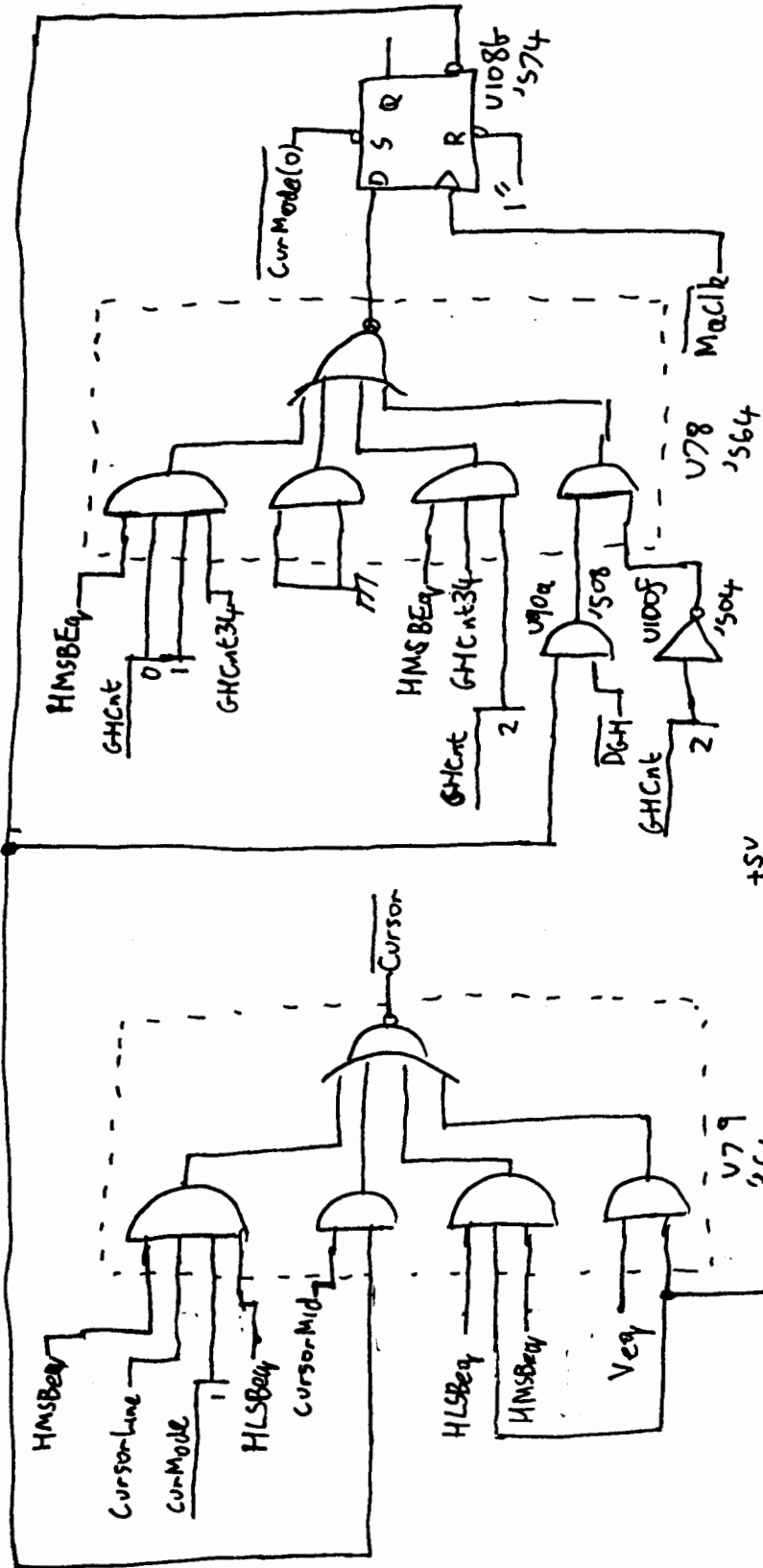


Data Ports



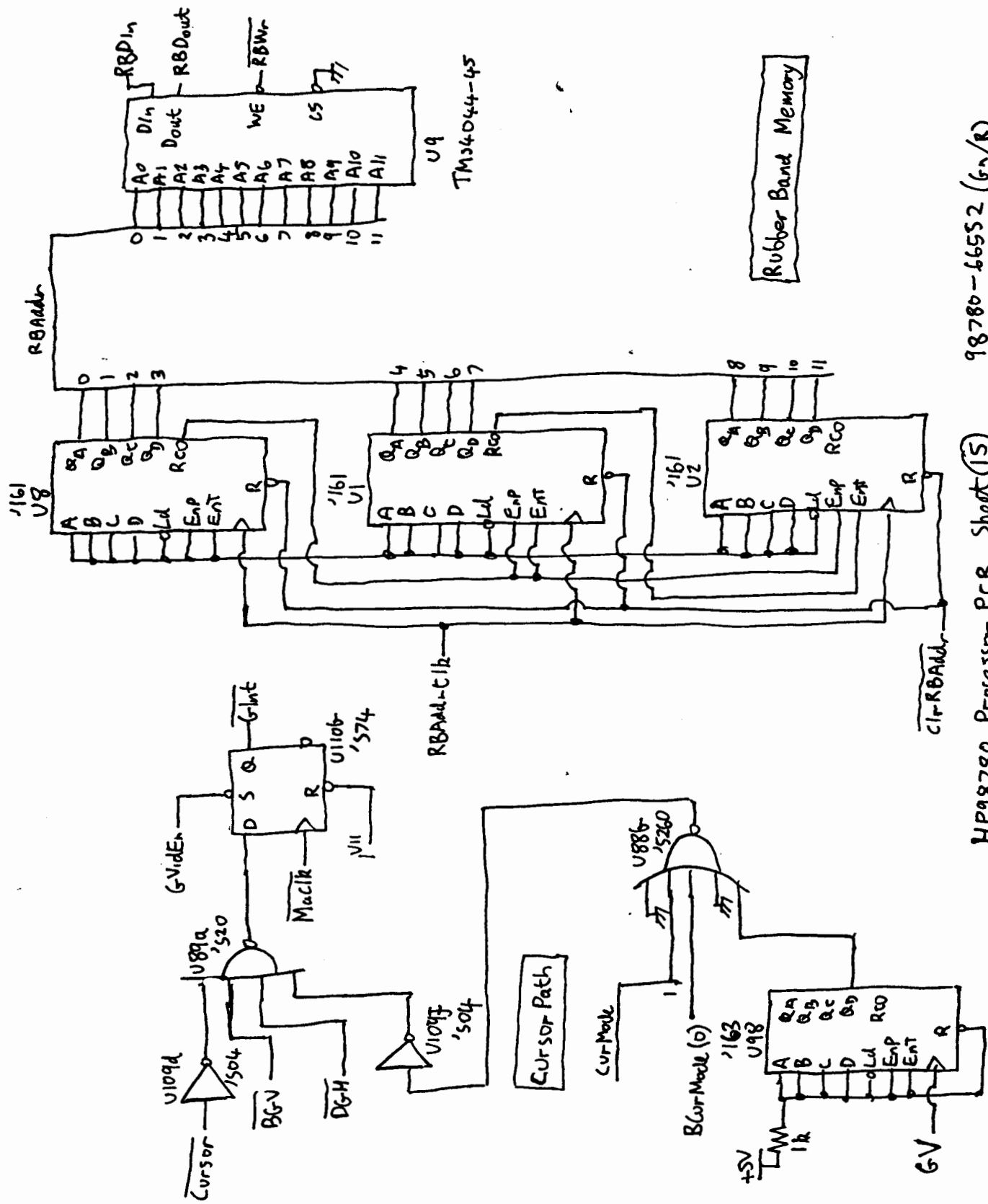
Cursor Position

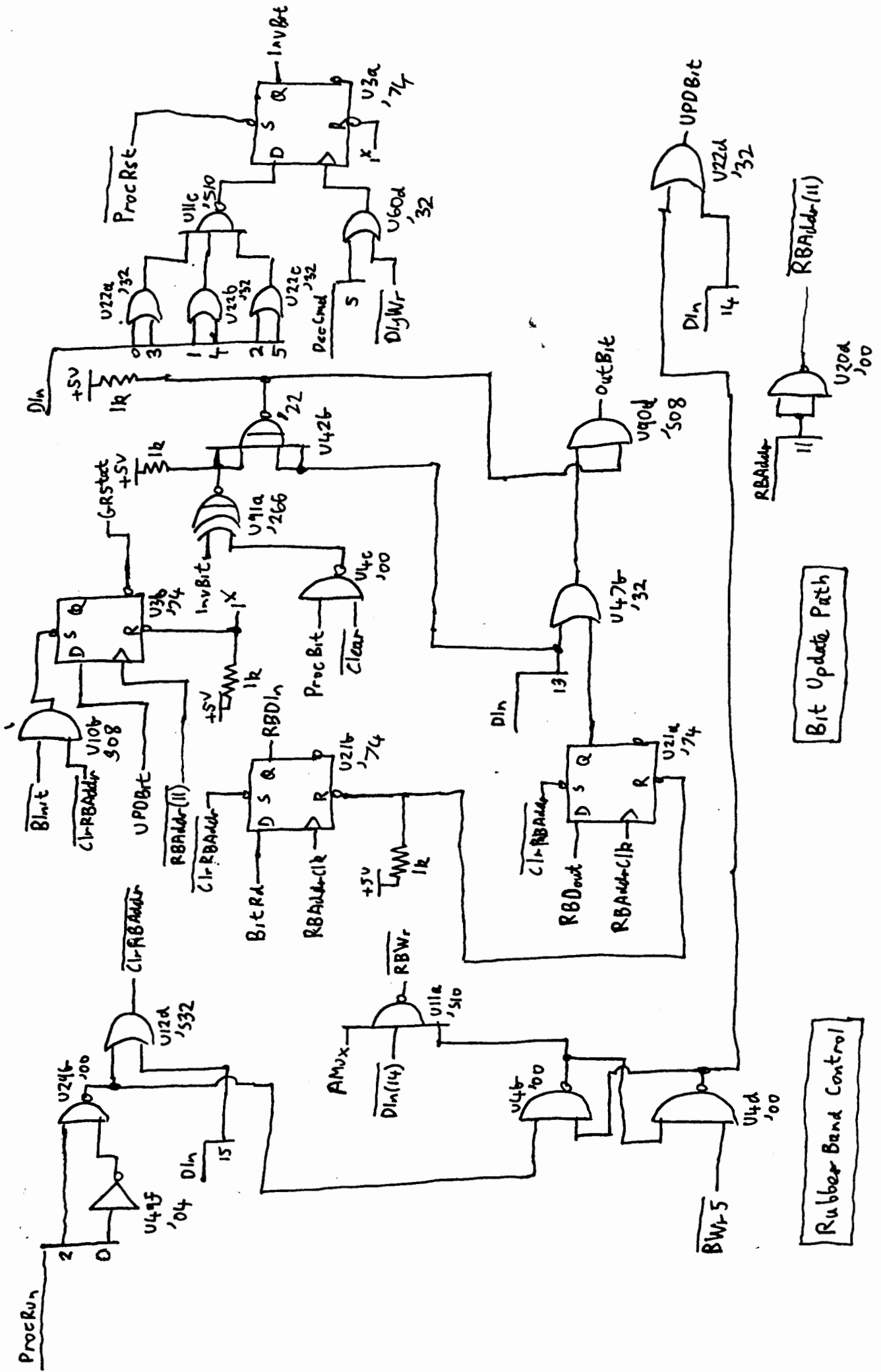


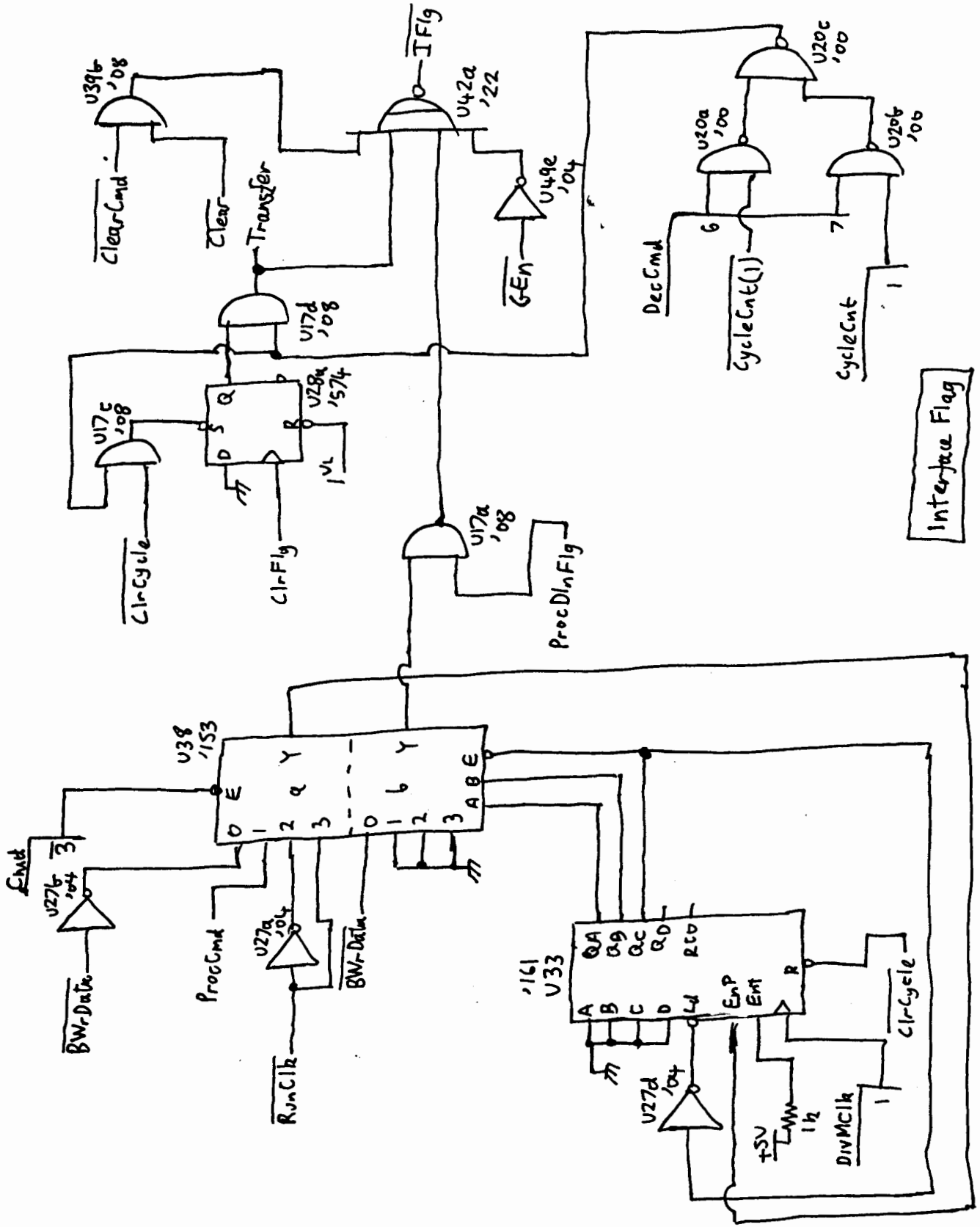


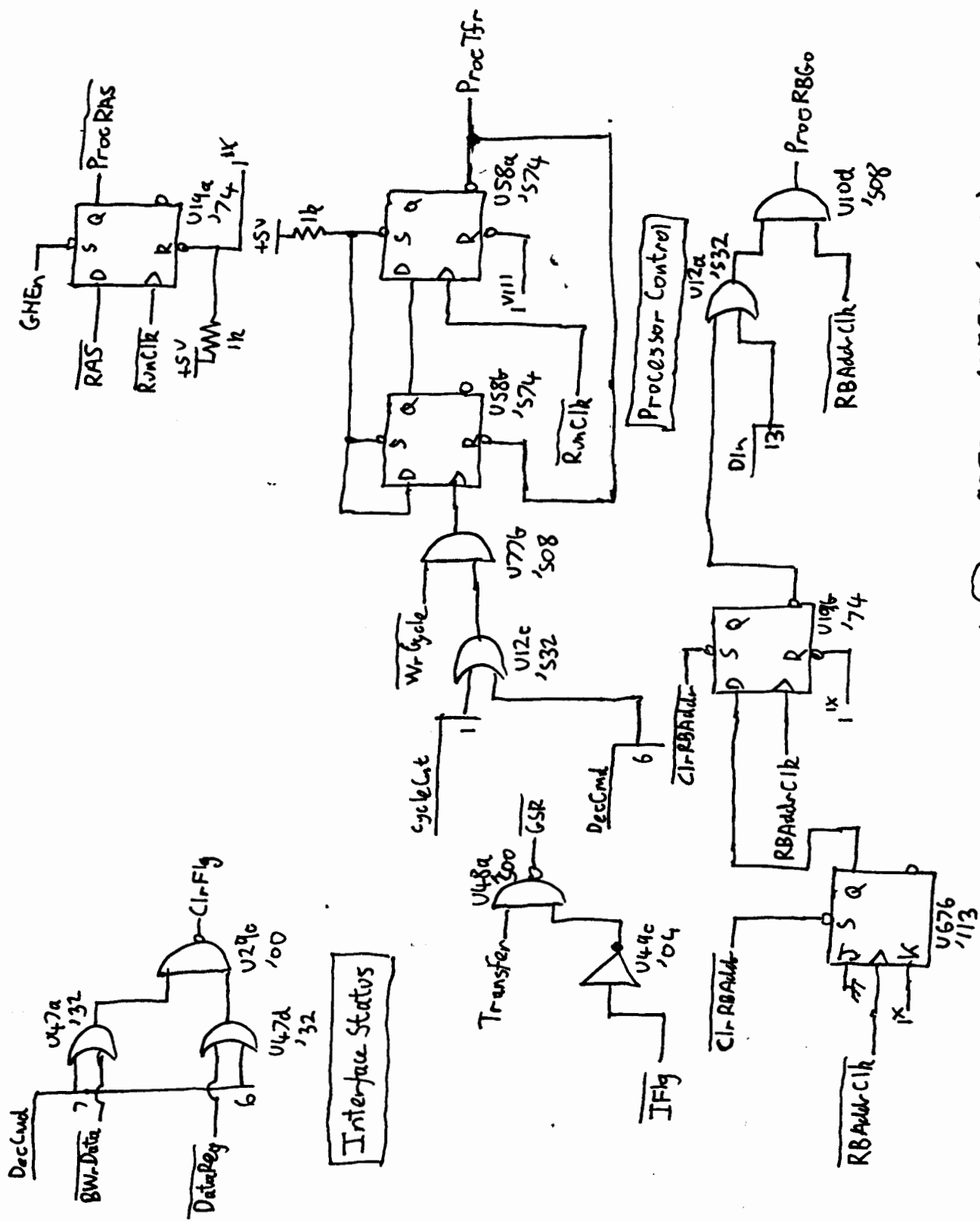
98780-66552 (Gm/R)

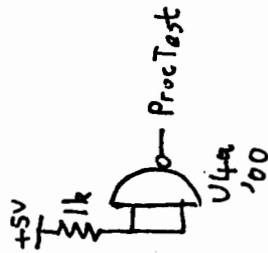
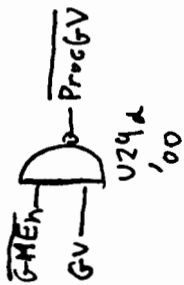
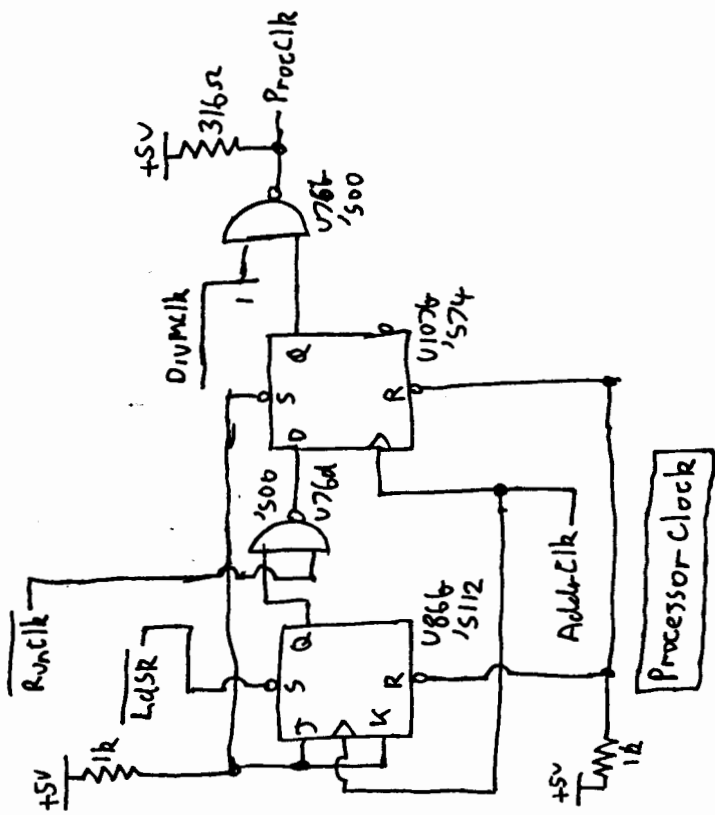
HP98780 Processor PCB Sheet (14)

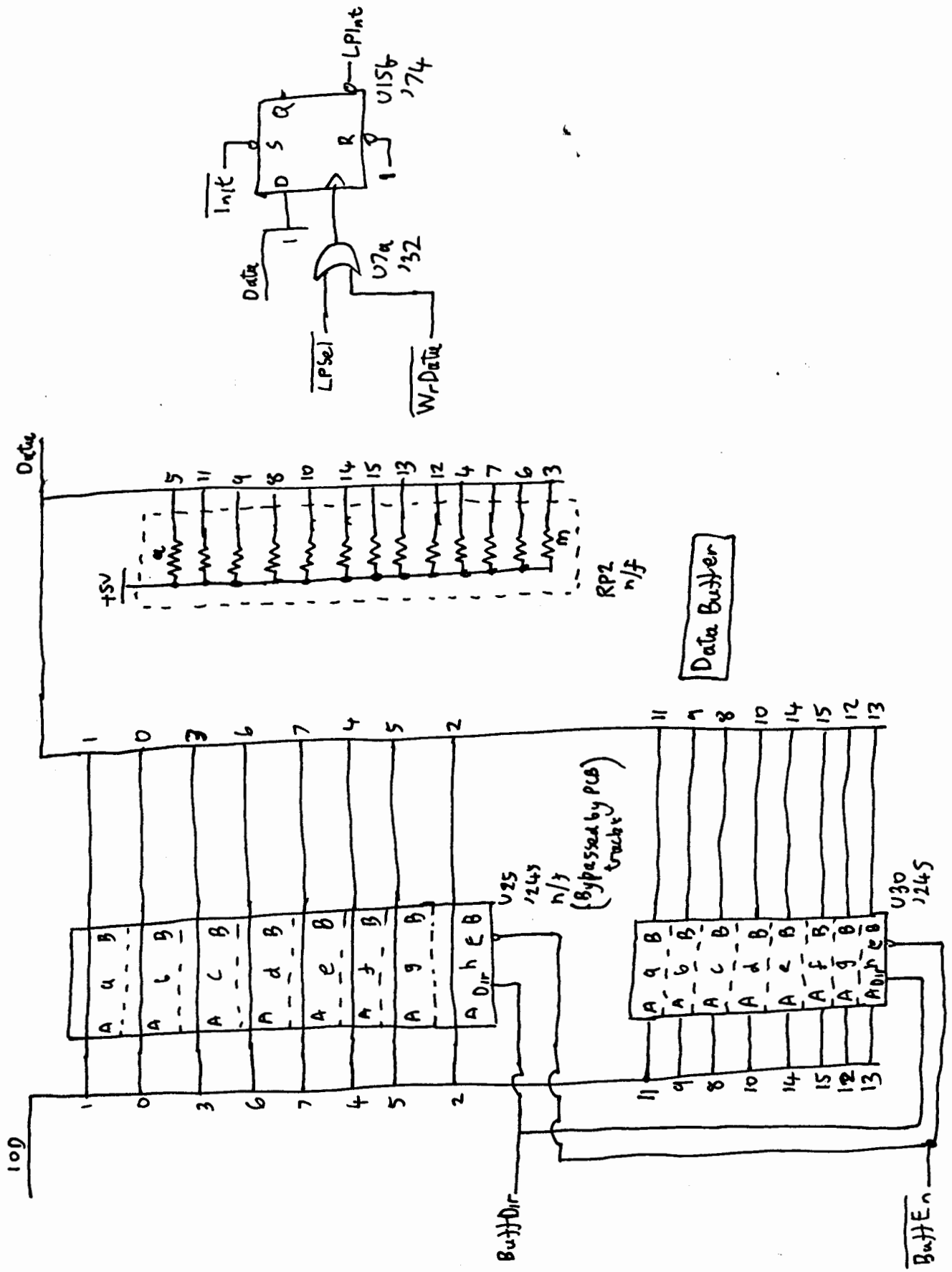








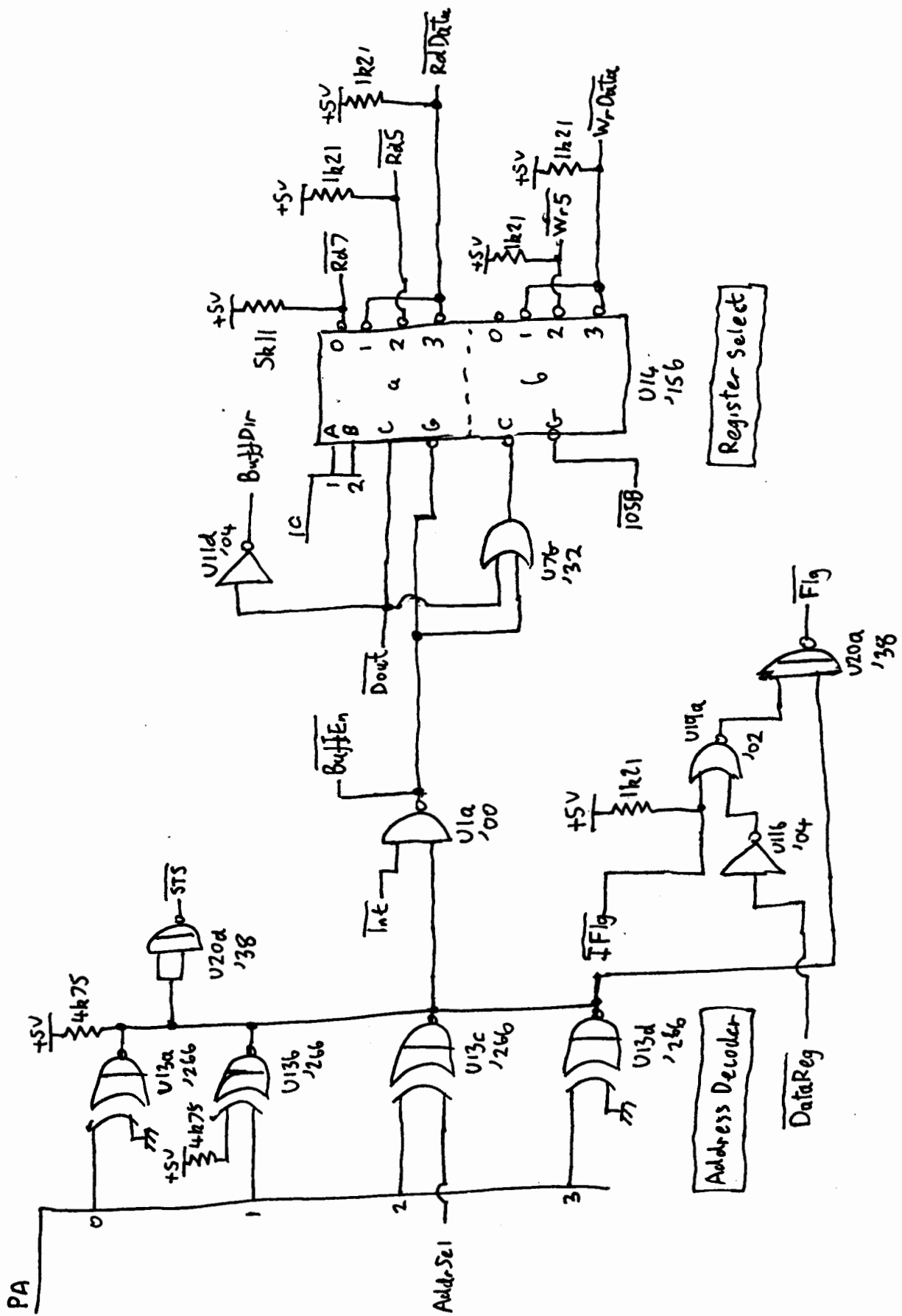


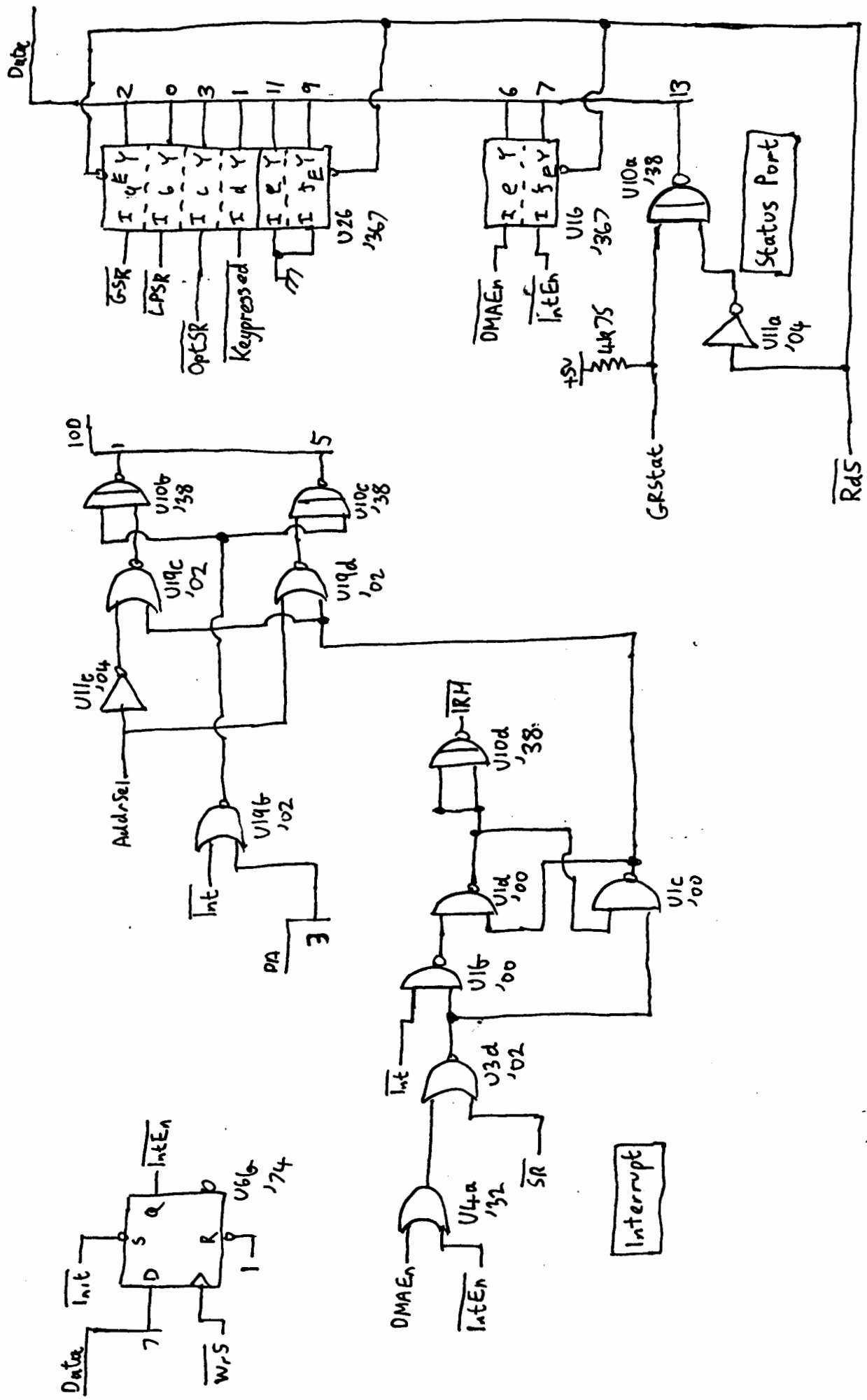


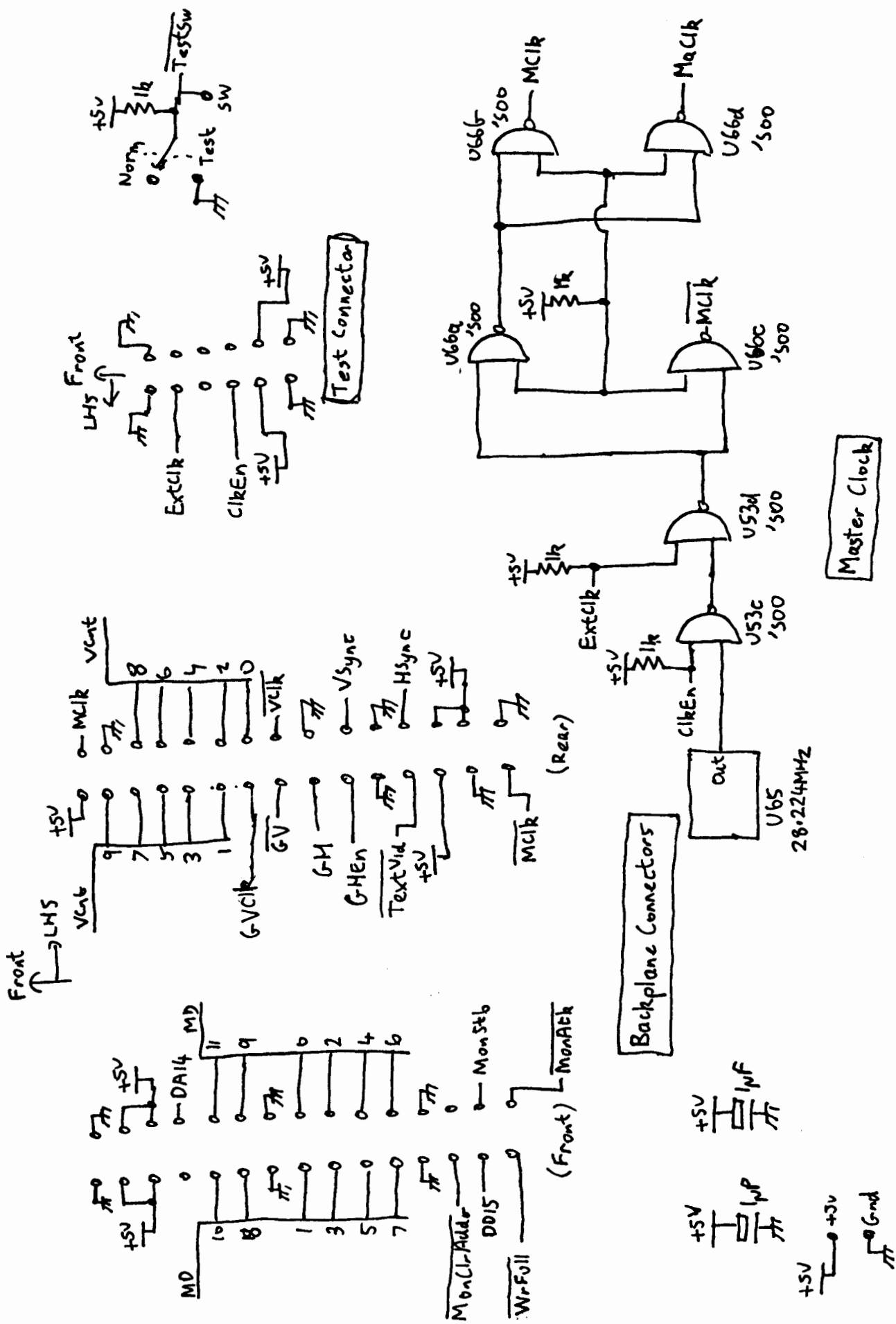
98780-66532 (Dr/R)

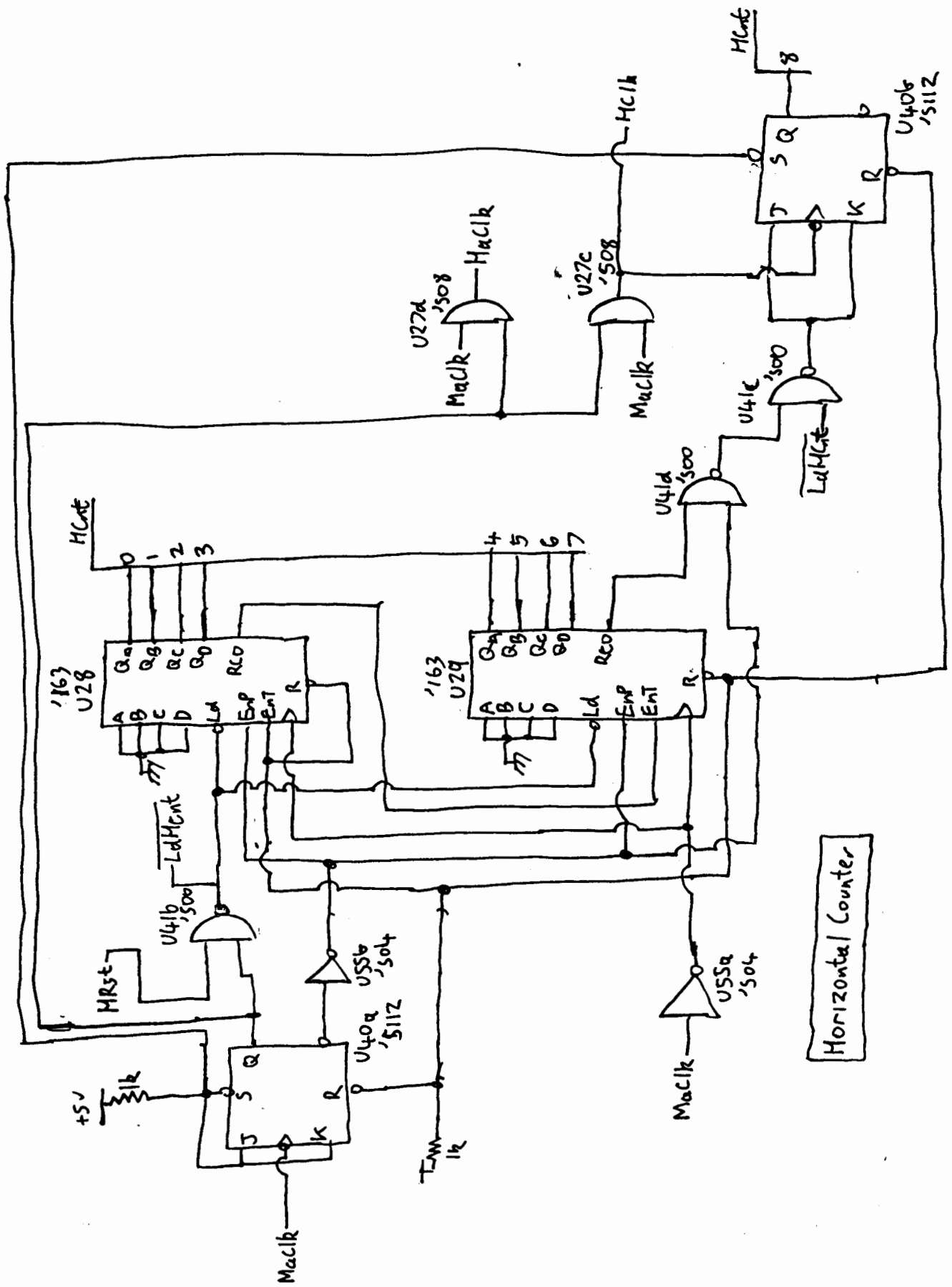
Sheet 2

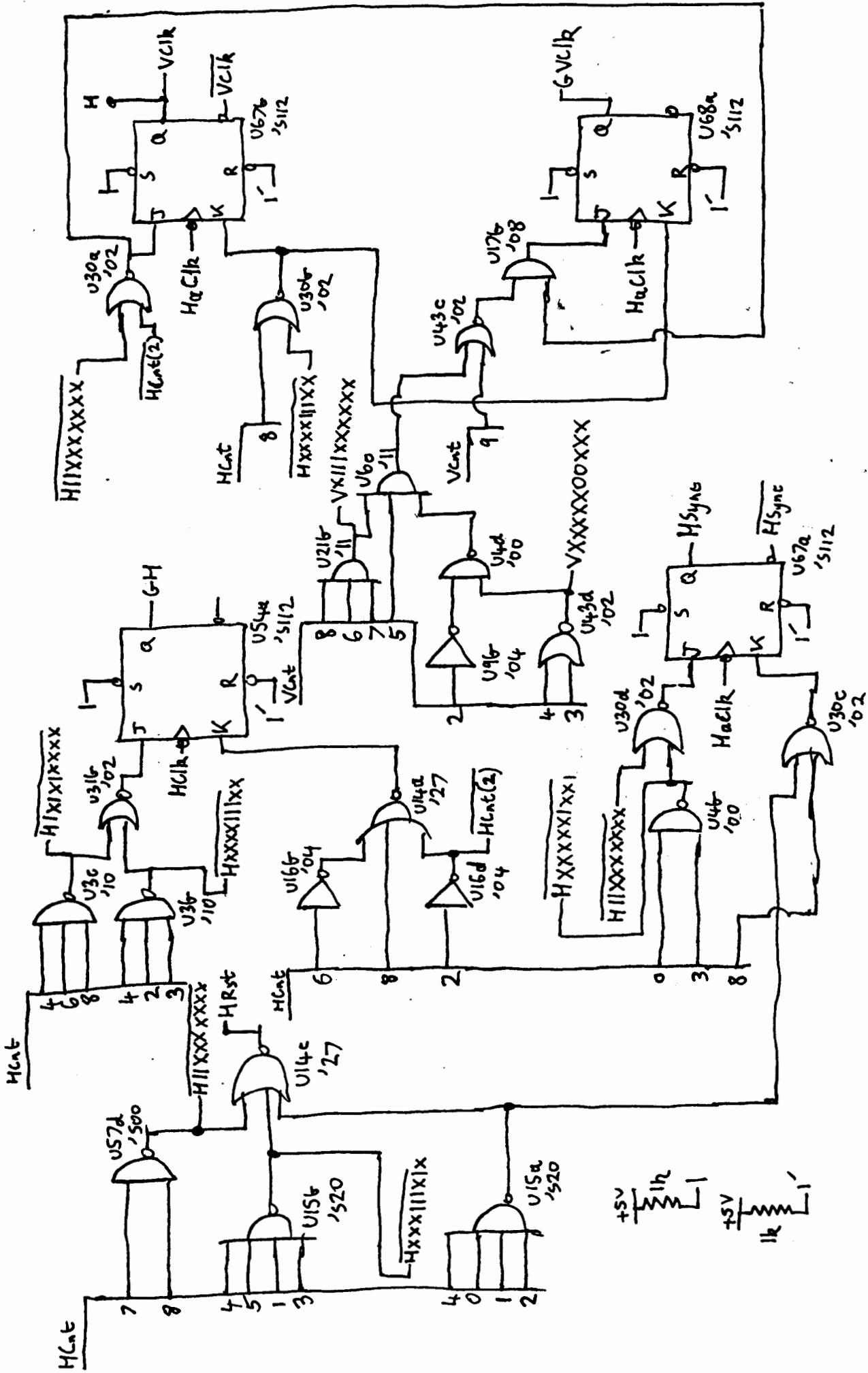
HP 98780 Interface PCB



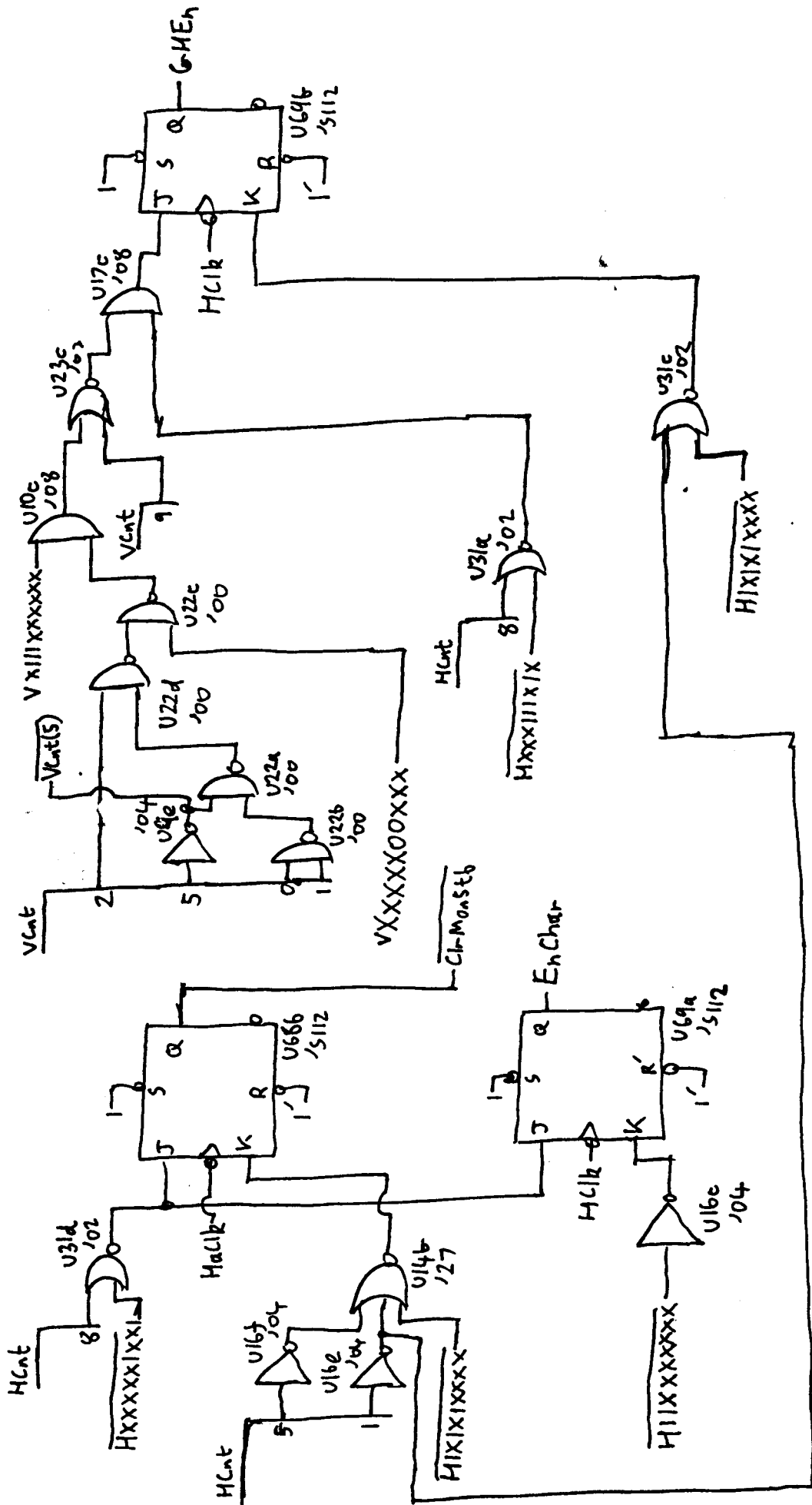




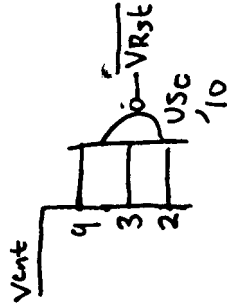
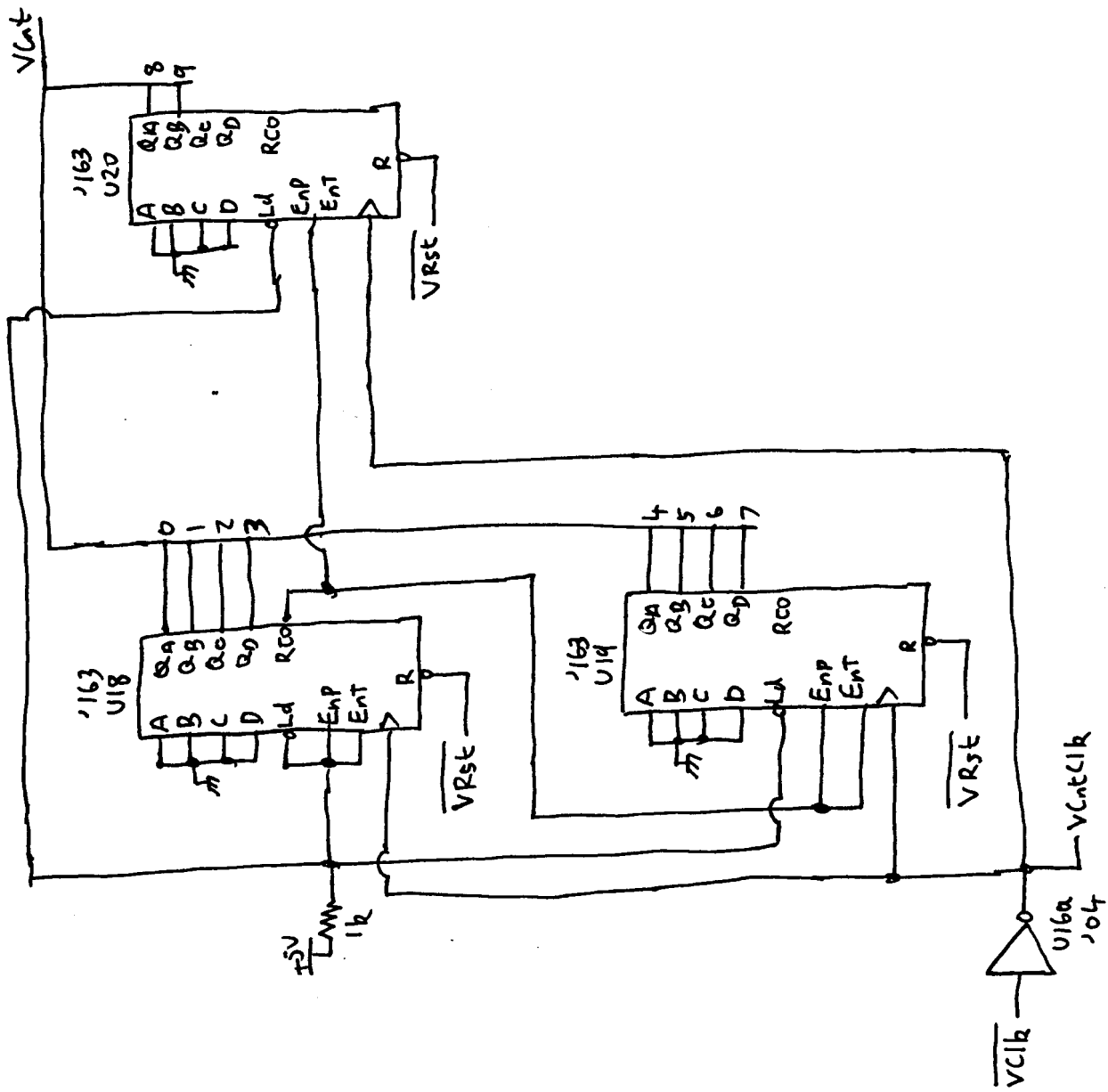




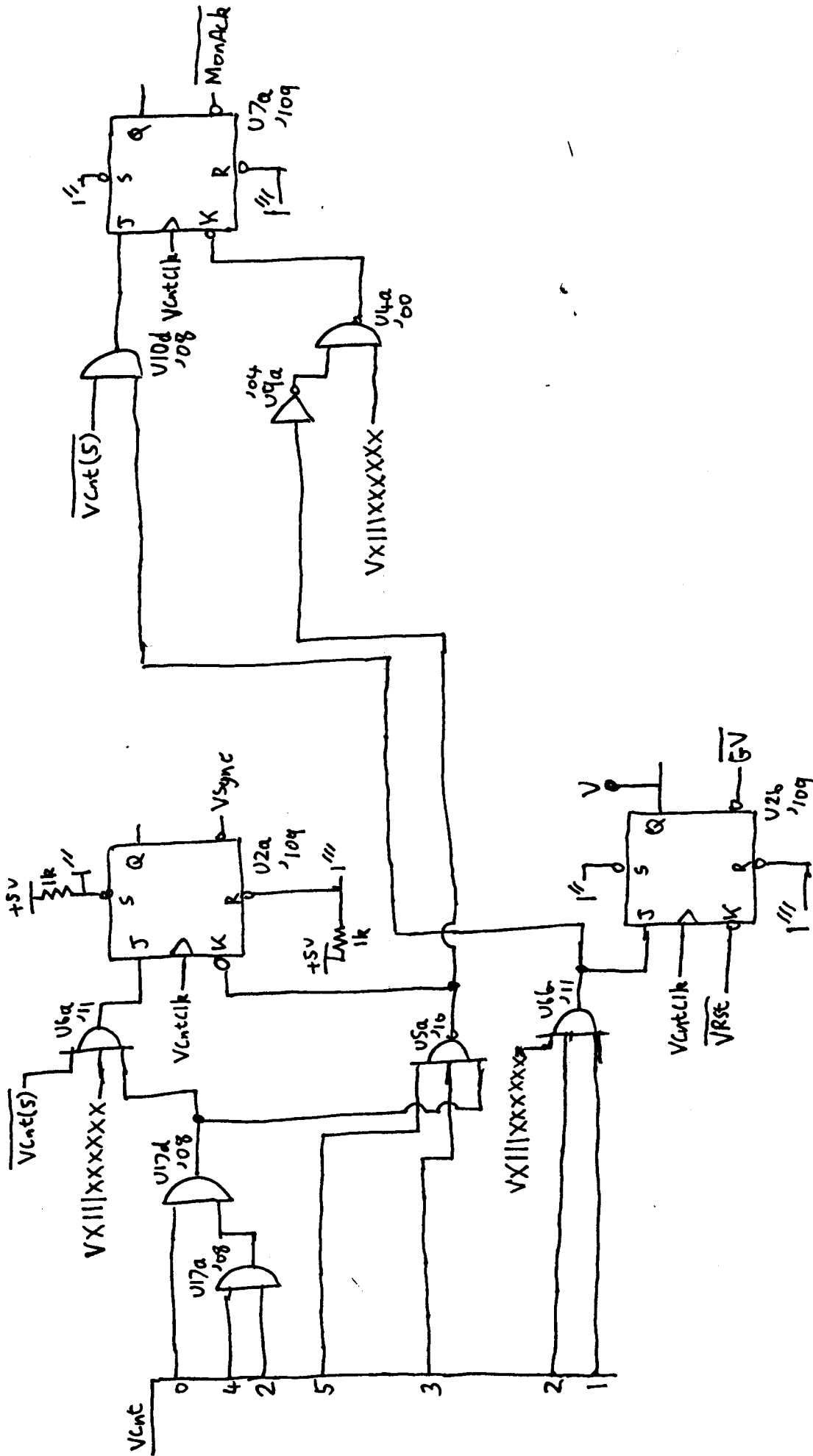
Horizontal Timing



Horizontal Timing

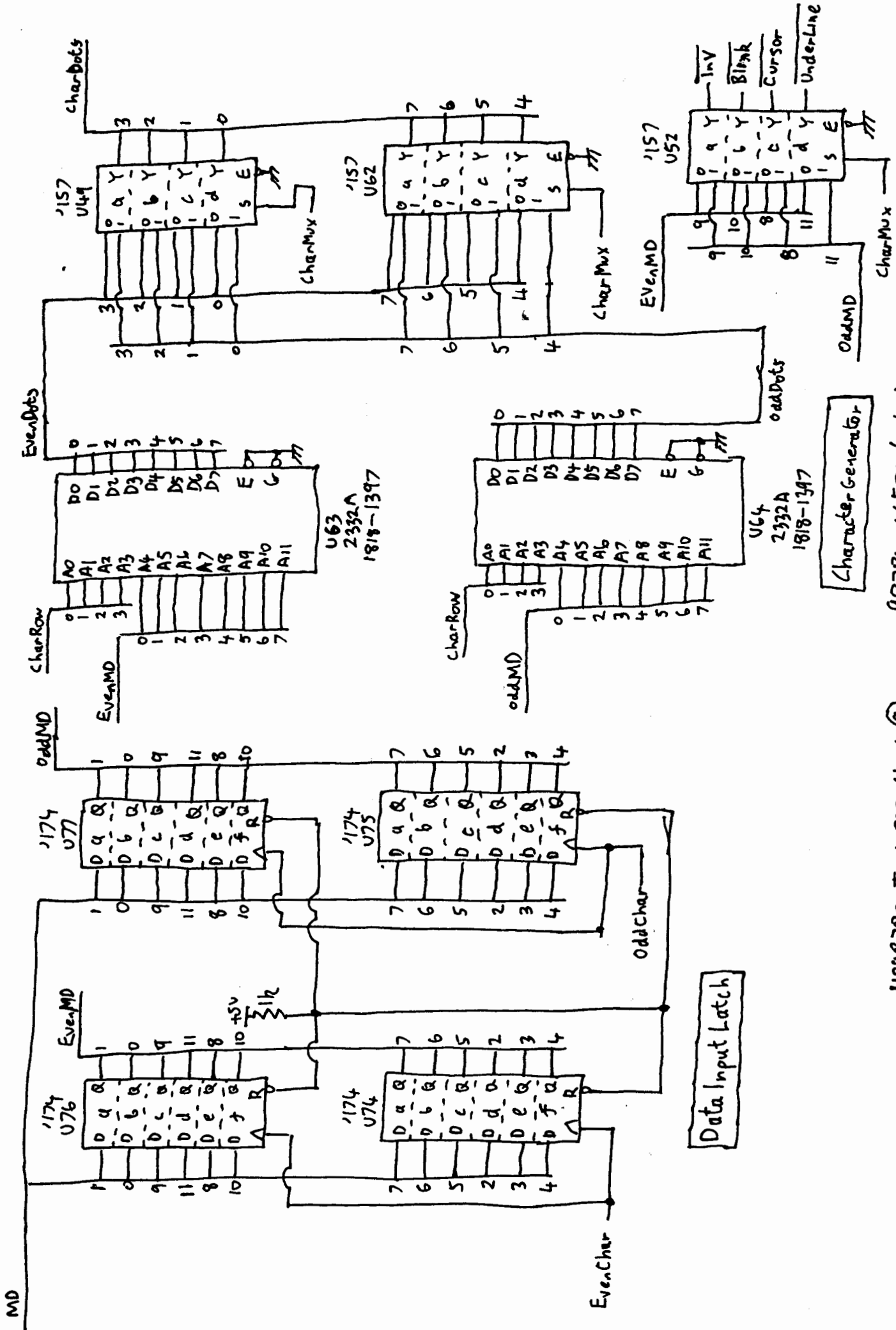


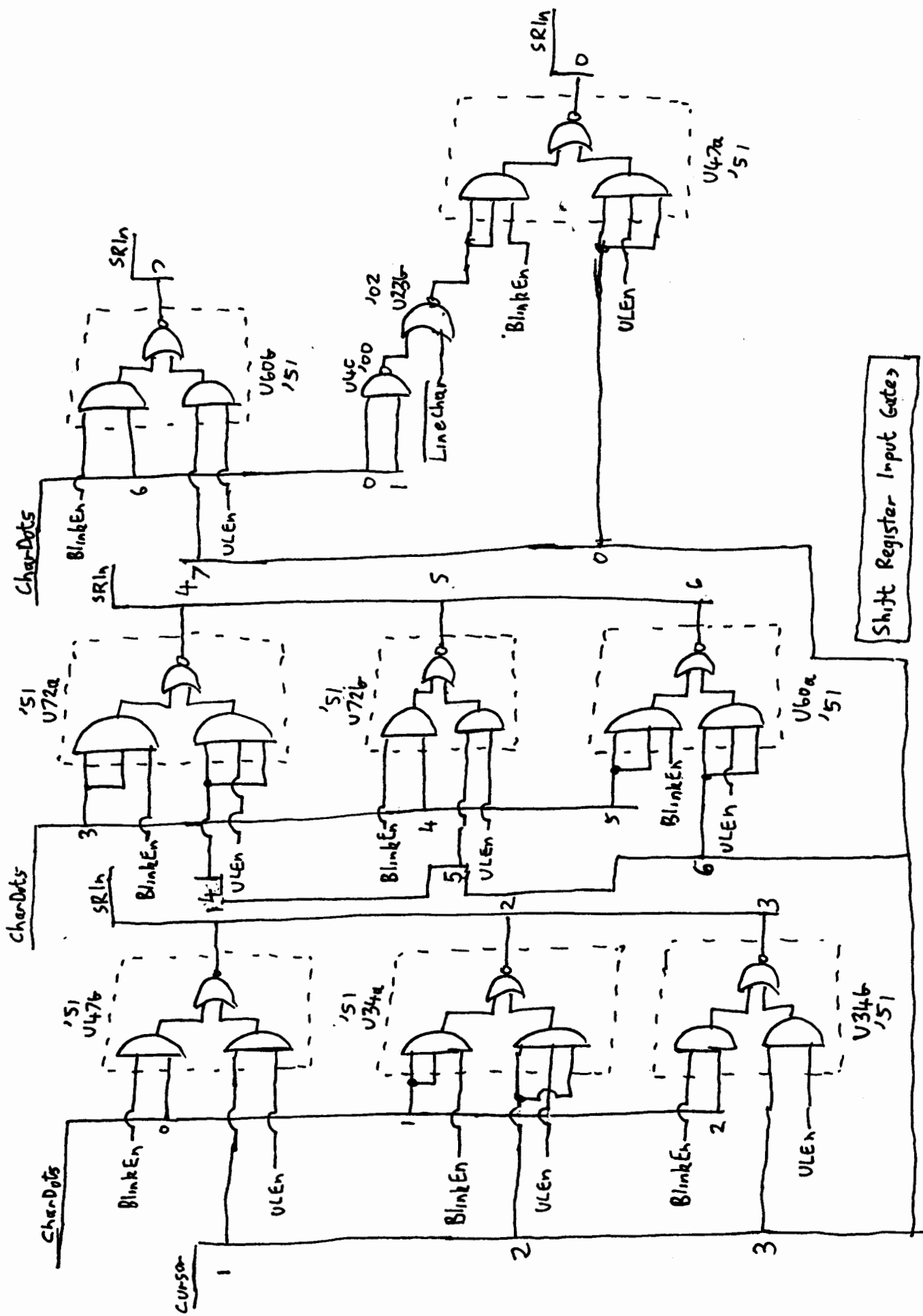
Vertical Counter



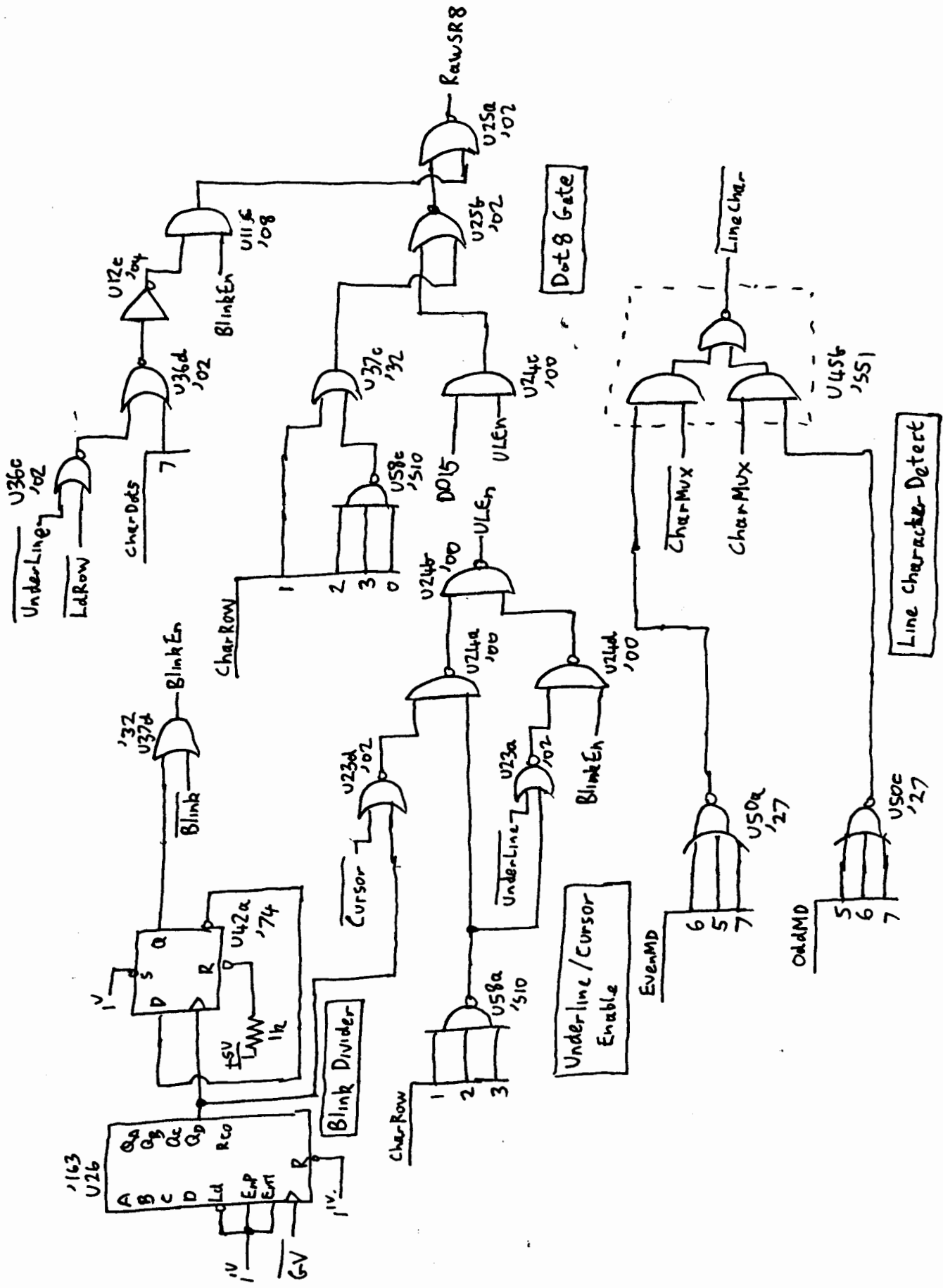
Vertical Timing

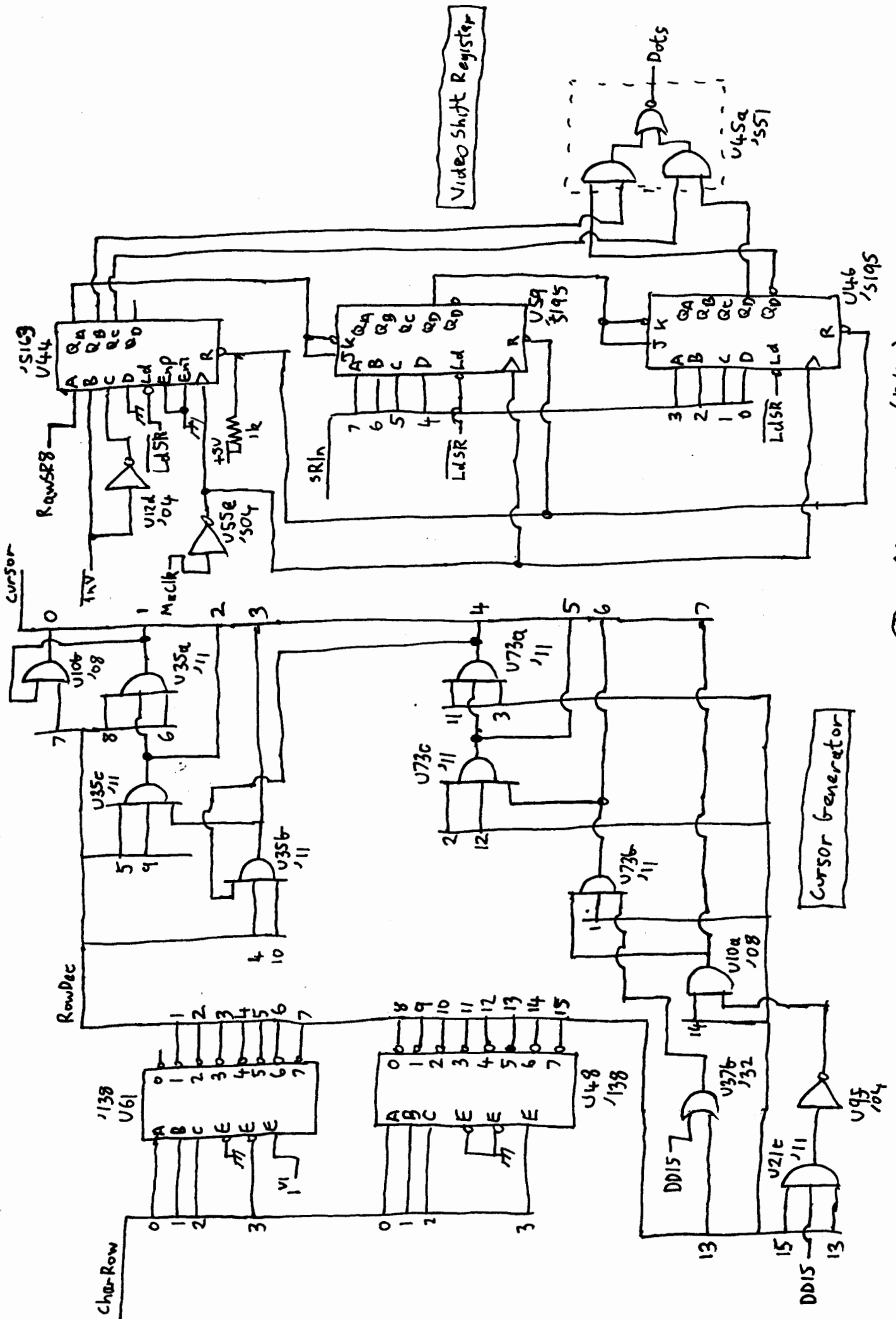
MD



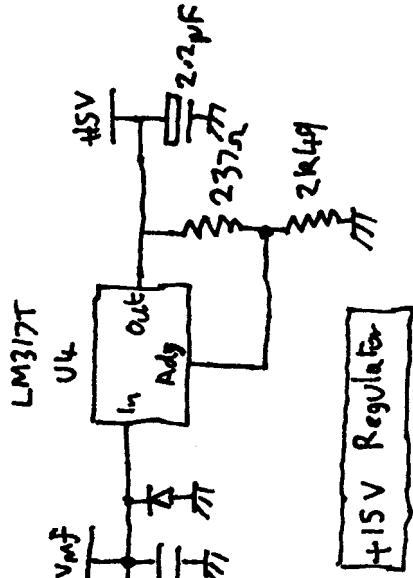
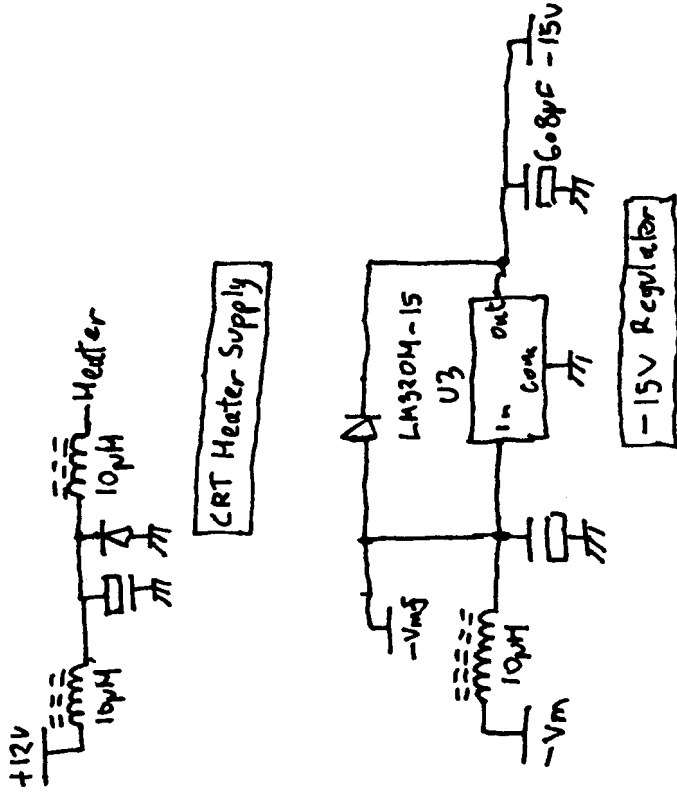
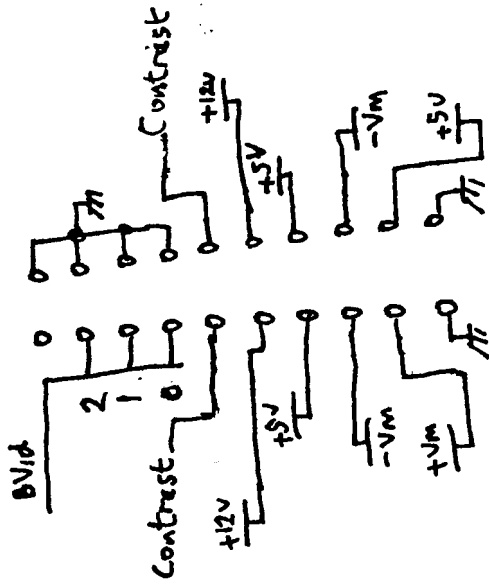


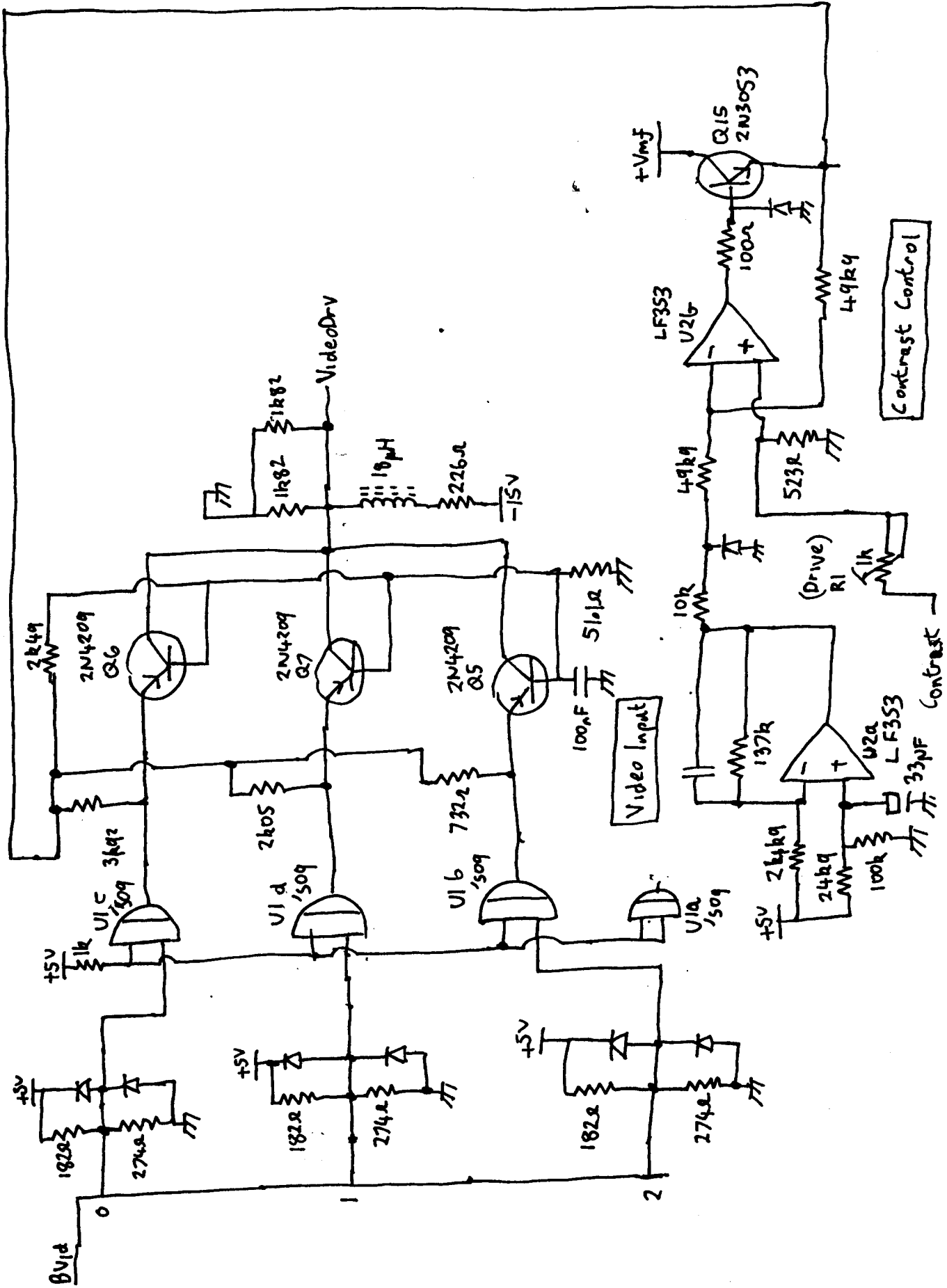
Shift Register Input Gates





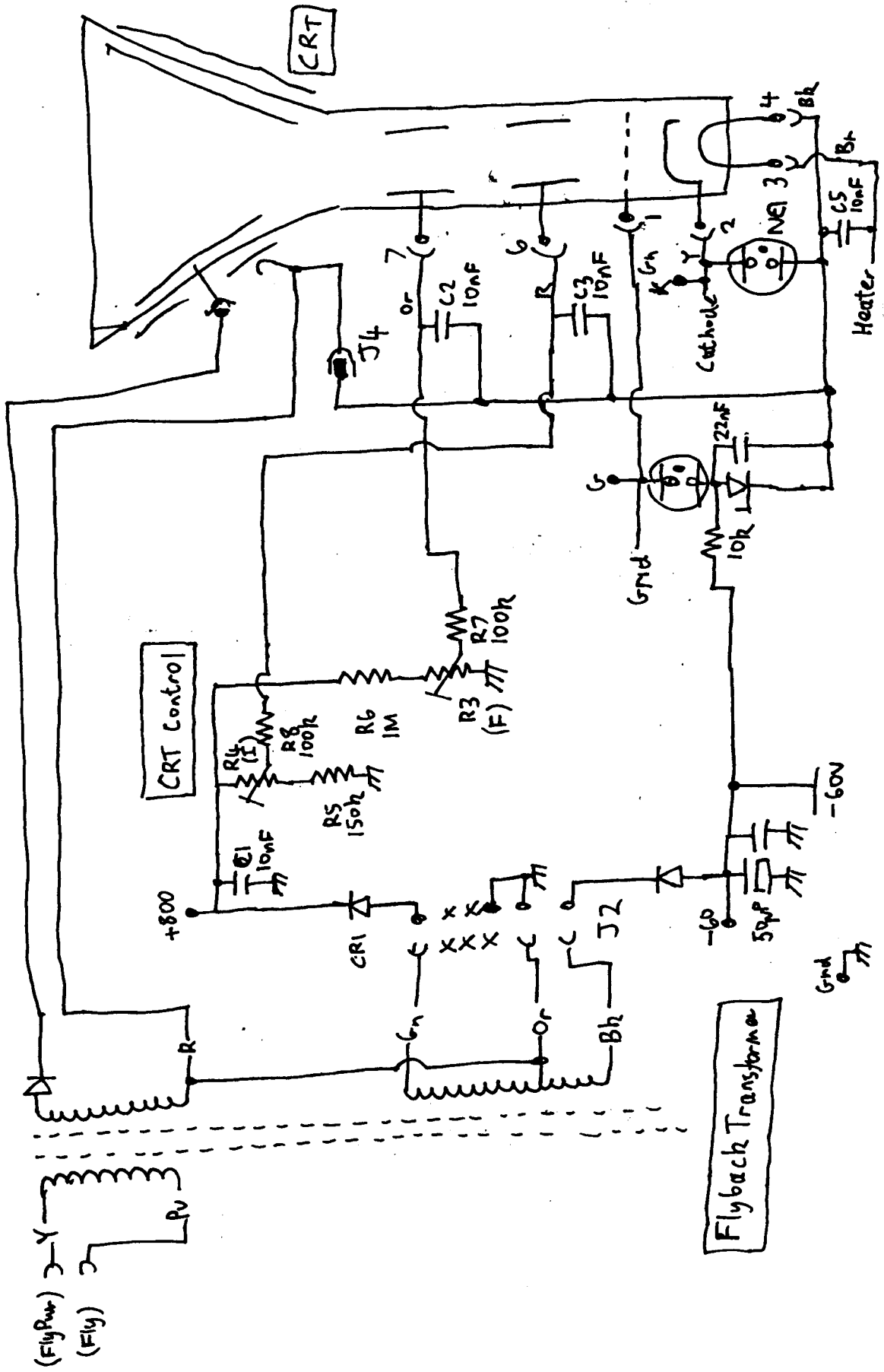
Front
 ↗ LHS






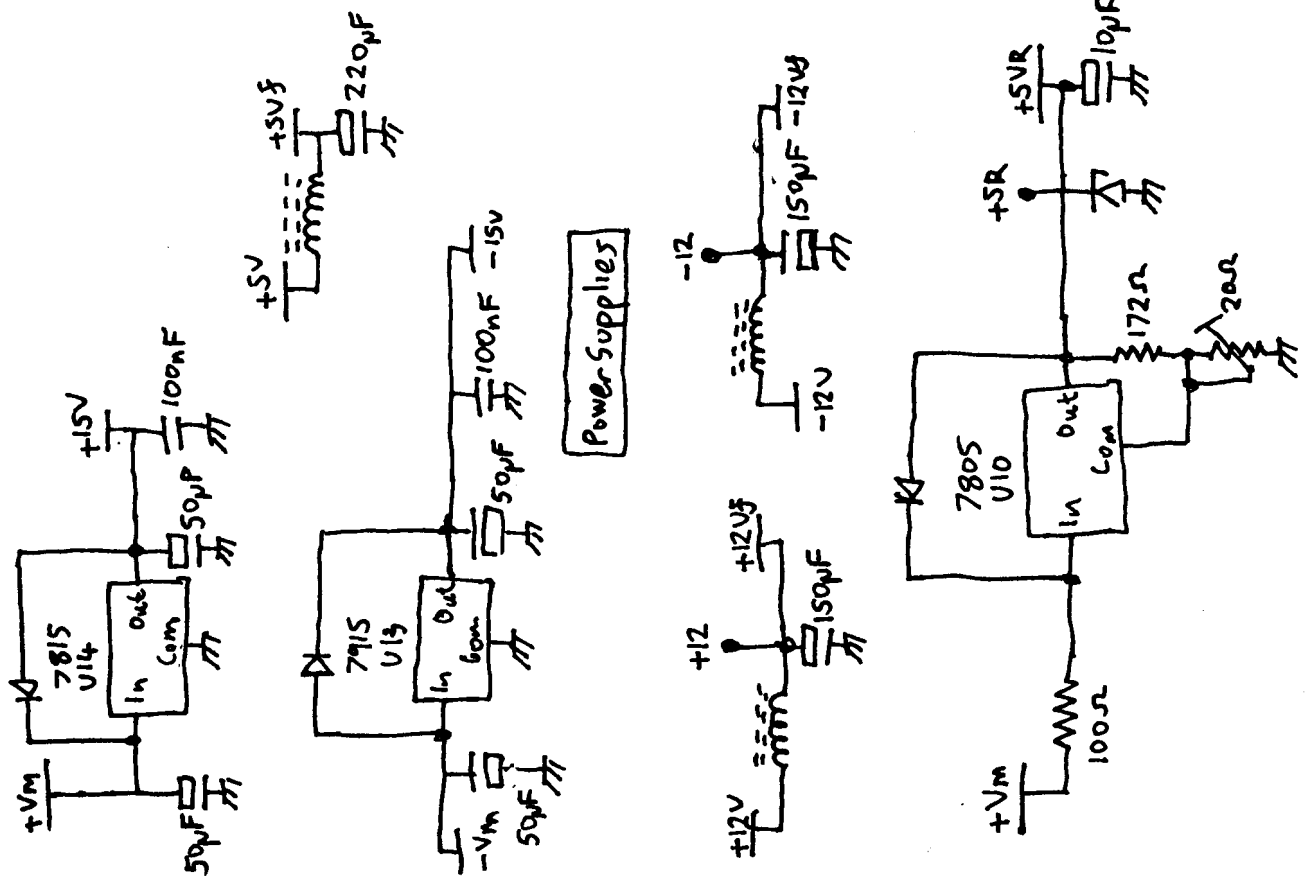
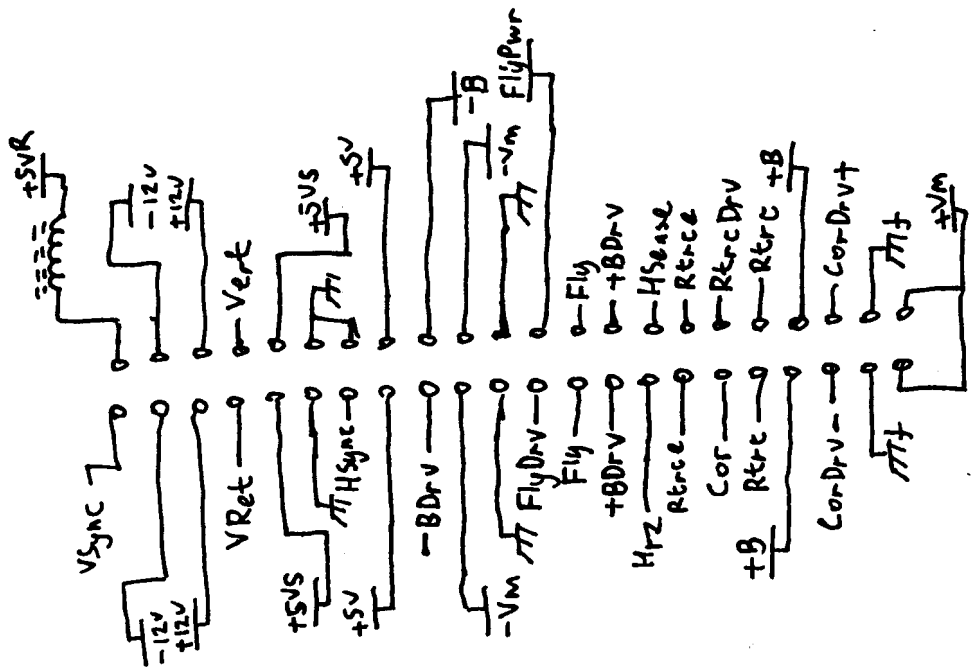
98780-66511

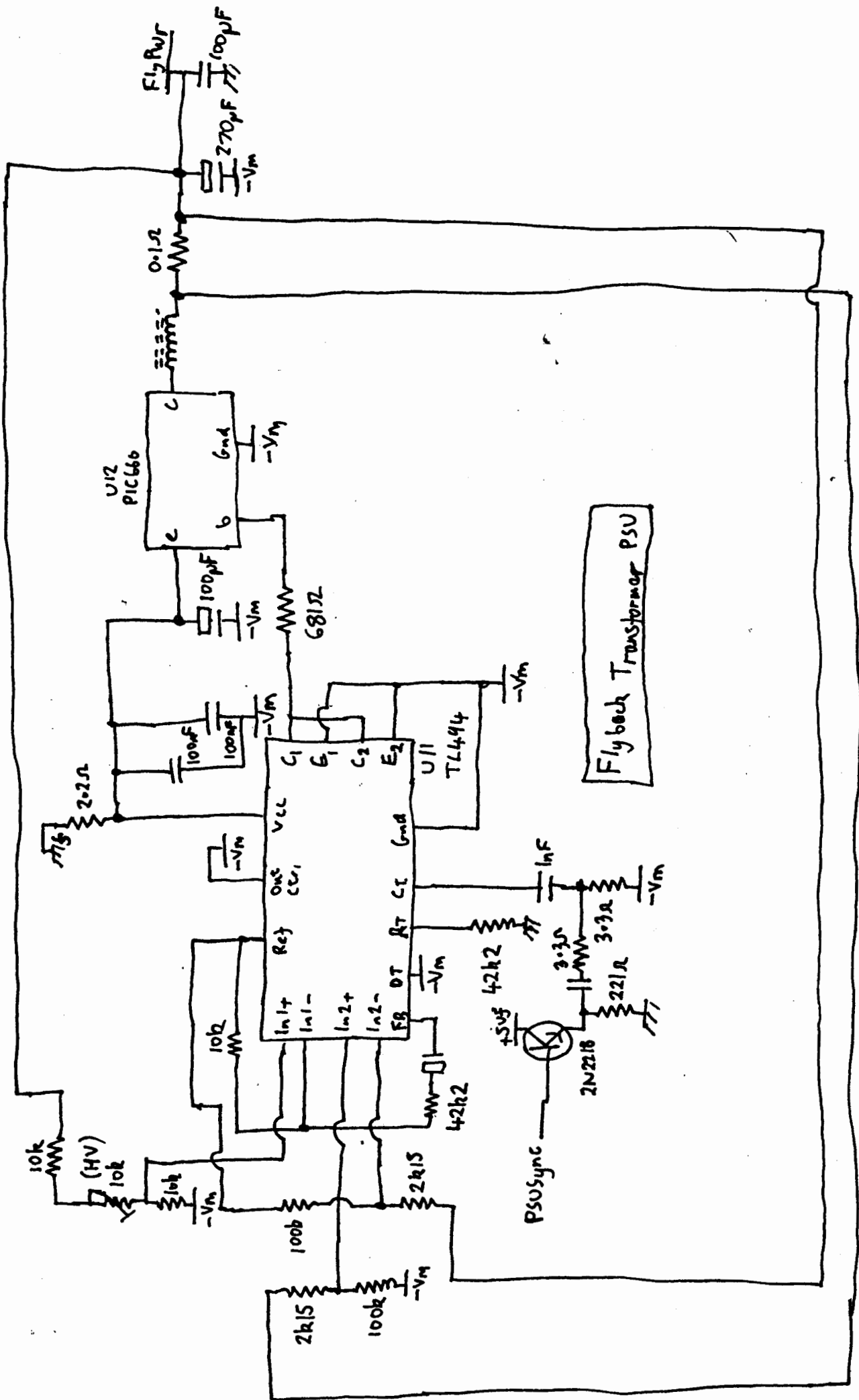
HP98780 Video PCB Sheet ②



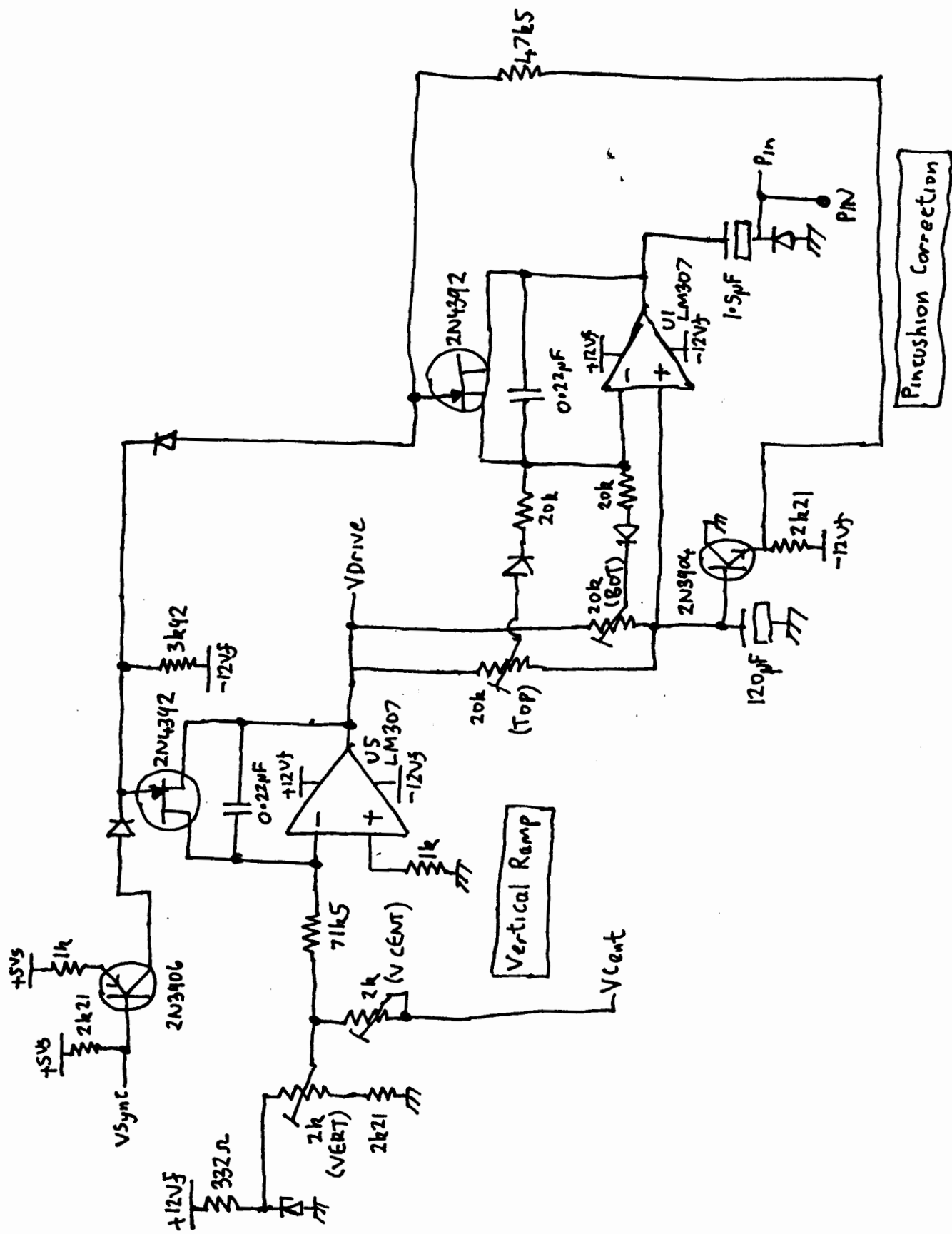
Front
 UMS

-
-
-
-
-
-

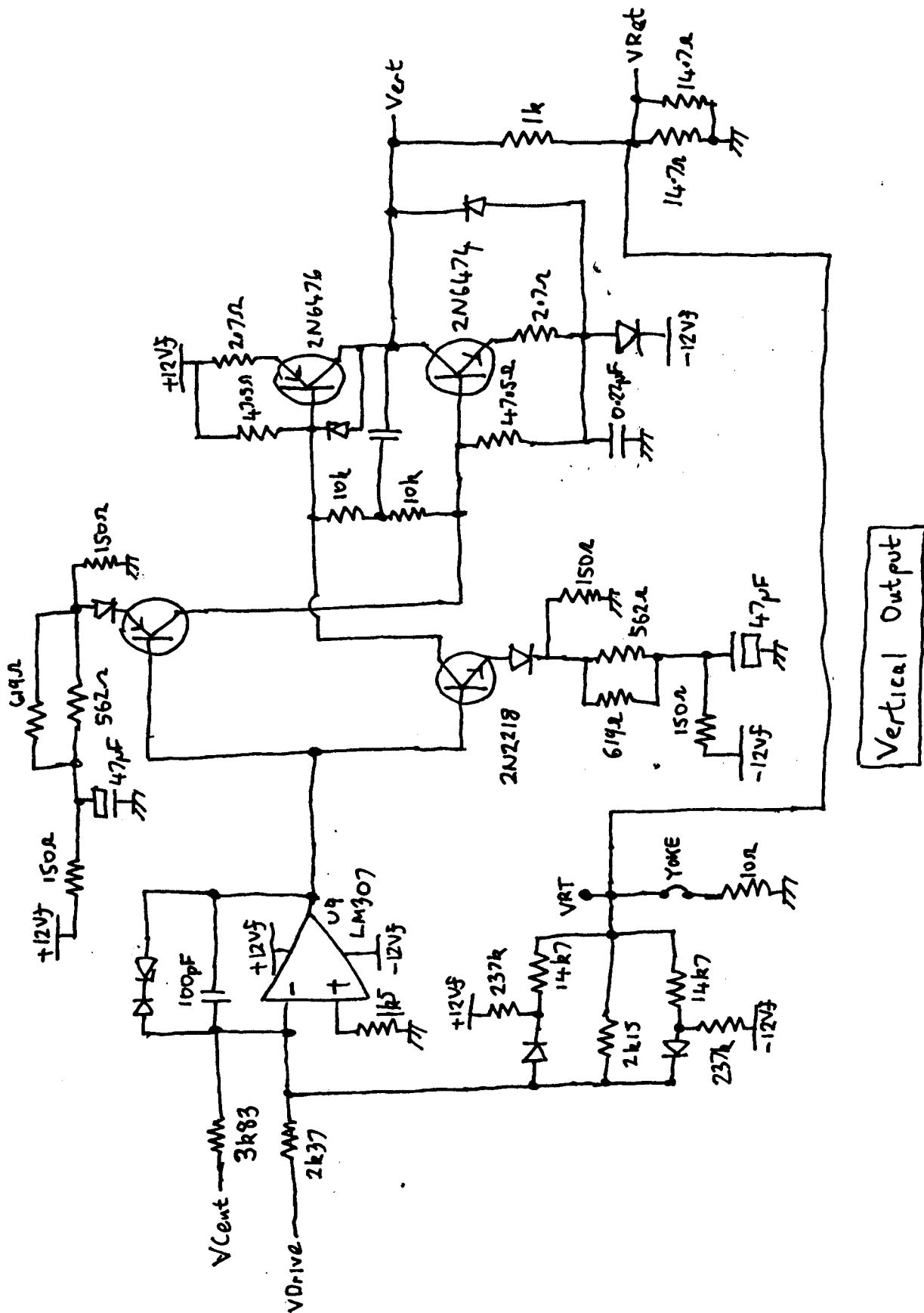


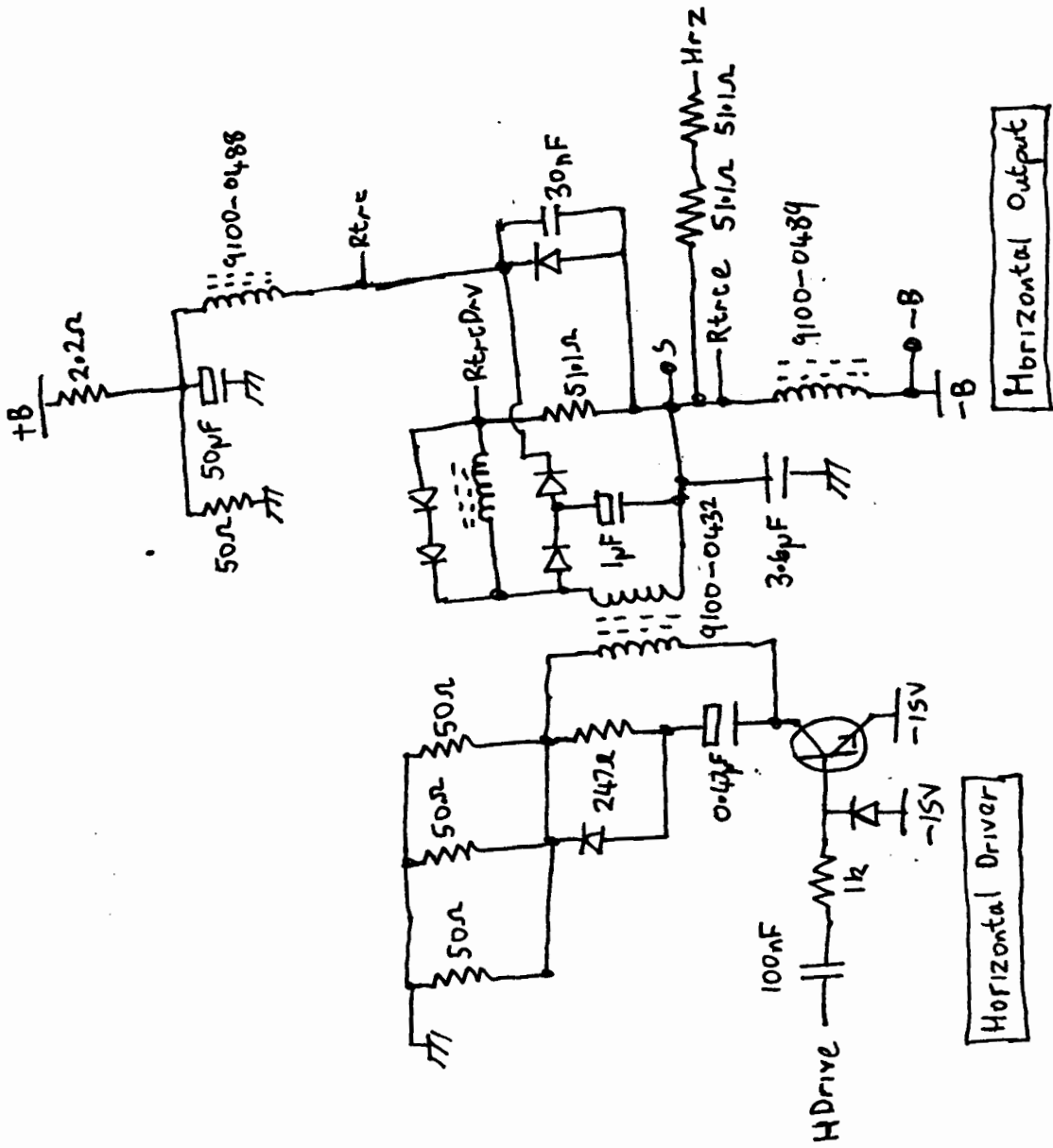


HP98780 Deflection PCB sheet ② 98780-66514 (B-1/Y)



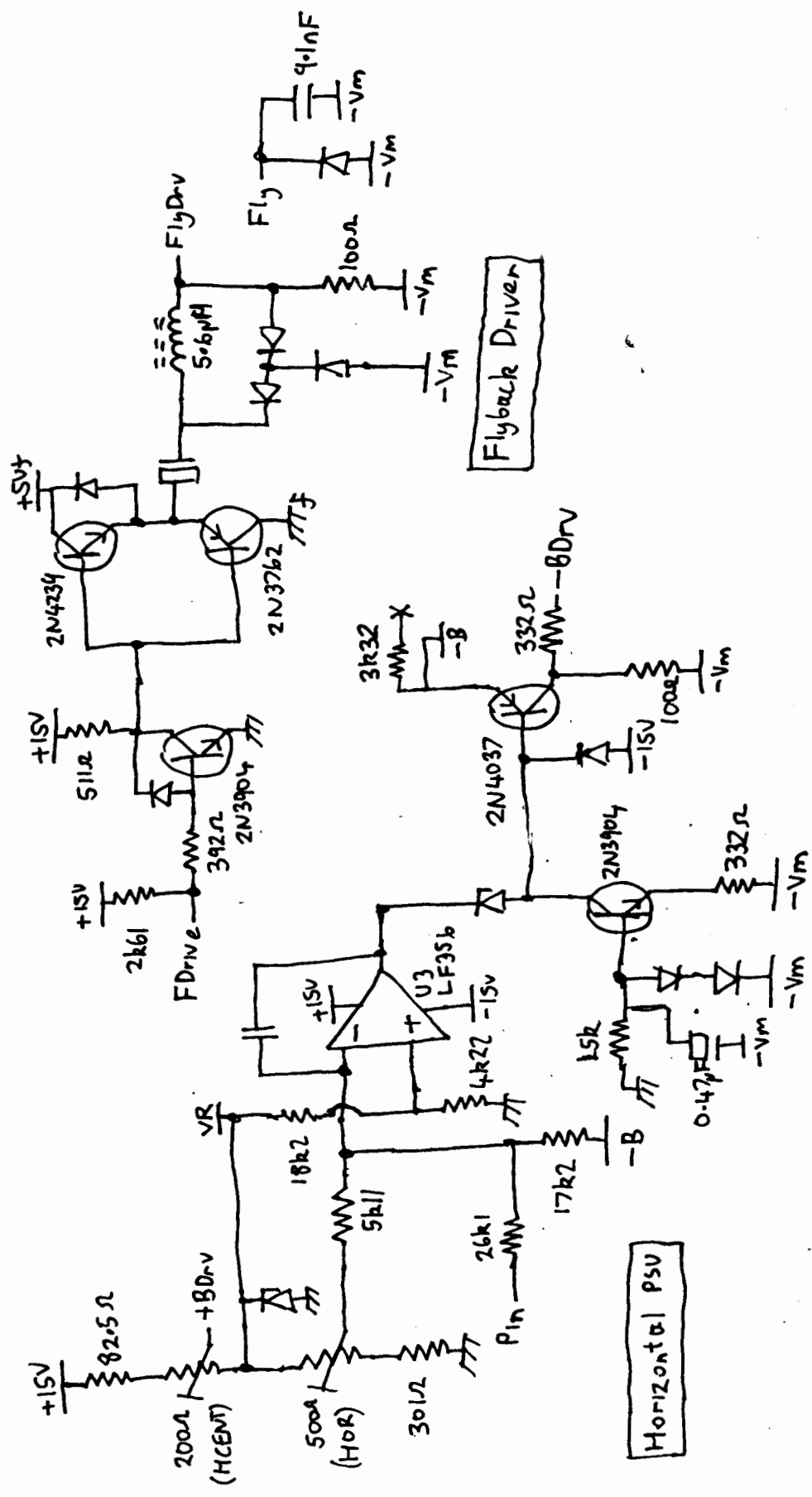
Pincushion Correction

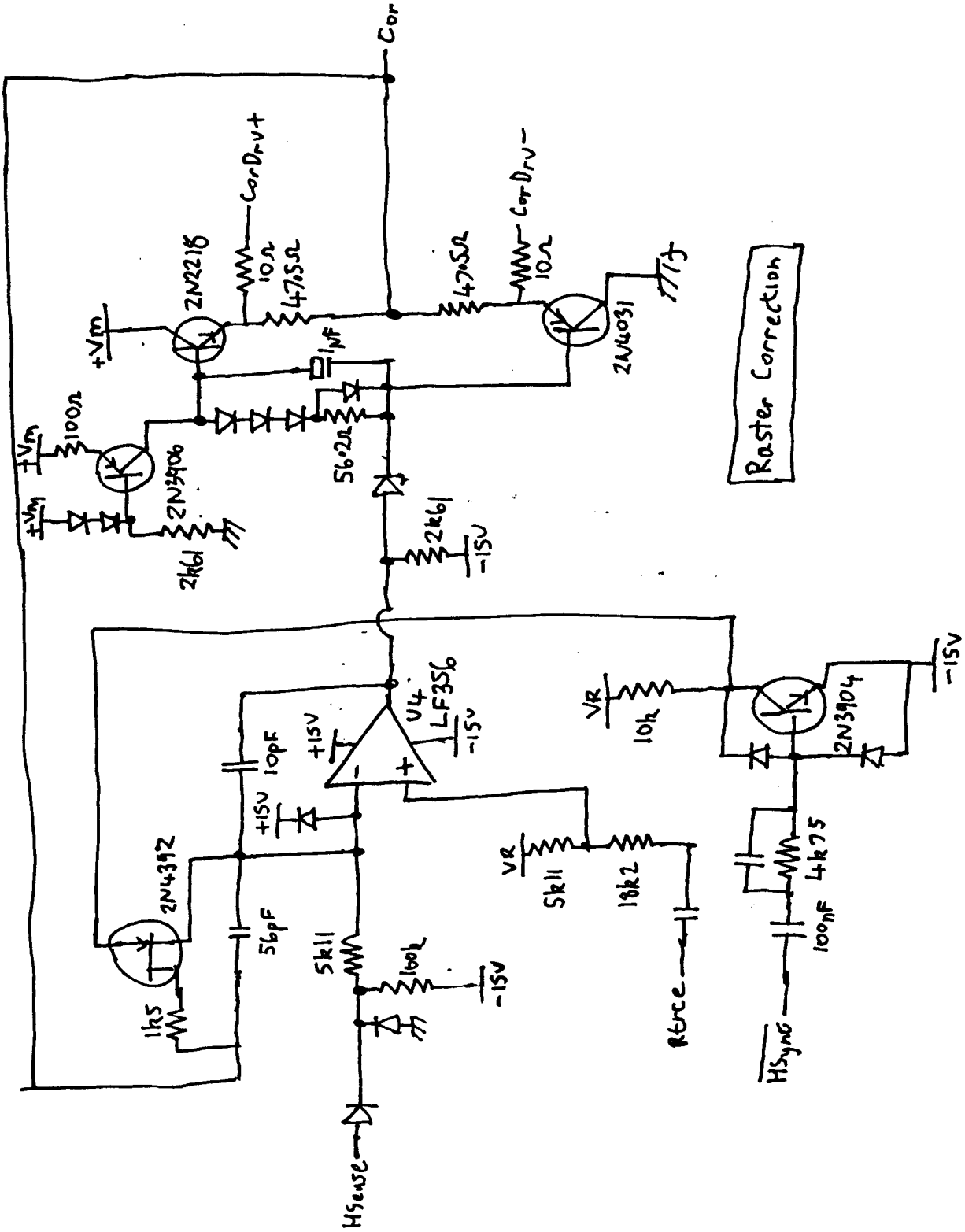




98780-66514 (Br/Y)

HP 98780 Deflection PCB Sheet ⑥





TOP LMS
↑


Q7
1854-0518
2N5877
+B Pass




Q2
2N6584
Flyback.




Q6
1854-0518
2N5877
-B Pass



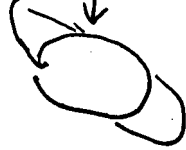
Q3
1854-0818
Retrace



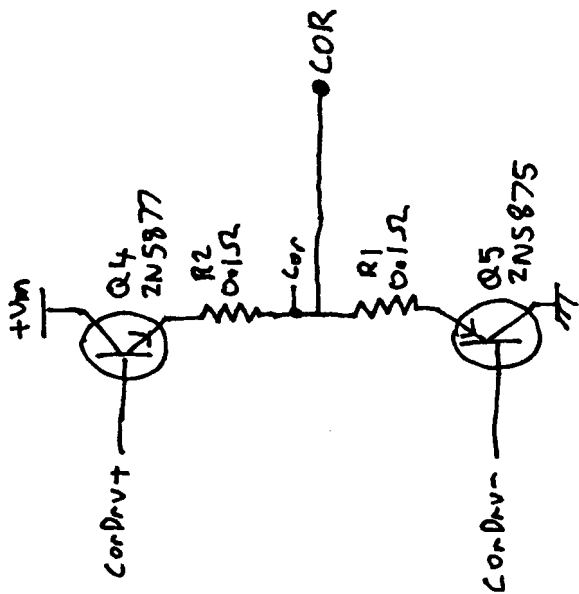
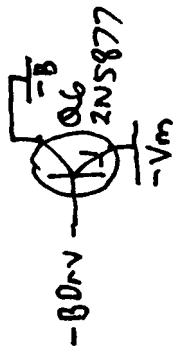
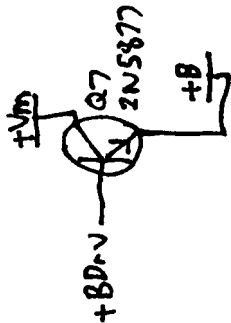
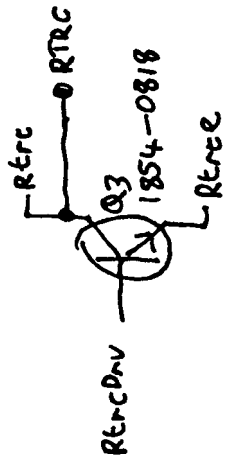
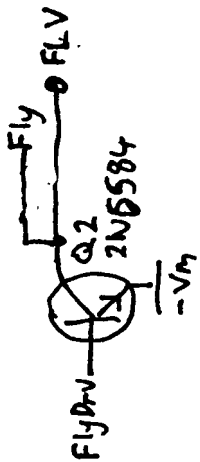
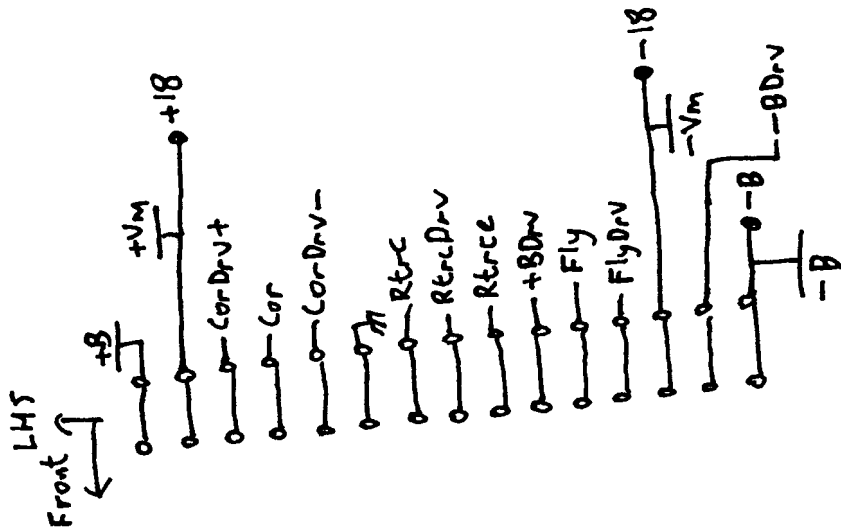
Q5
1854-0305
2N5875
Corr -ve

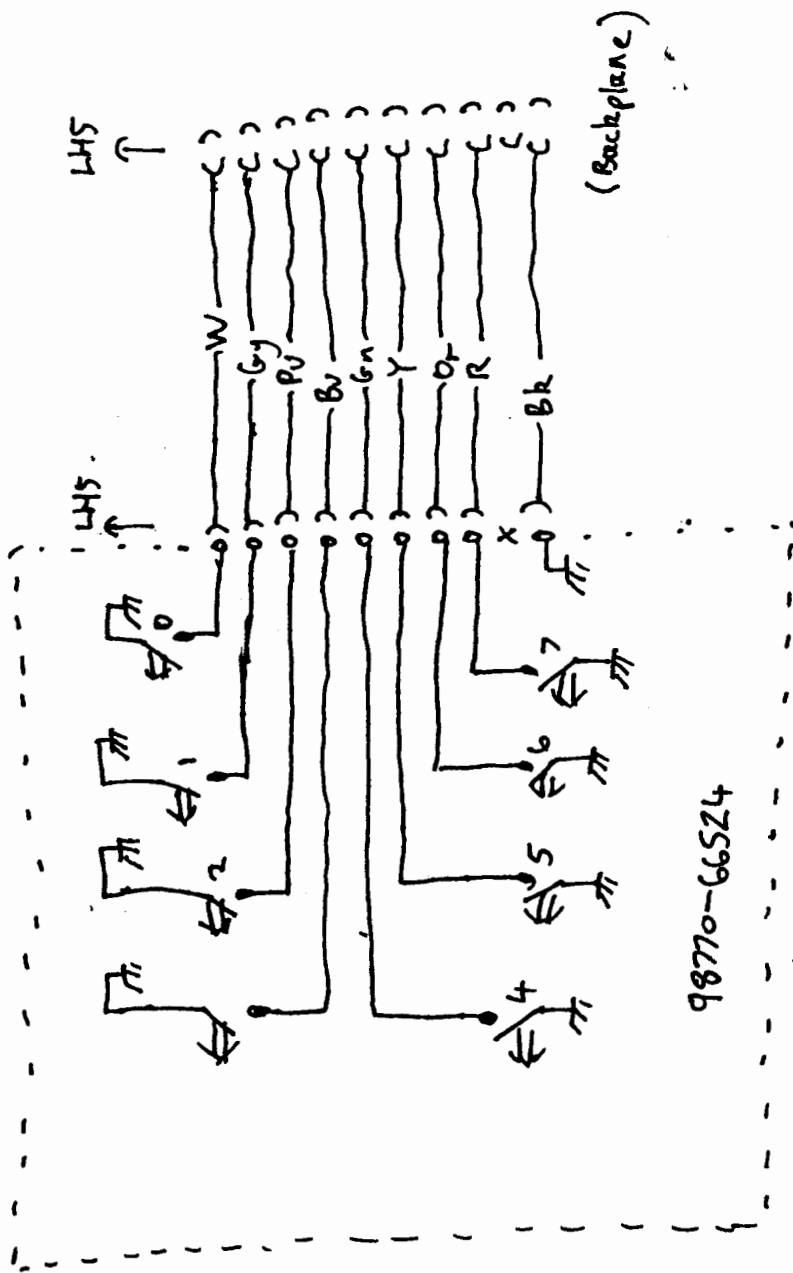


Q4
1854-0518
2N5877
Corr +ve



HP98780 Heatsink Layout





HP98780 Keyboard PCB

Peter Cuthbert letter.
Dalelike memo.
Deputy Chairman report.
Announcements.

Re letter.
Point of interest no reverse that we stop
pressing for articles. Balance Chairman against
statement naming of date. Of the names.

Proposed that editor news agreement.
A motion changes. Carried. 3 objections.

Editor asked to state that number arrangements
available to other editors.

[Valentin is a member] [this week]

When a programmatic move made to continue
over it it might be in

Dalelike memo 6/54. Probably have

members. More thinking than only contact is
available. But need it.

Parton
HRC
MP12 of Parliament
Black Scholes
Can August 17. 18.