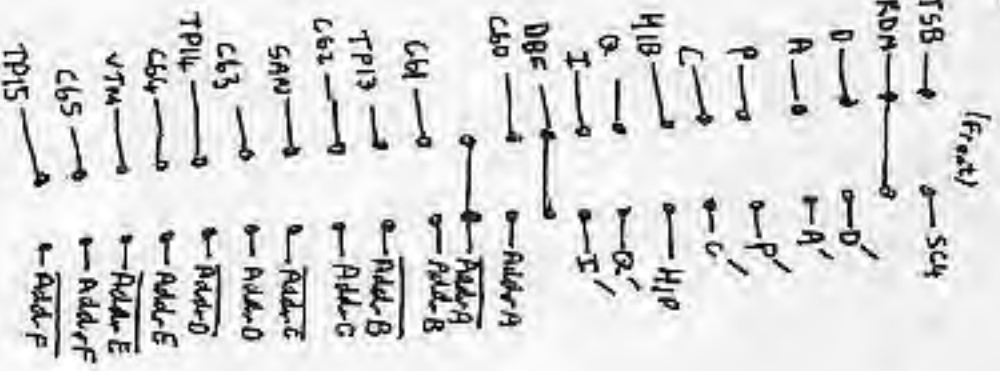
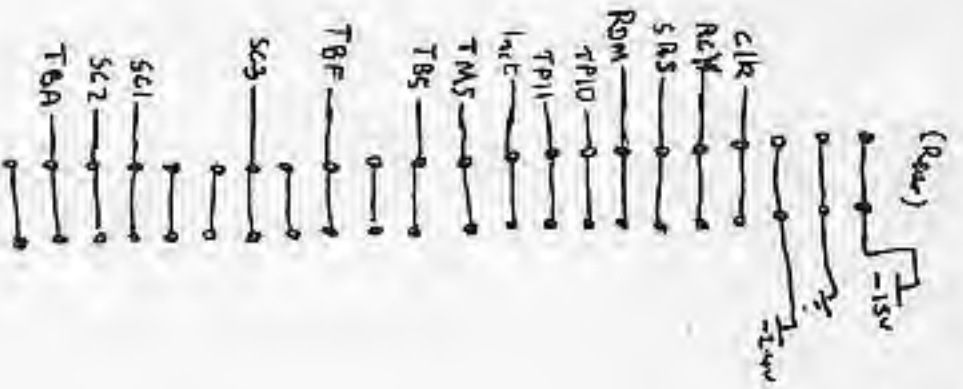
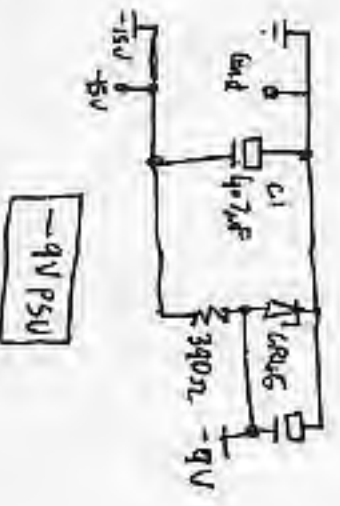
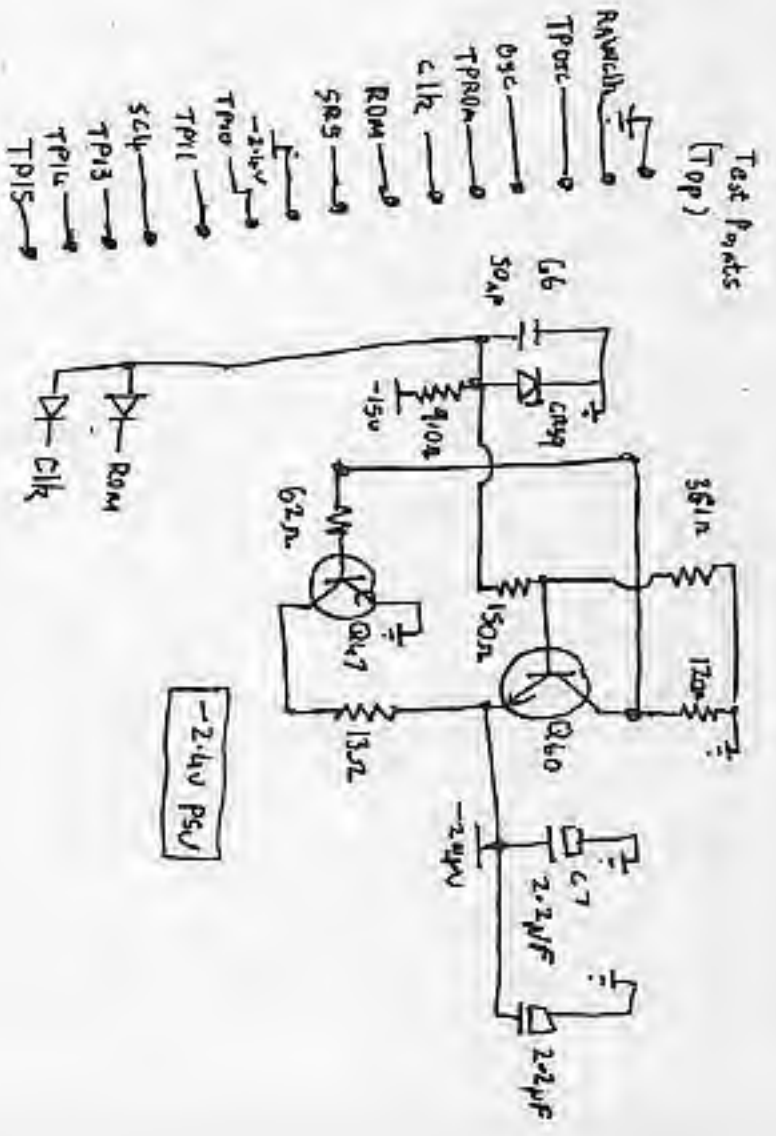


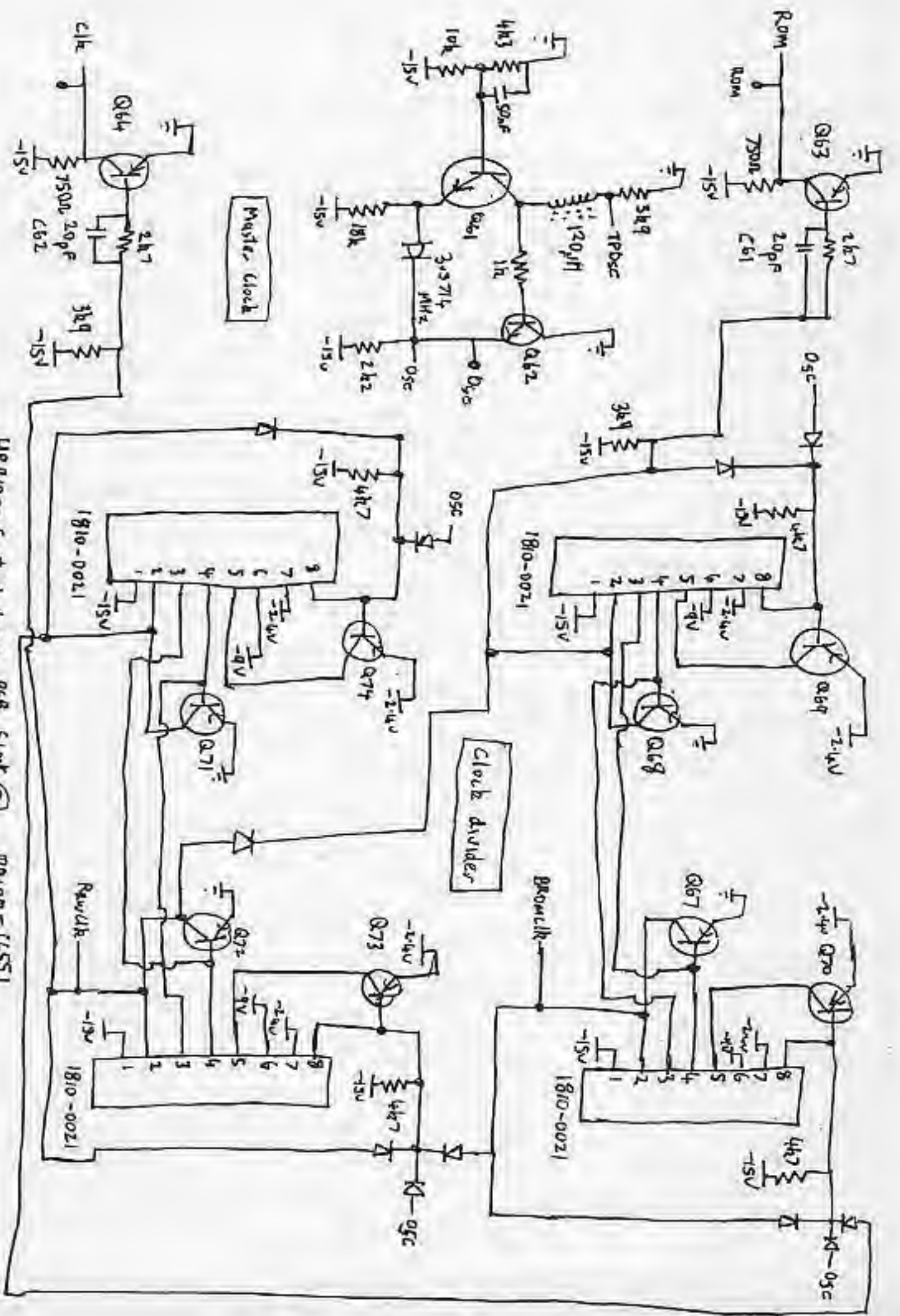
Power of Machine
← Comp Site



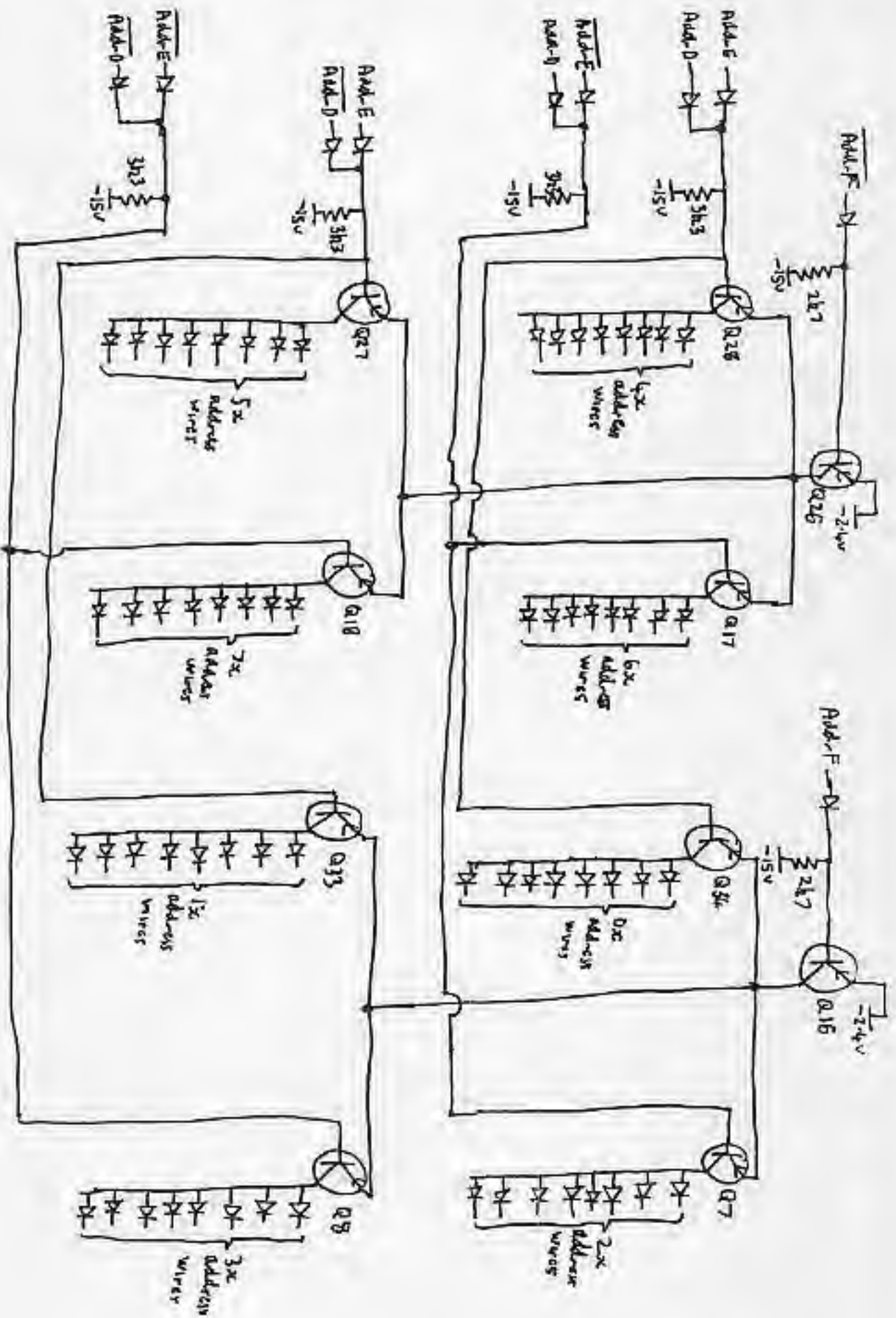
Test Points
(Top)



HP9100B Control Logic PCB
Sheet 1
09100-66551



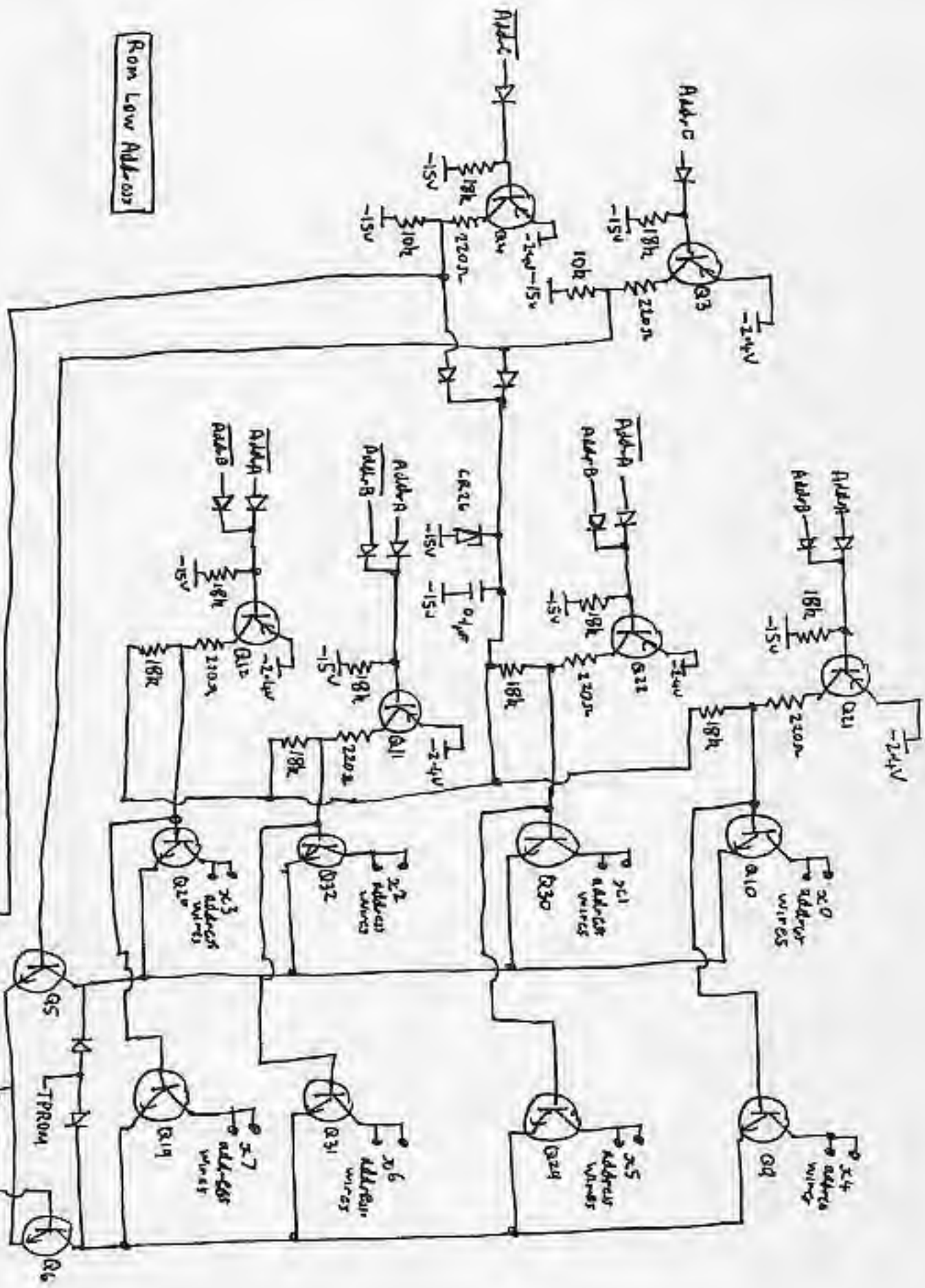
HP 91008 Control Logic PCB Schem (2) 09100-66551



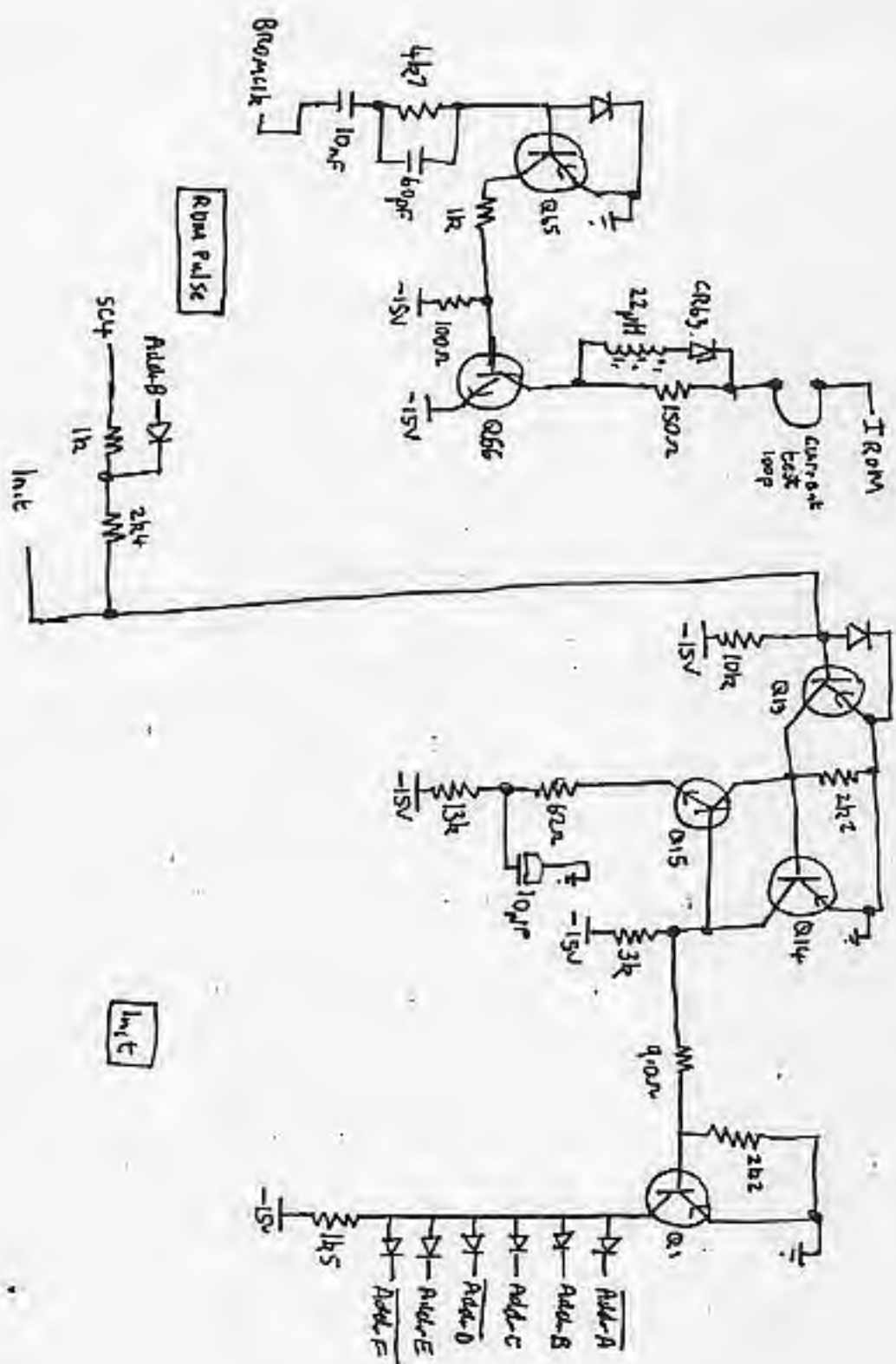
ROM High Address

MP41000 Control Logic PCB Slot ③ 09100-66551

Rom Low Address



HP4100B Control Logic Pub Sheet 6 Q4100-66551



HP 9100B Control Logic PCB Schematic ⑤ 09100-66551



Row Address Strobe

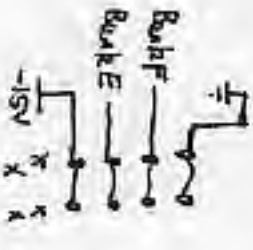


(Front)

Connectors

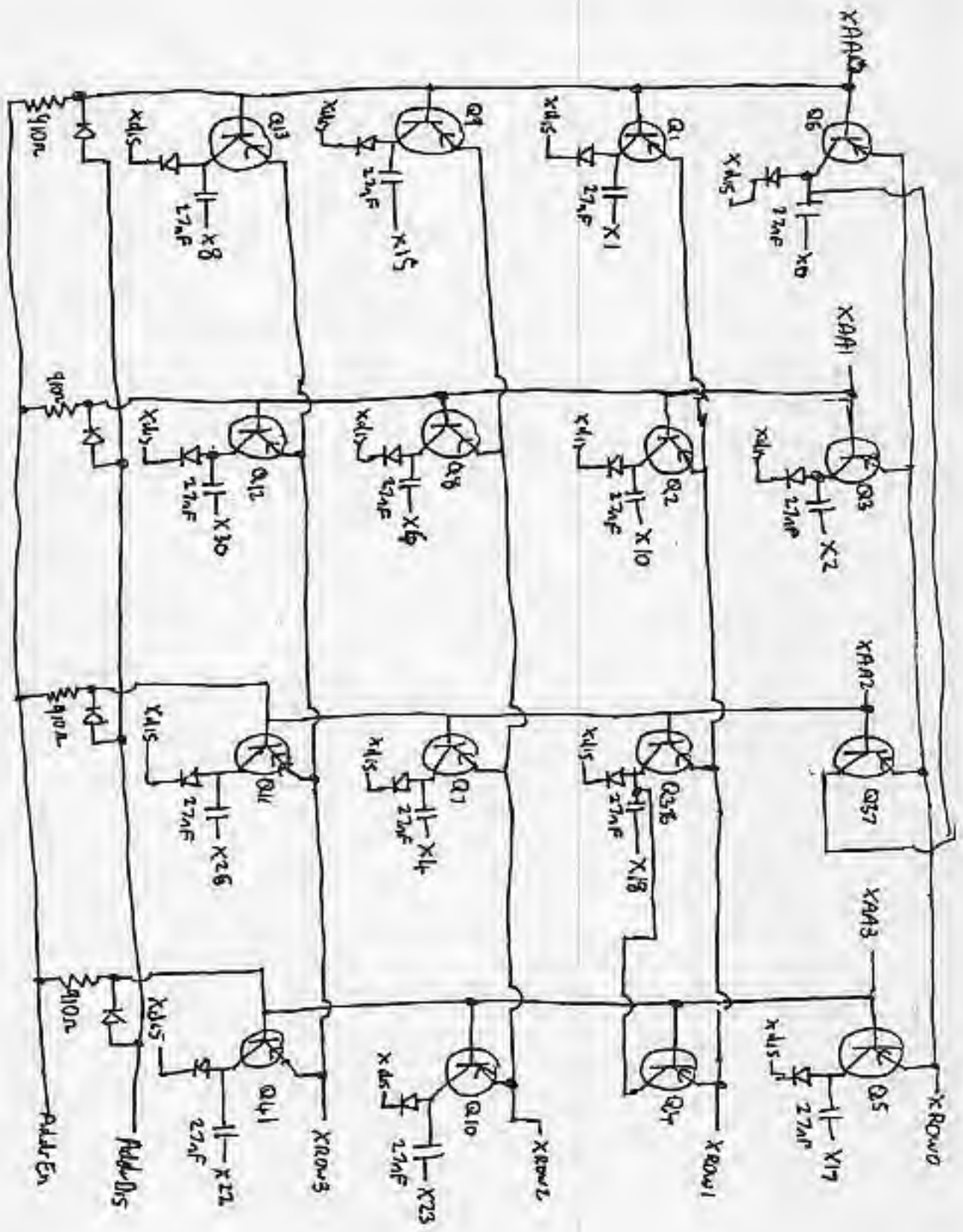


(Top)



(Test)

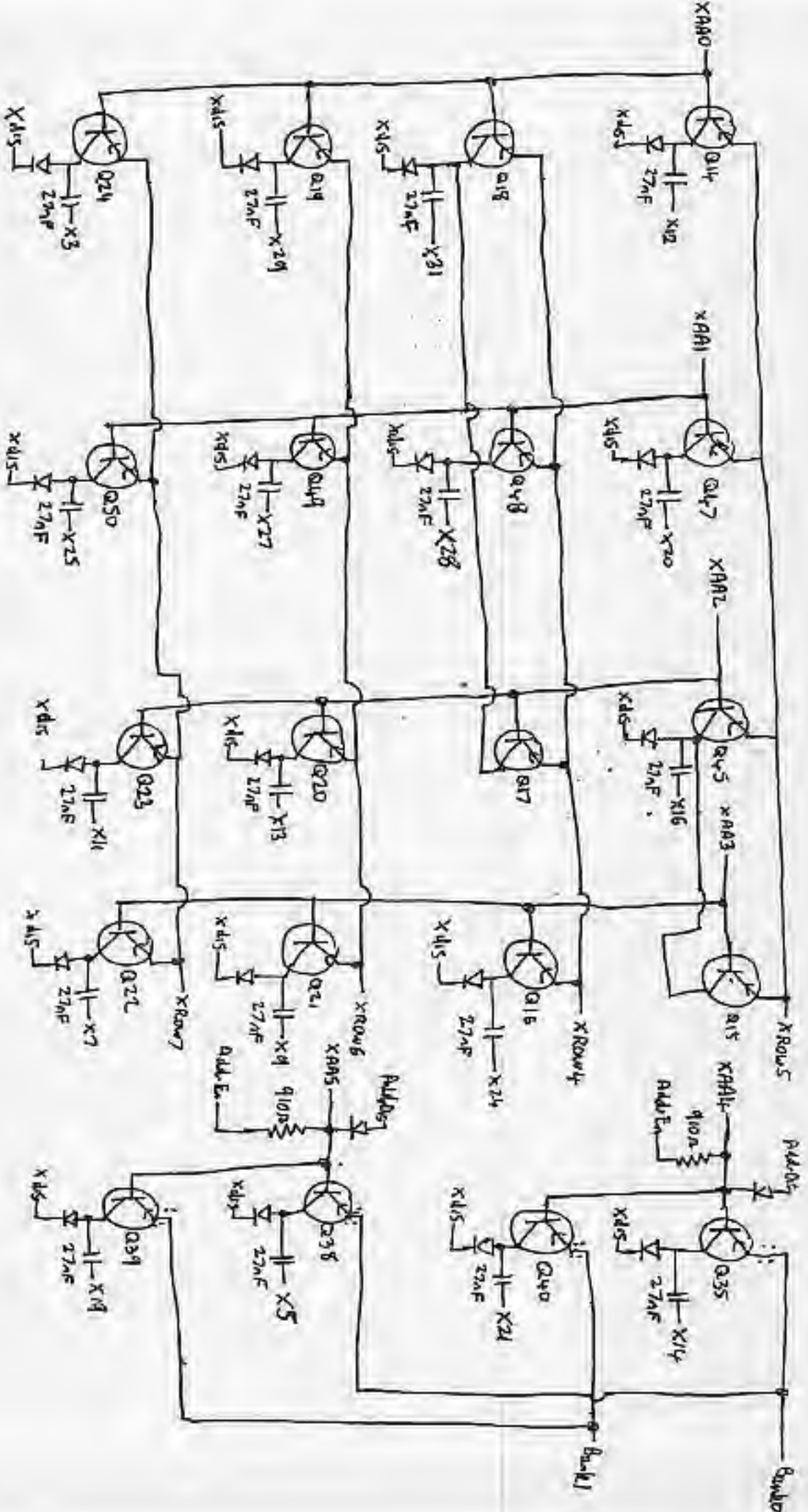
HP9100B Core address PCB Sheet ① 09100-6553



X Drivers 1

HP9100G core address PCB Sheet 2

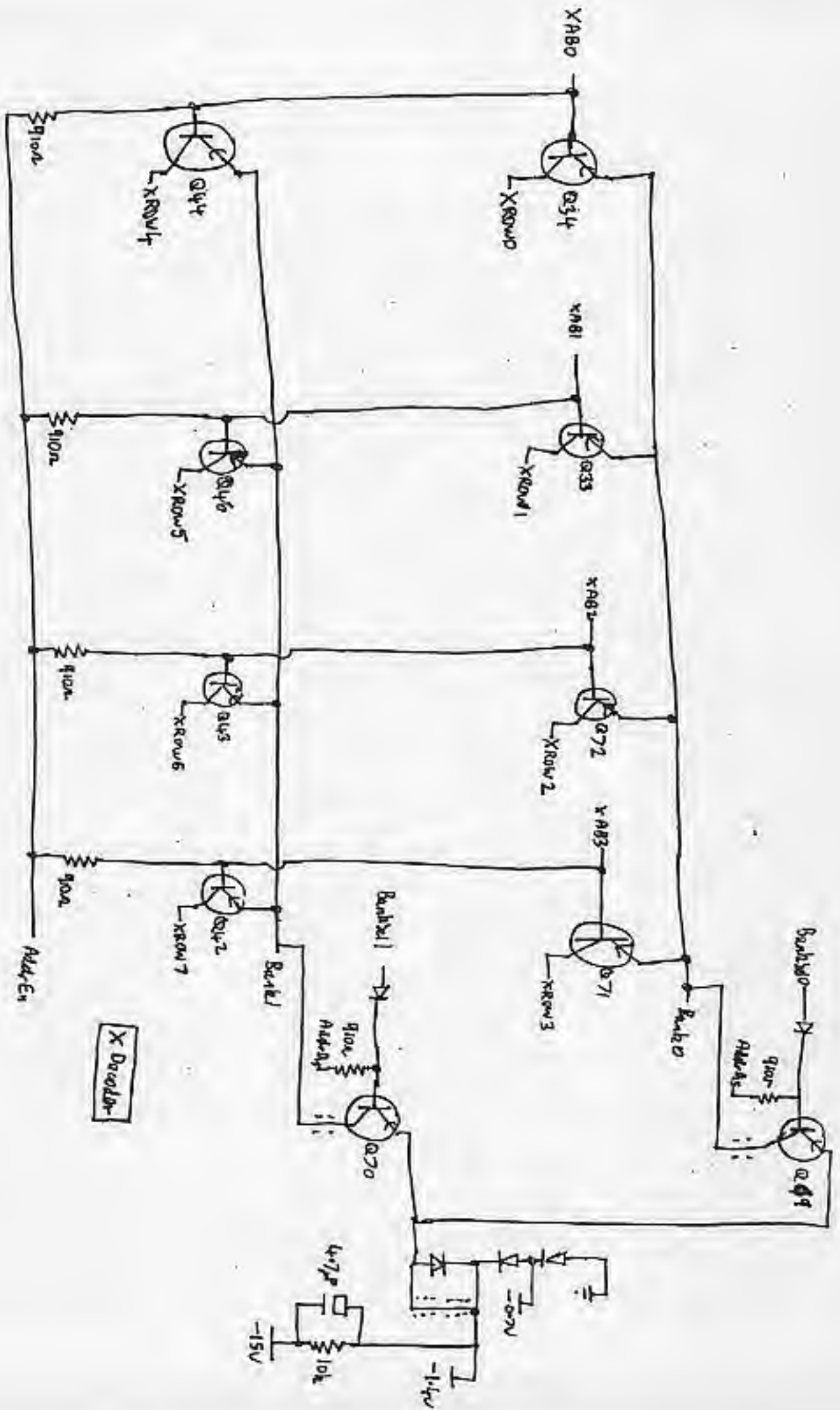
09100-6653



X Drivers 2

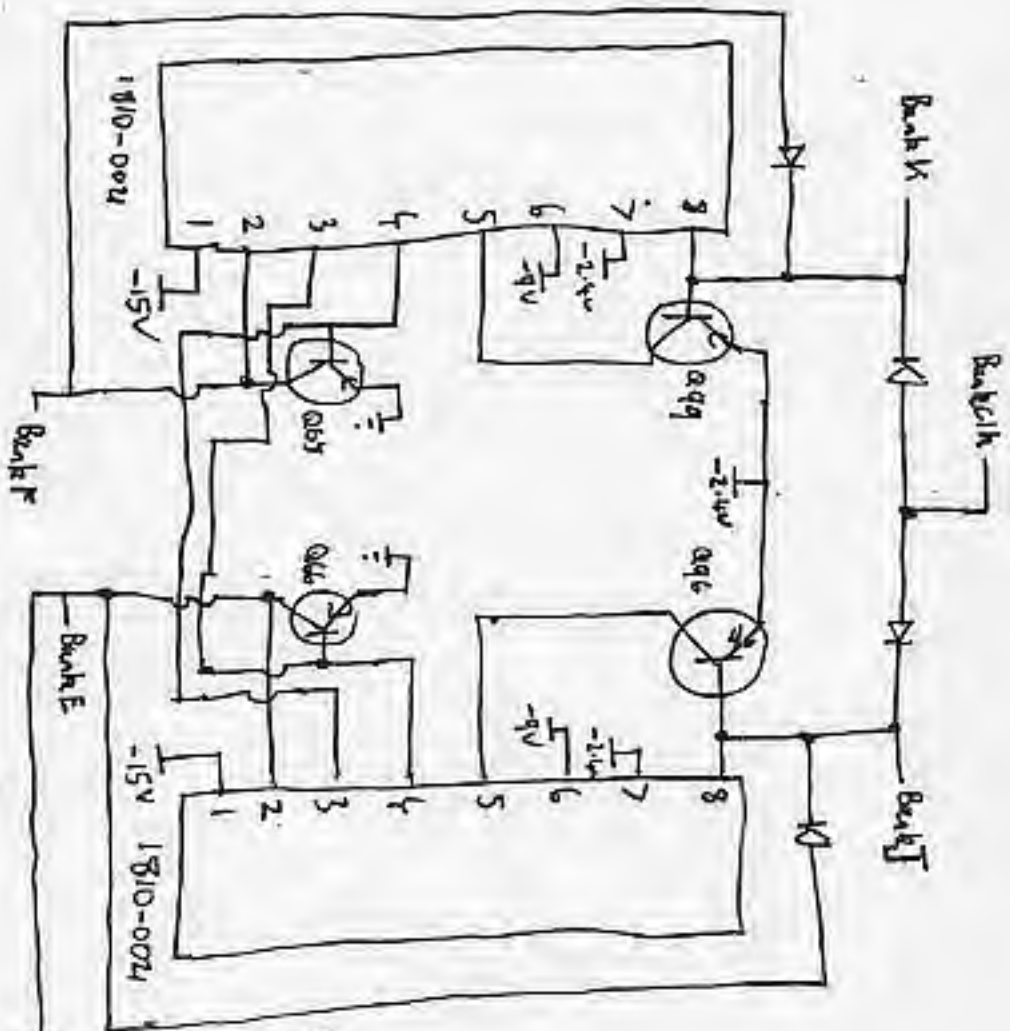
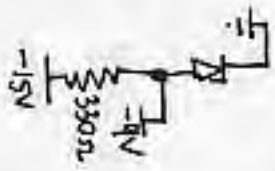
NP4100B Core Address PCB Sheet 3

09100-66553



HP9100B Core Address PCB sheet (4)

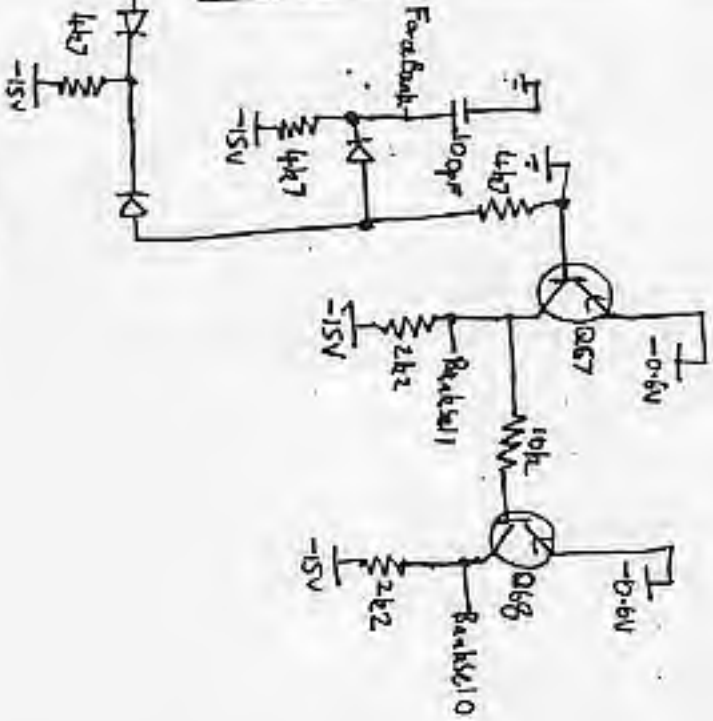
09100-66553

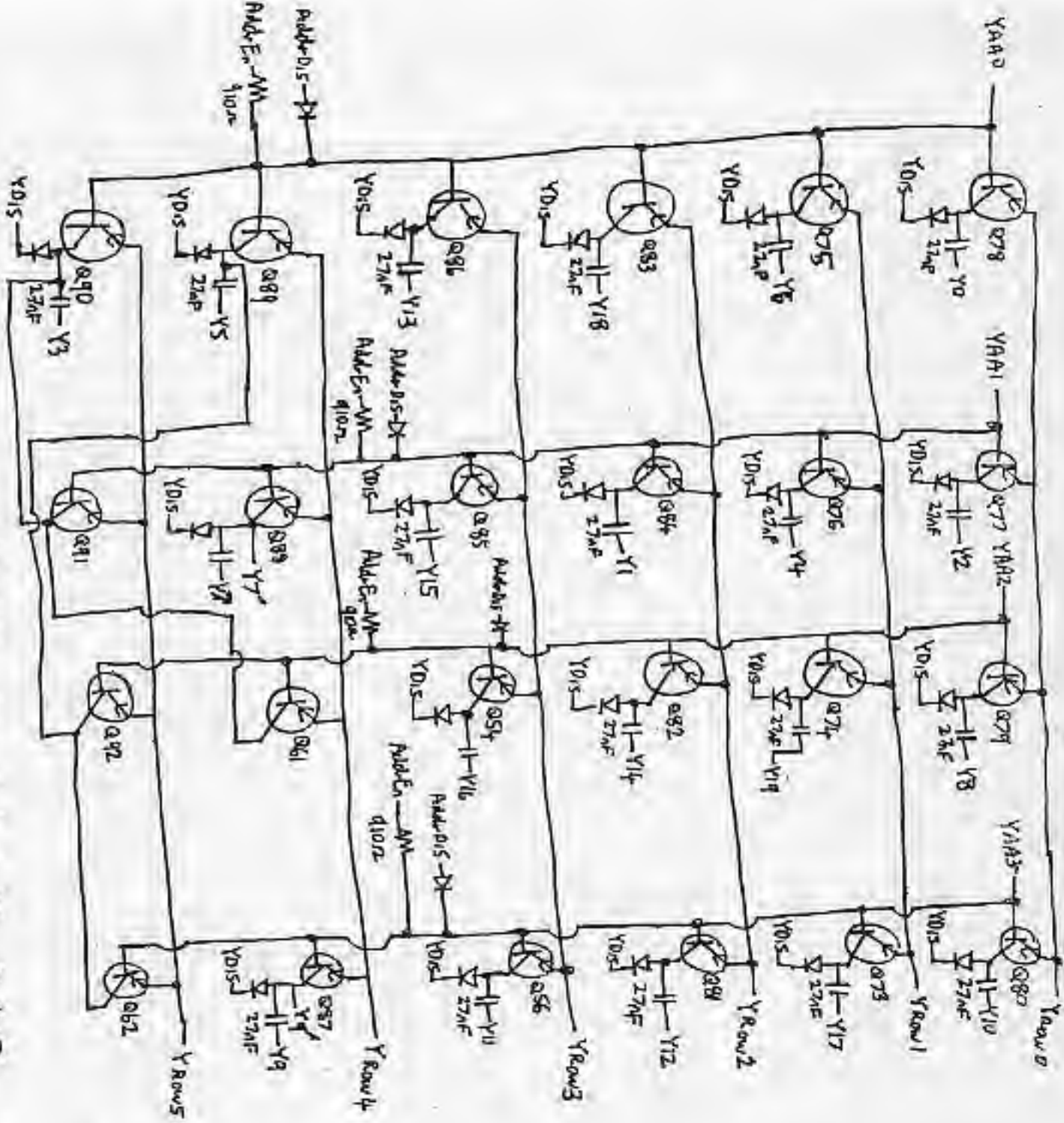


HP9100B Core Address PCB sheet ⑤

Bank Select F/I

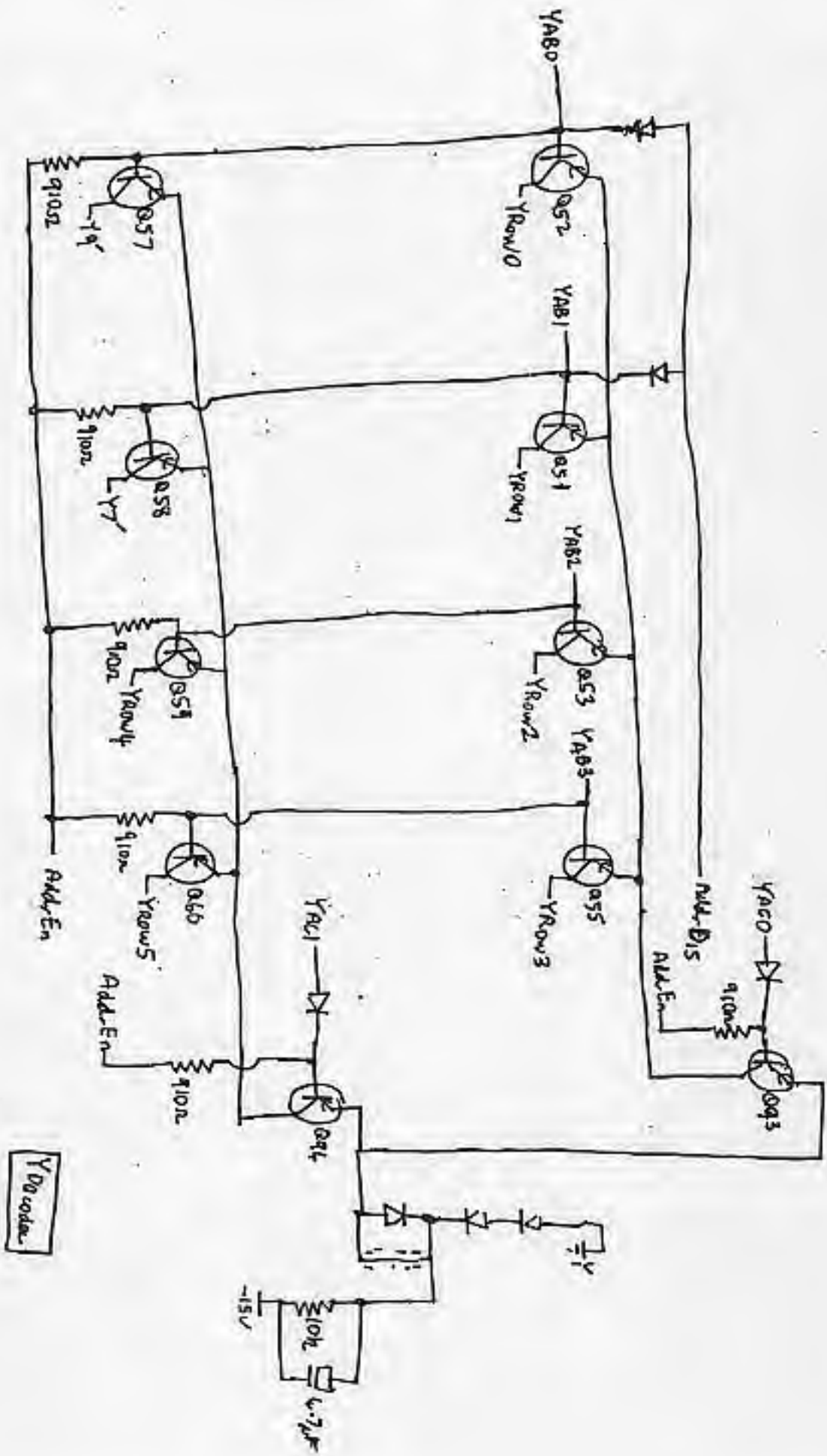
09100-66553





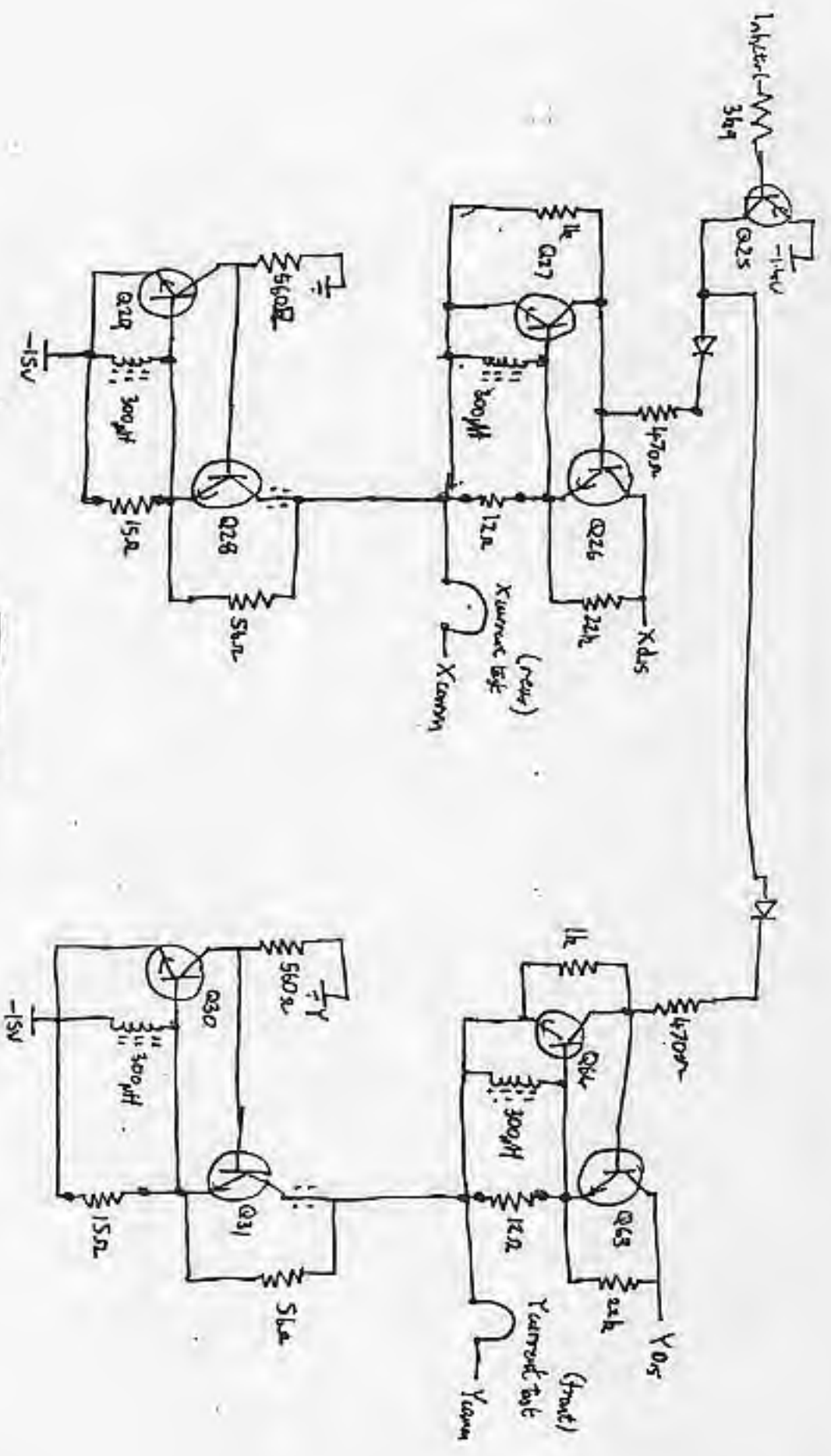
HP9100g Core Address PCB Skat ⑤

09100-66553

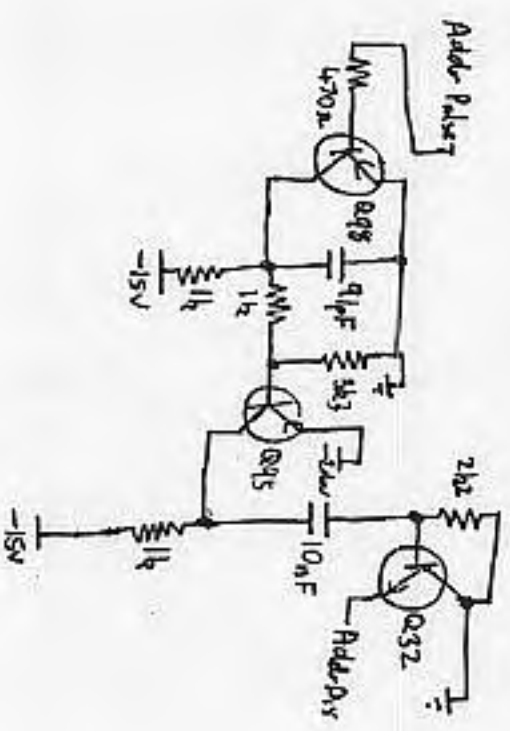
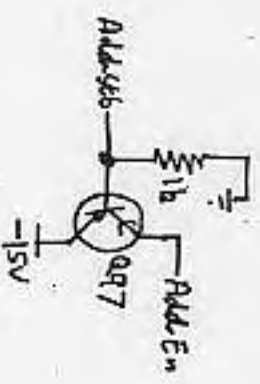


HP9100B Core Address PCB sheet ⑦

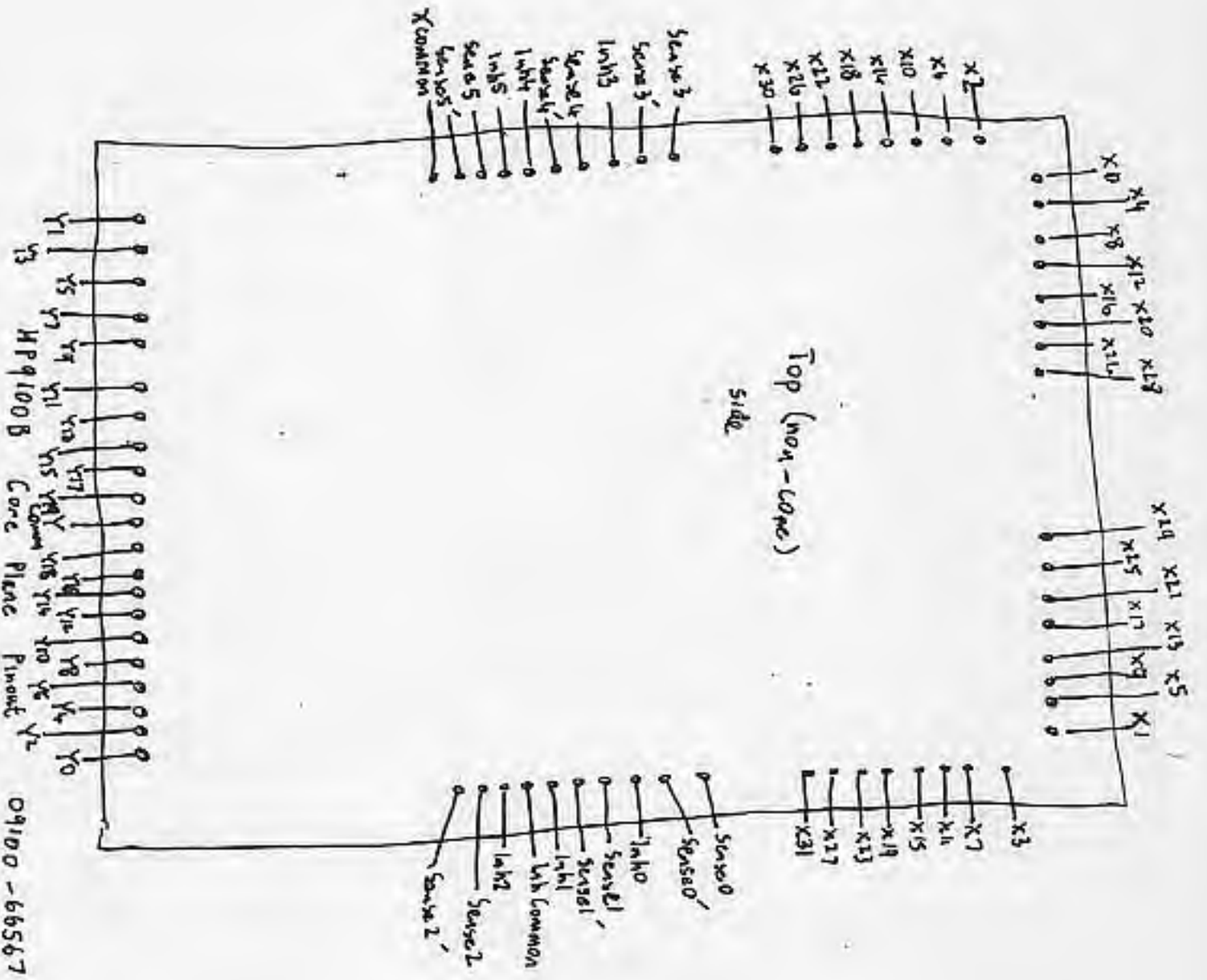
09100-66553

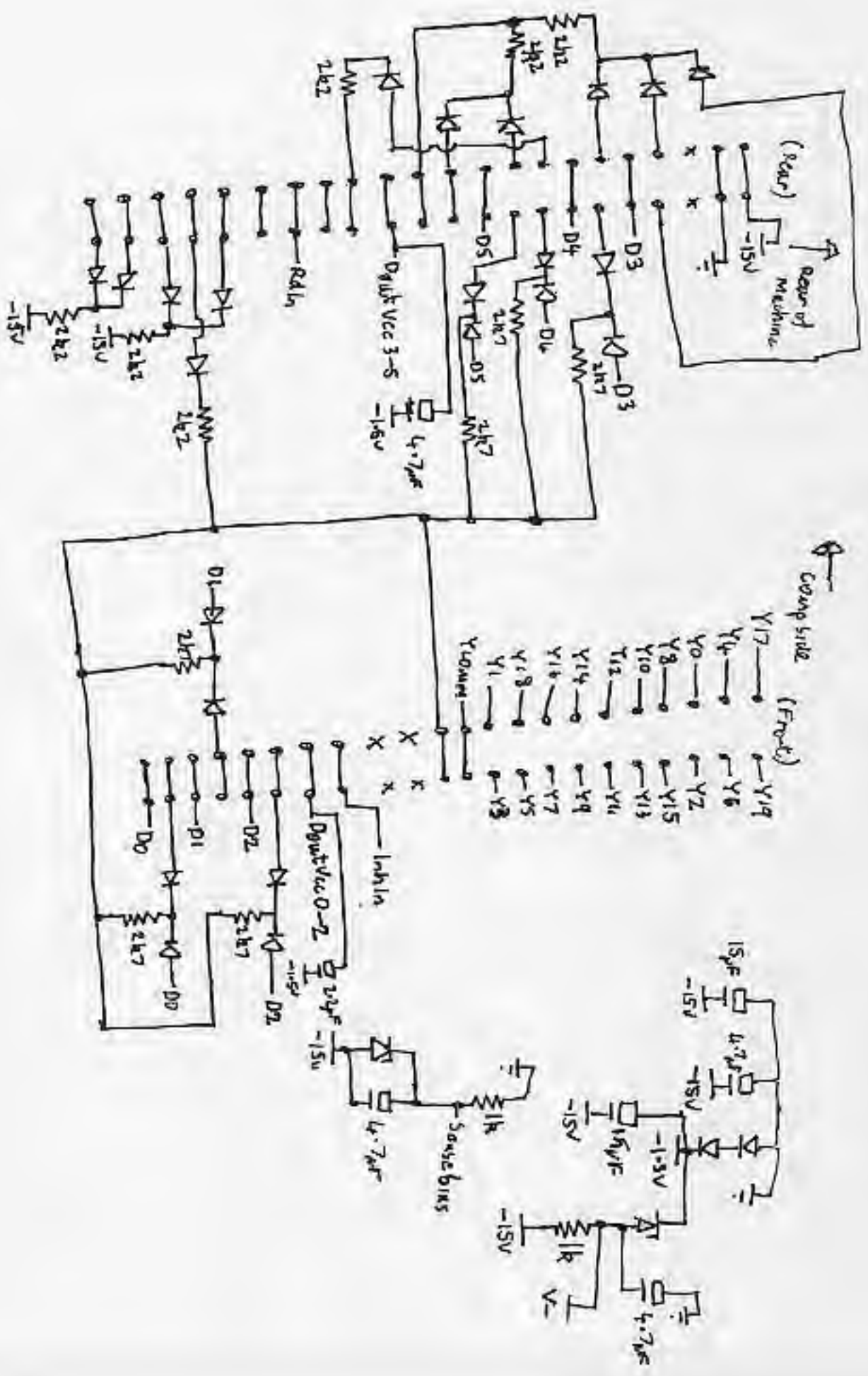


Current Source



Address Control





Connectors, misc logic

← Comp side
 ↑ Rear of Machine

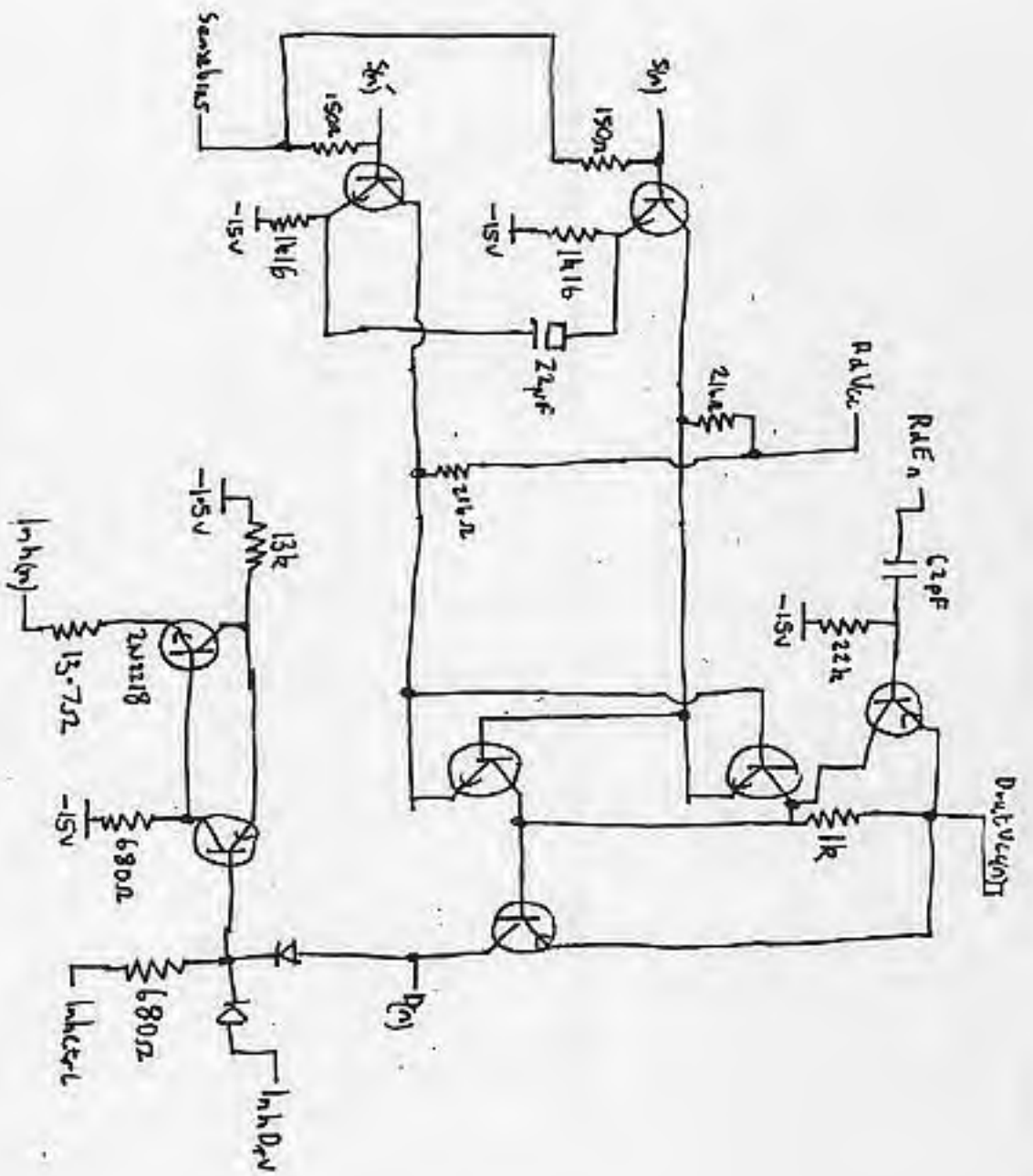
- (Top)
- X2 → 0-X6
 - X10 → 0-X22
 - X14 → 0-X26
 - X18 → 0-X30
 - X0 → 0-X8
 - X4 → 0-X16
 - X12 → 0-X20
 - X28 → 0-X24
 - X31 → 0-X27
 - X15 → 0-X23
 - X24 → 0-X14
 - X25 → 0-X17
 - X21 → 0-X13
 - X5 → 0-X9
 - X1 → 0-X7
 - X11 → 0-X3
 - 0 → X10000
 - 0 → 1mb etc

Ground plane under core

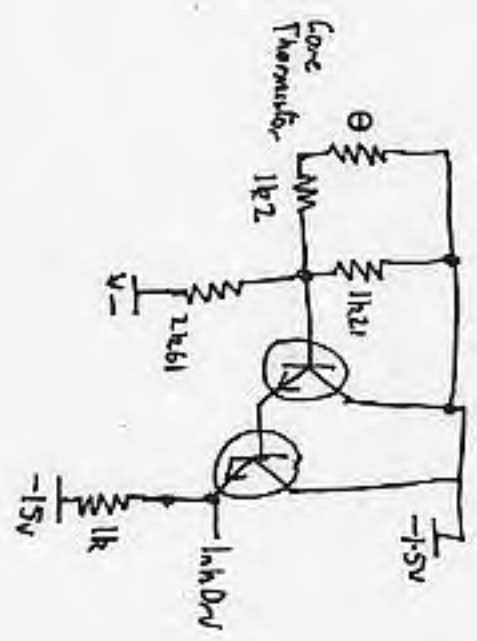
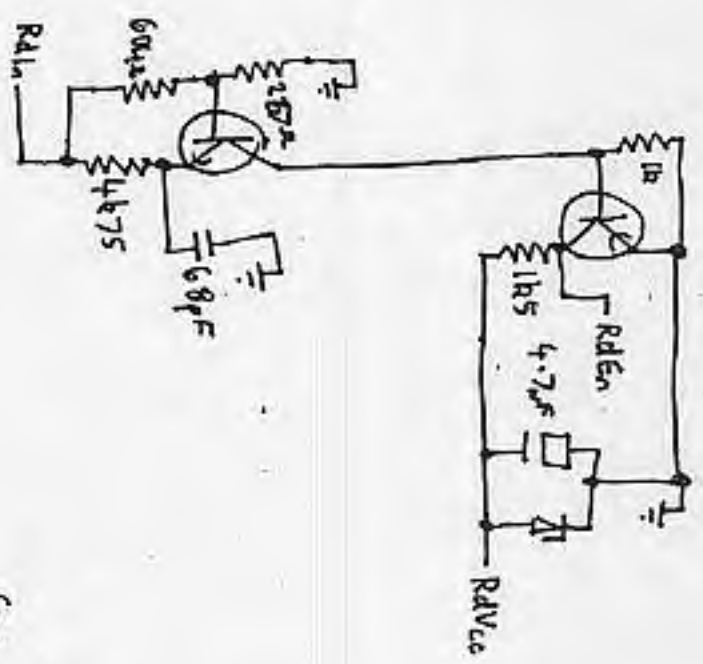
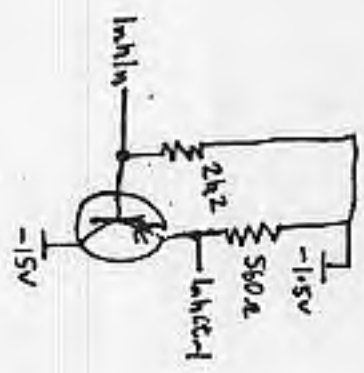
Core Plane

HP9100B Core/Data PCB Sheet ②
 09100-66554

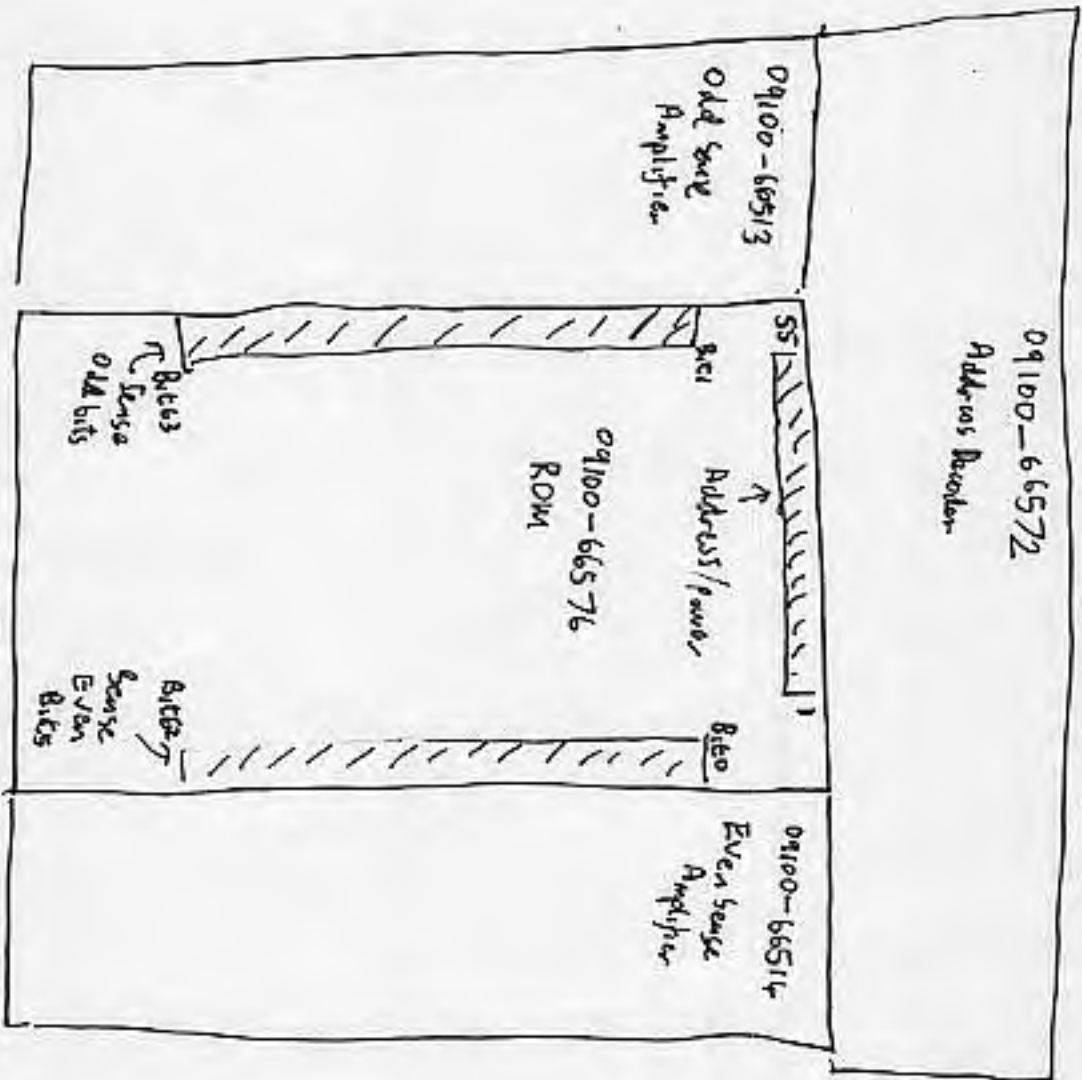




Sense / Inhibit (1 of 6)



Control Logic

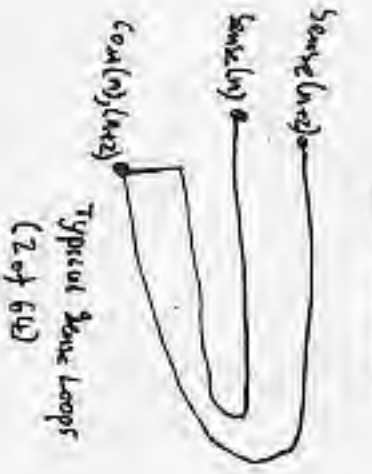


HP4100B ROM Assy layout

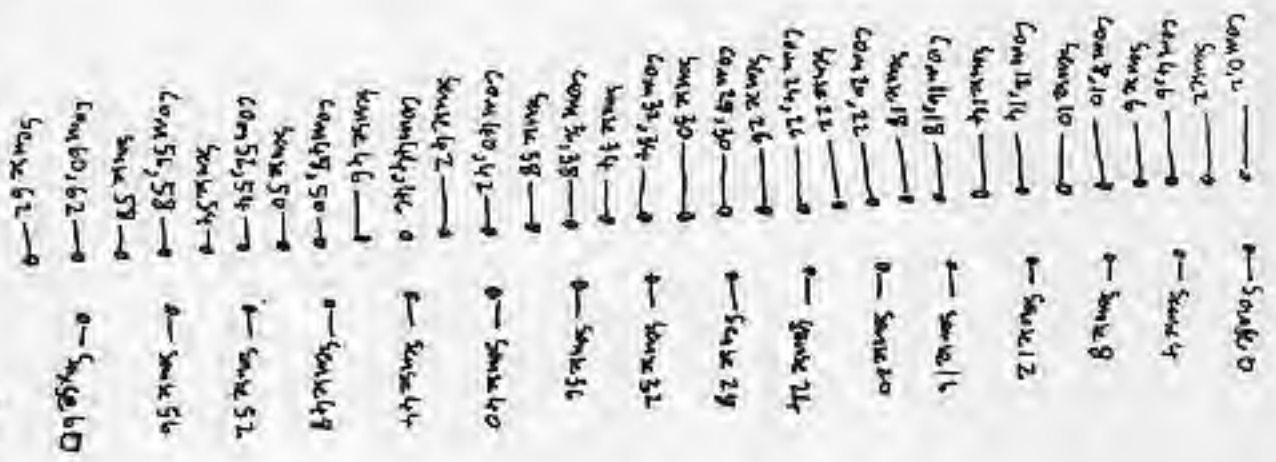
Rev of
Machine



Sense Loops



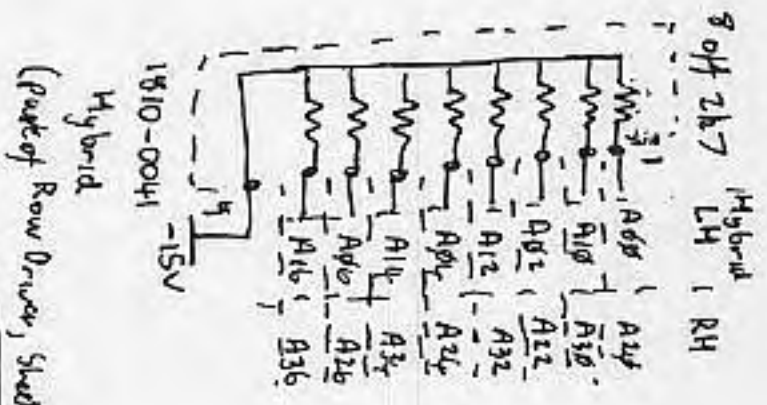
[All ROM connections shown from top
(trickle side) of PCB]



HP9100G Rom Sheet ①

09100-66576

RH Sense Connections
(to 09100-66514)



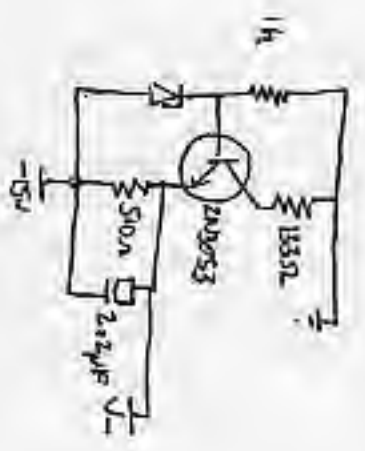
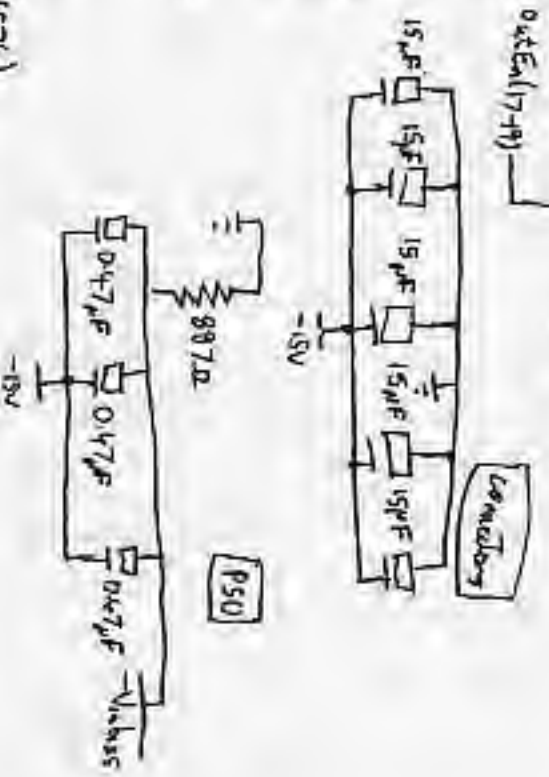
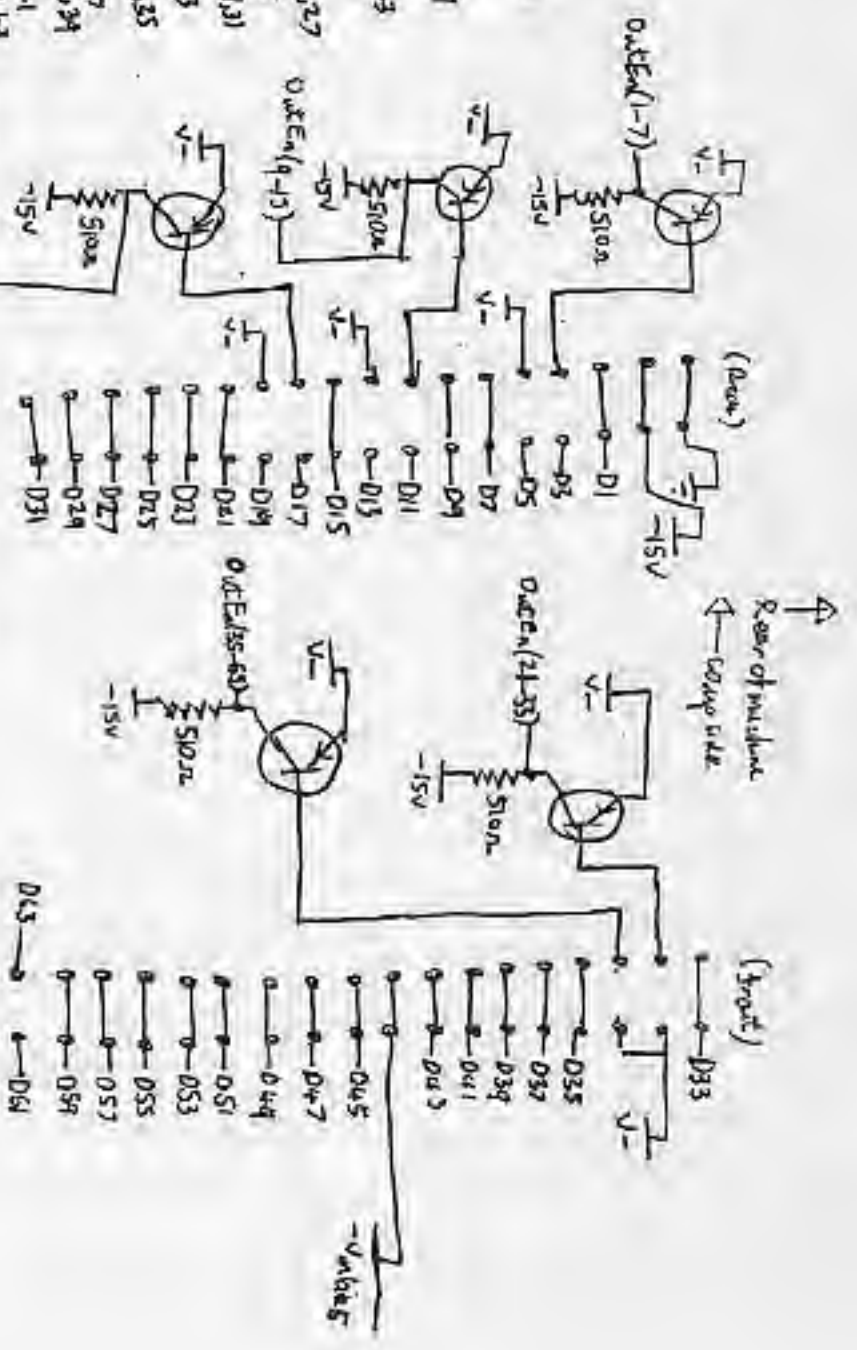
Hybrid Resistor Network
Connections

HP91008 Row Sheet ③

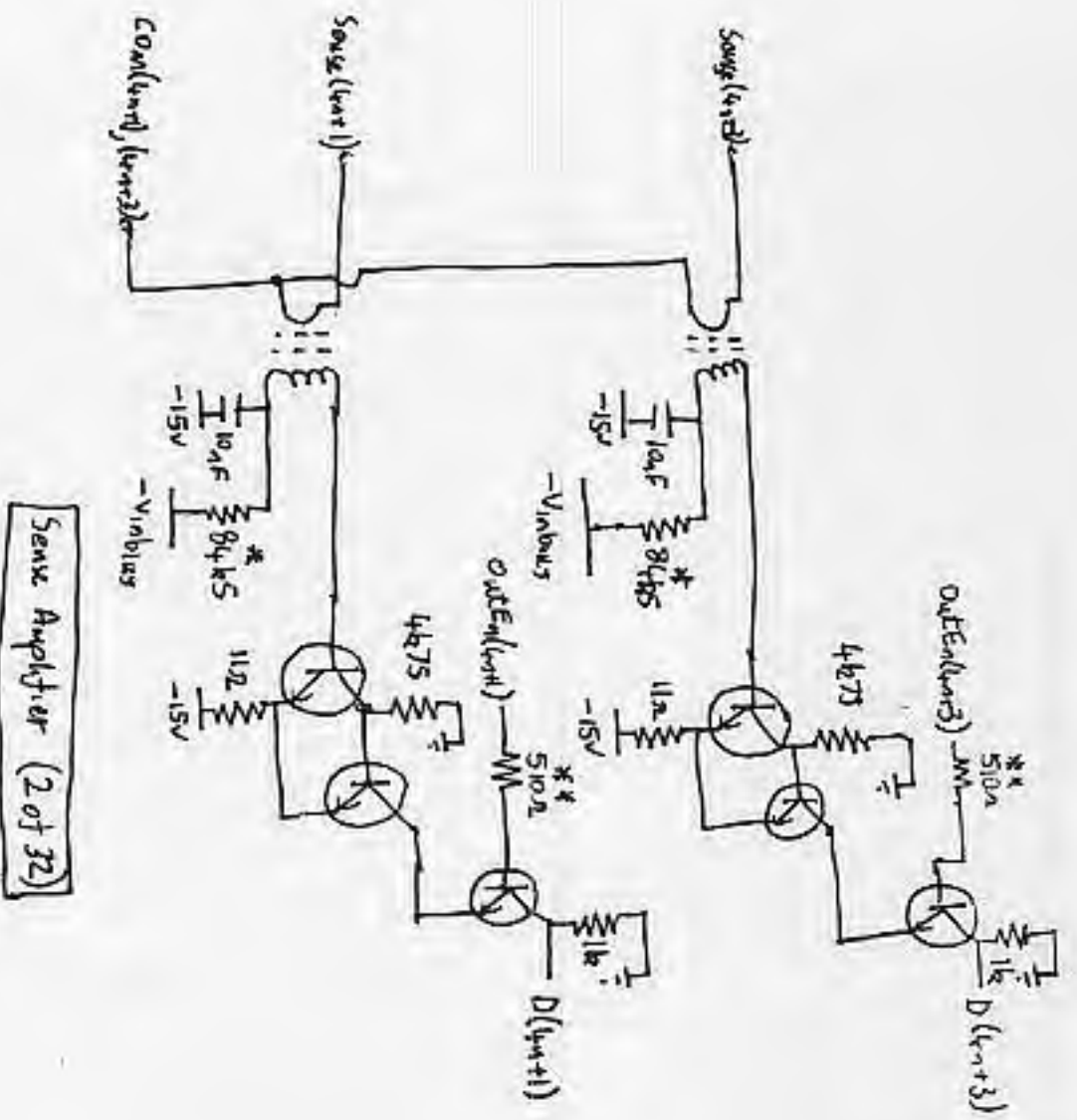
09100-6657E

- Sense 1 → Sense 1
- Sense 2 → Sense 2
- Sense 3 → Sense 3
- Sense 4 → Sense 4
- Sense 5 → Sense 5
- Sense 6 → Sense 6
- Sense 7 → Sense 7
- Sense 8 → Sense 8
- Sense 9 → Sense 9
- Sense 10 → Sense 10
- Sense 11 → Sense 11
- Sense 12 → Sense 12
- Sense 13 → Sense 13
- Sense 14 → Sense 14
- Sense 15 → Sense 15
- Sense 16 → Sense 16
- Sense 17 → Sense 17
- Sense 18 → Sense 18
- Sense 19 → Sense 19
- Sense 20 → Sense 20
- Sense 21 → Sense 21
- Sense 22 → Sense 22
- Sense 23 → Sense 23
- Sense 24 → Sense 24
- Sense 25 → Sense 25
- Sense 26 → Sense 26
- Sense 27 → Sense 27
- Sense 28 → Sense 28
- Sense 29 → Sense 29
- Sense 30 → Sense 30
- Sense 31 → Sense 31
- Sense 32 → Sense 32
- Sense 33 → Sense 33
- Sense 34 → Sense 34
- Sense 35 → Sense 35
- Sense 36 → Sense 36
- Sense 37 → Sense 37
- Sense 38 → Sense 38
- Sense 39 → Sense 39
- Sense 40 → Sense 40
- Sense 41 → Sense 41
- Sense 42 → Sense 42
- Sense 43 → Sense 43
- Sense 44 → Sense 44
- Sense 45 → Sense 45
- Sense 46 → Sense 46
- Sense 47 → Sense 47
- Sense 48 → Sense 48
- Sense 49 → Sense 49
- Sense 50 → Sense 50
- Sense 51 → Sense 51
- Sense 52 → Sense 52
- Sense 53 → Sense 53
- Sense 54 → Sense 54
- Sense 55 → Sense 55
- Sense 56 → Sense 56
- Sense 57 → Sense 57
- Sense 58 → Sense 58
- Sense 59 → Sense 59
- Sense 60 → Sense 60
- Sense 61 → Sense 61
- Sense 62 → Sense 62
- Sense 63 → Sense 63

Sense connection
to ROM (09100-66576)



HP9100B Odd Sense Amplifier Check ① 09100-66513

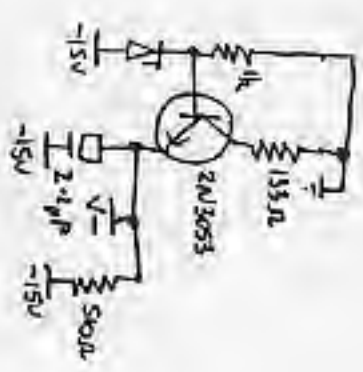
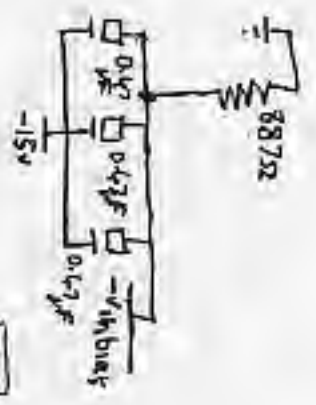
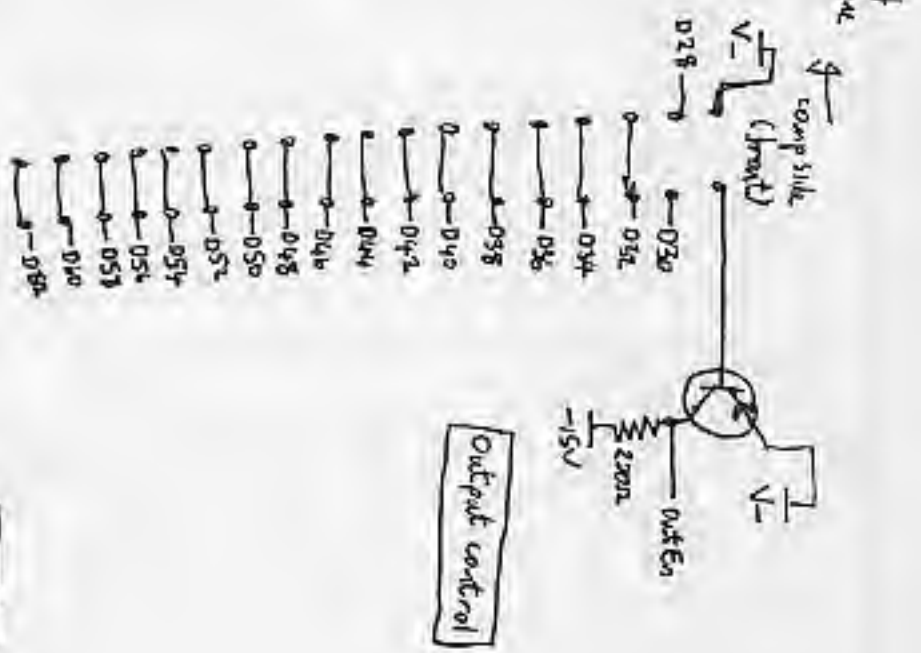
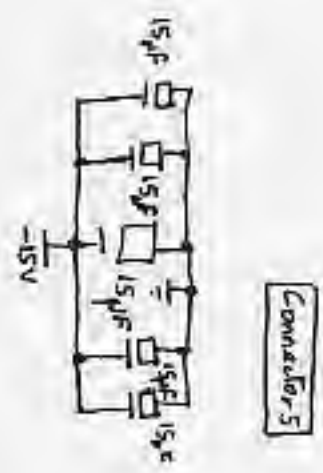


Component changes
 * 106k D3
 ** 240Ω · 027

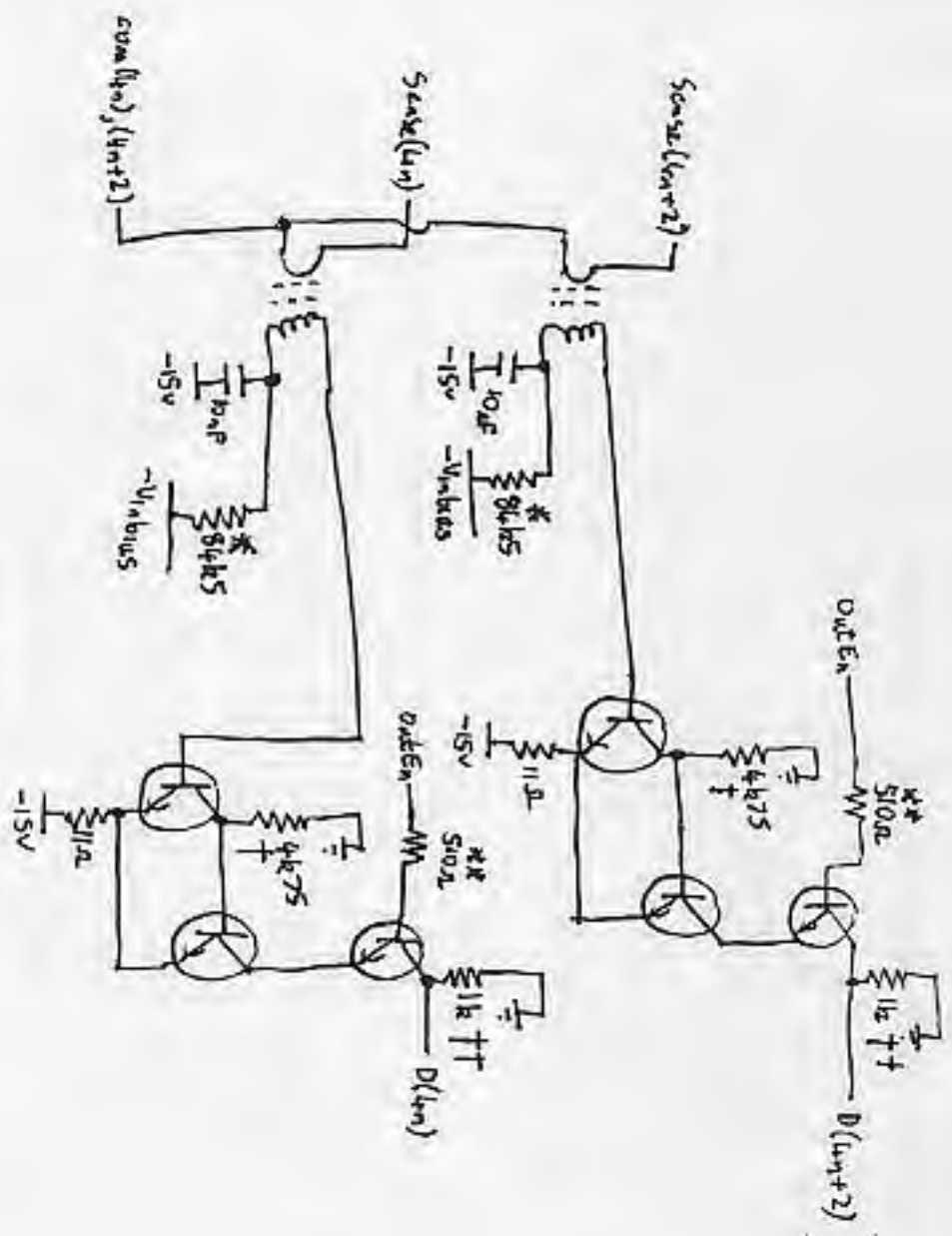
com0_2-0	→ Sense0
Sense1-0	→ Sense1
com0_1-0	→ Sense1
Sense6-0	→ Sense6
com0_10-0	→ Sense8
Sense10-0	→ Sense12
com1_1-0	→ Sense12
Sense14-0	→ Sense16
com1_18-0	→ Sense16
Sense18-0	→ Sense30
com2_0-0	→ Sense24
Sense22-0	→ Sense24
com2_1-0	→ Sense24
Sense26-0	→ Sense32
com3_0-0	→ Sense32
Sense30-0	→ Sense32
com3_1-0	→ Sense32
Sense34-0	→ Sense40
com3_2-0	→ Sense40
Sense38-0	→ Sense40
com4_0-0	→ Sense40
Sense42-0	→ Sense44
com4_1-0	→ Sense44
Sense46-0	→ Sense48
com4_2-0	→ Sense48
Sense50-0	→ Sense52
com5_0-0	→ Sense52
Sense54-0	→ Sense56
com5_1-0	→ Sense56
Sense58-0	→ Sense60
com5_2-0	→ Sense60
Sense62-0	→ Sense60

Sense Connections
to Rom (09100-66576)

HP9100 B Even Sense Amplifier



Sheet ①



Sense Amplifier (2 of 32)

Component changes:
 * 110k D₁
 75k D₁₂

+ 2k32 D₁₂, D₁₈
 * 240k D₀, D₀₀, D₀₁, D₁₂, D₂₅, D₅₅
 150k D₁₈, D₀₈
 †† 240k D₀

HP 71008 Even sense Amplifier sheet 2

09100-66514