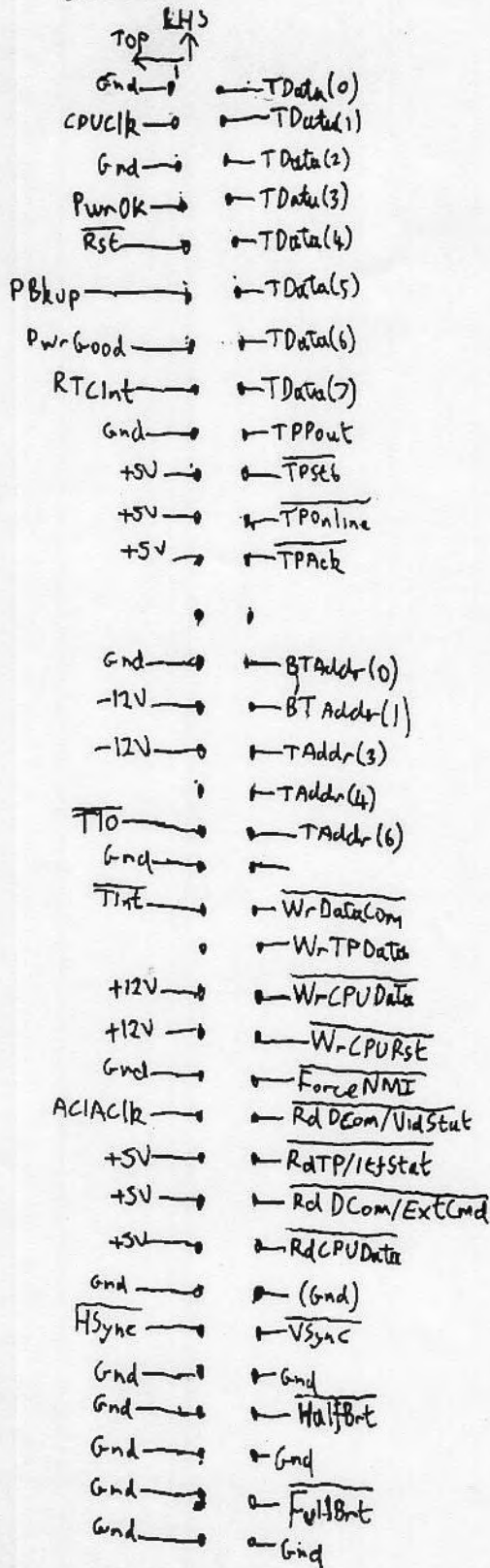
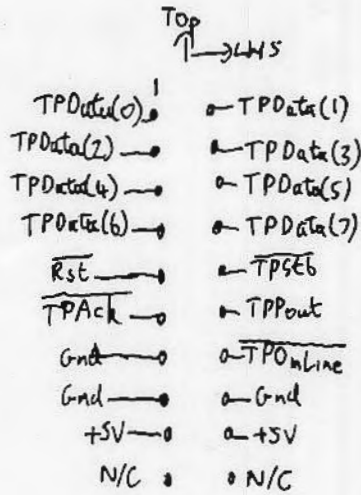


HP120

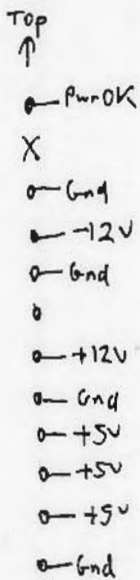


JF1, JF2
Logic PCBs

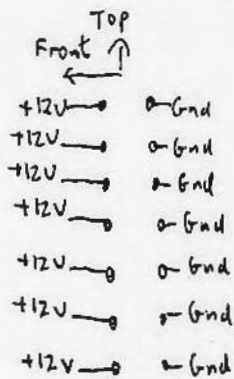
HP120



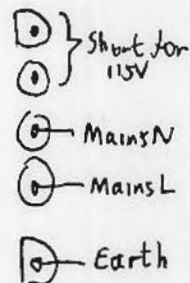
JF3
Video



JF4
Printer

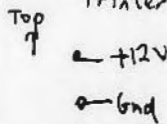


Front
↑

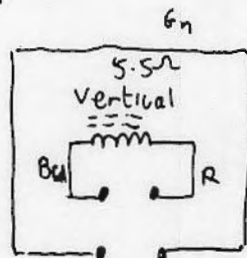


PSU/J1
Mains In

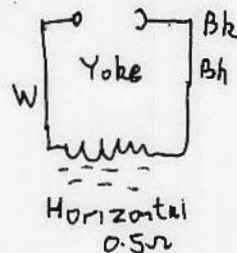
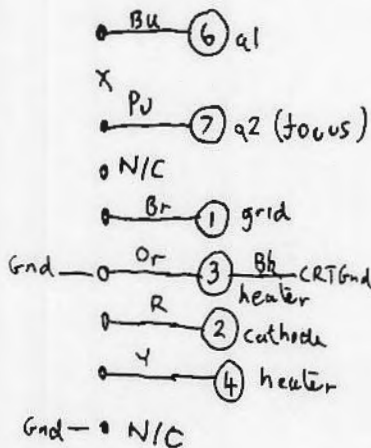
PSU/J3
Printer Power



PSU/J4
Fan

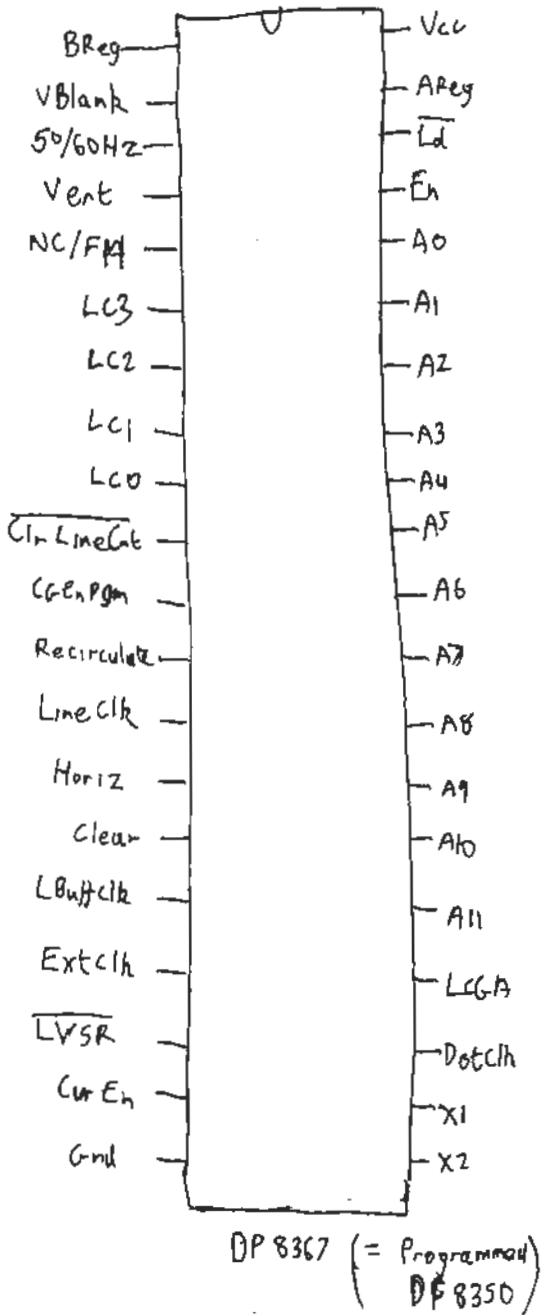


JF5
Power

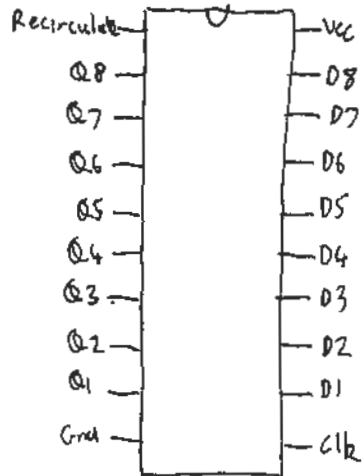


CRT Base
Cable

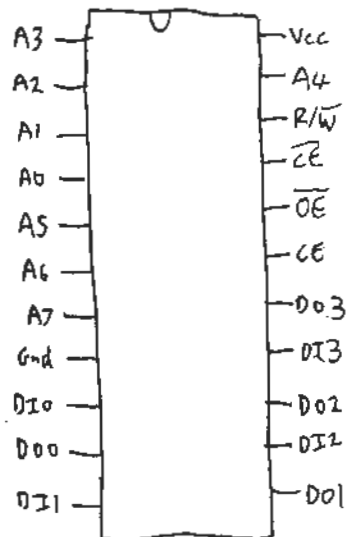
HP120



DP 8367 (= Programmed DP 8350)
1820-2373
Video Controller

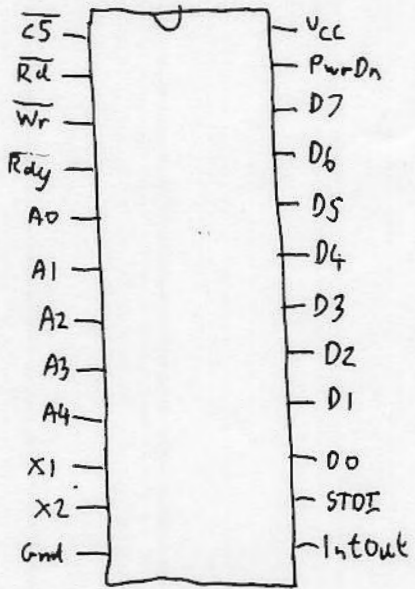


MM5035
Octal 80 bit
Shift Register
1820-2416



S101
256x4 CMOS
RAM

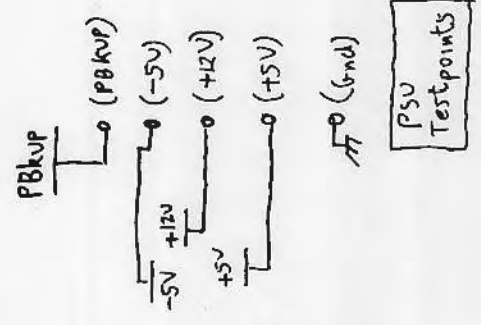
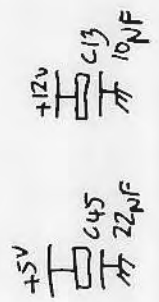
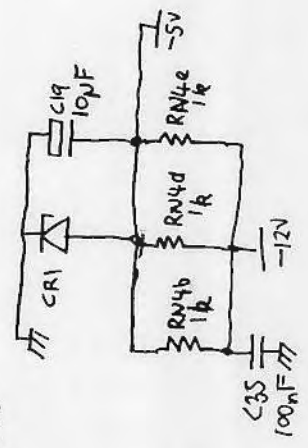
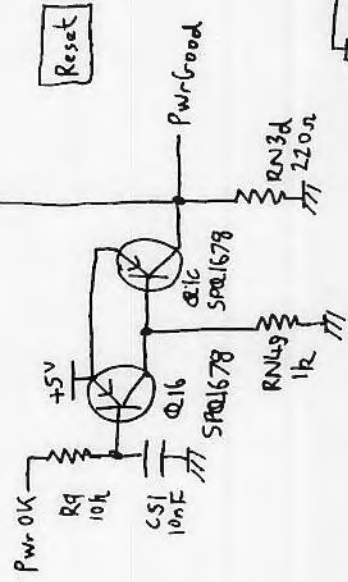
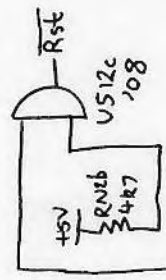
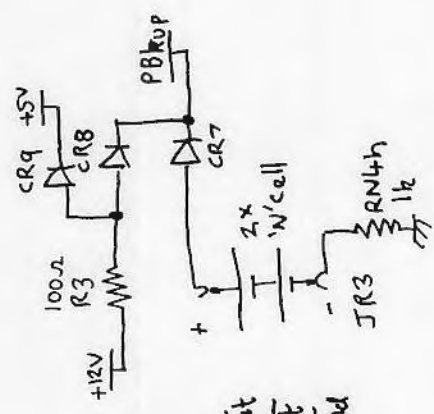
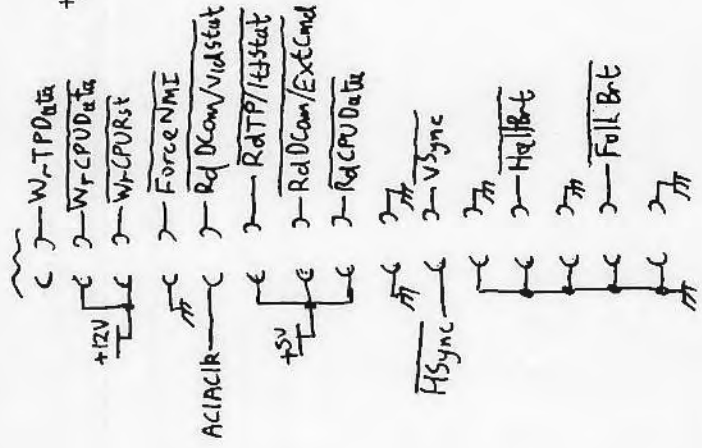
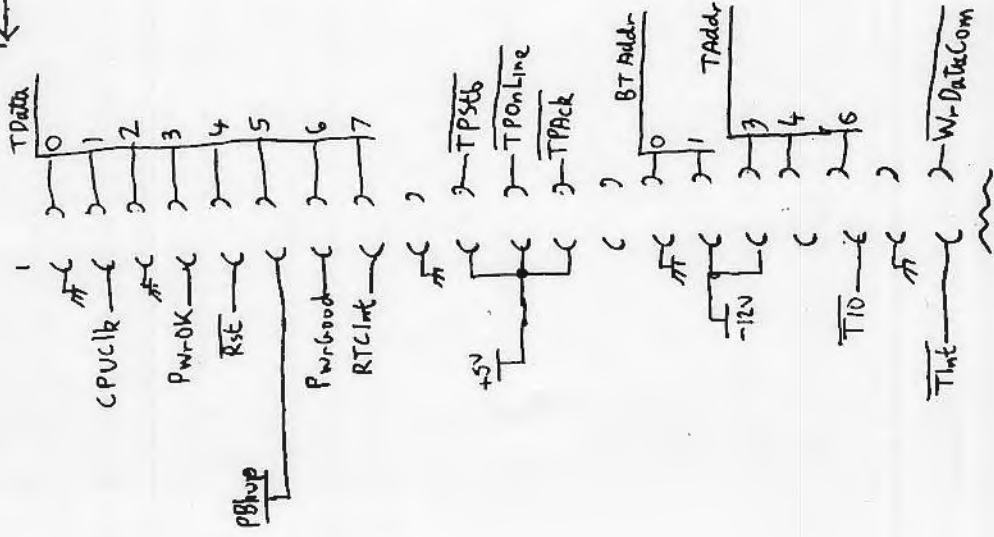
HP120



MMS8167

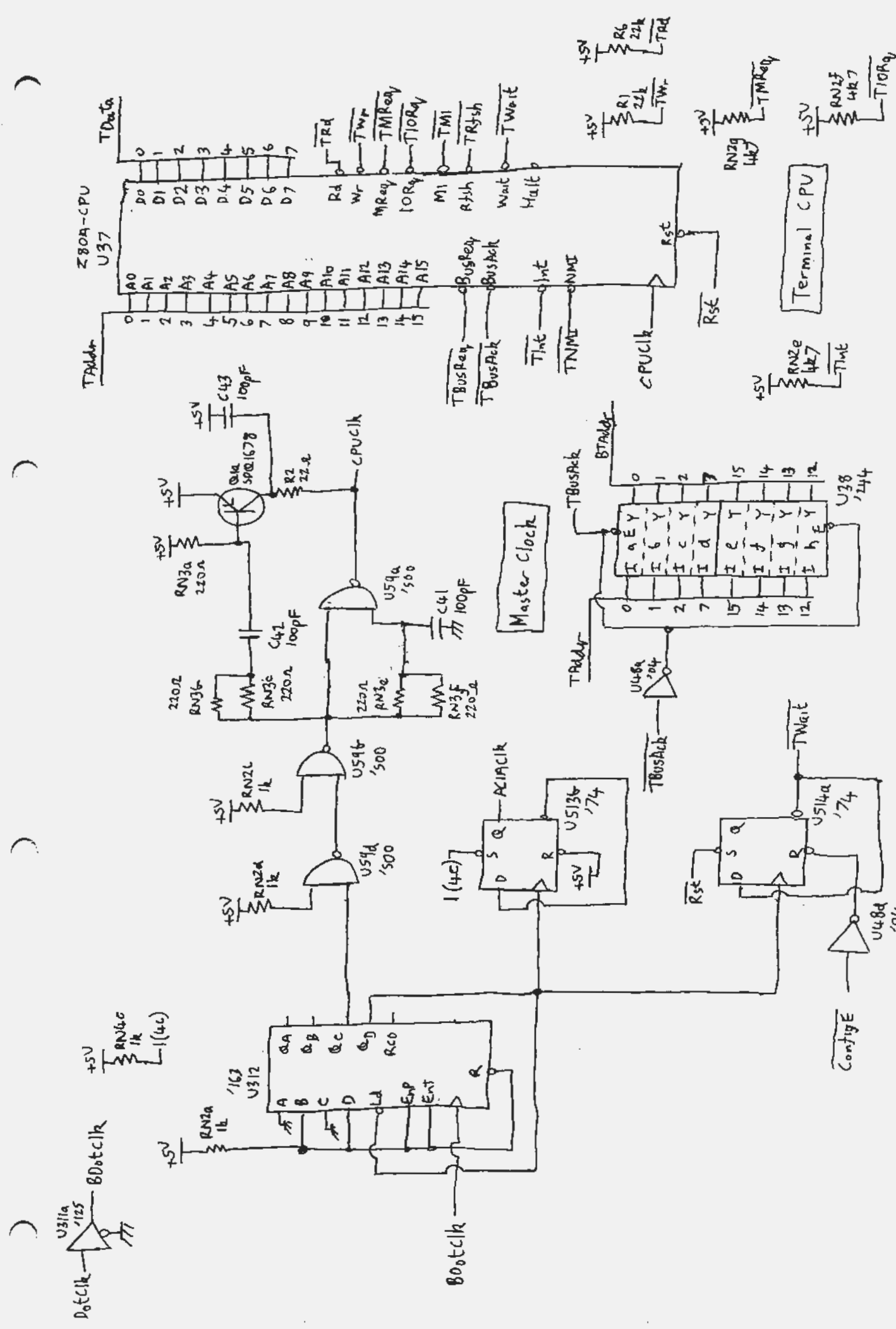
Real Time Clock

Top ← LAD

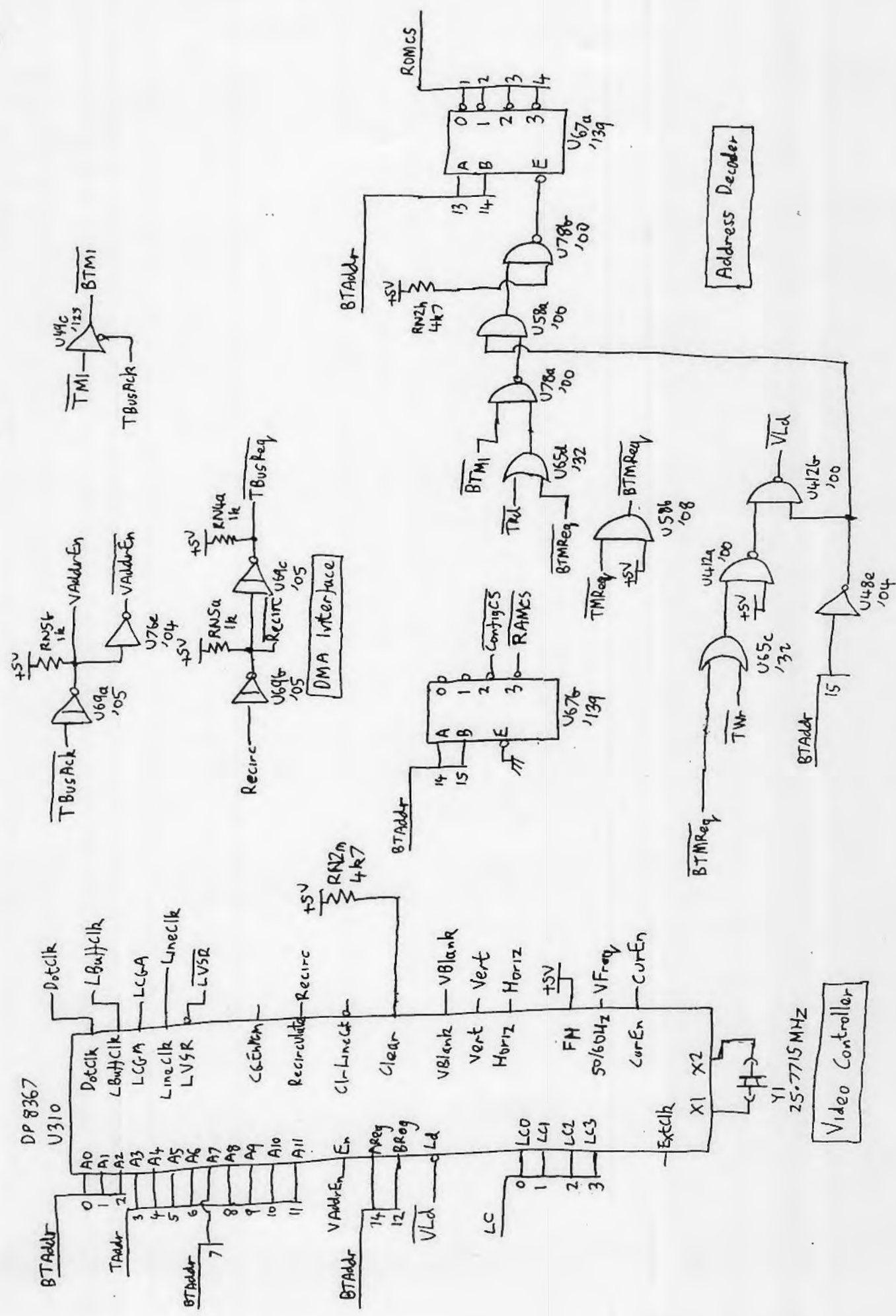


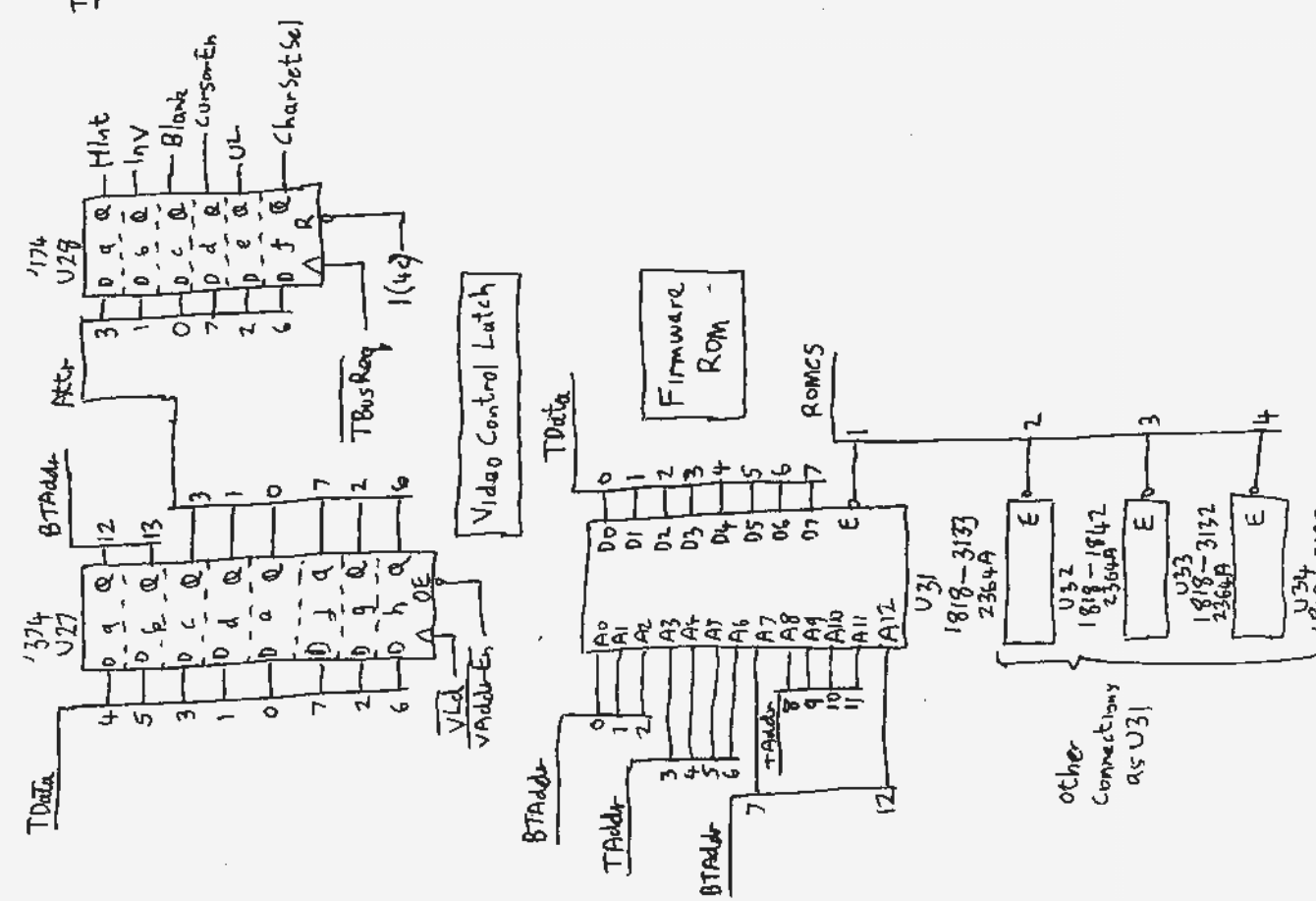
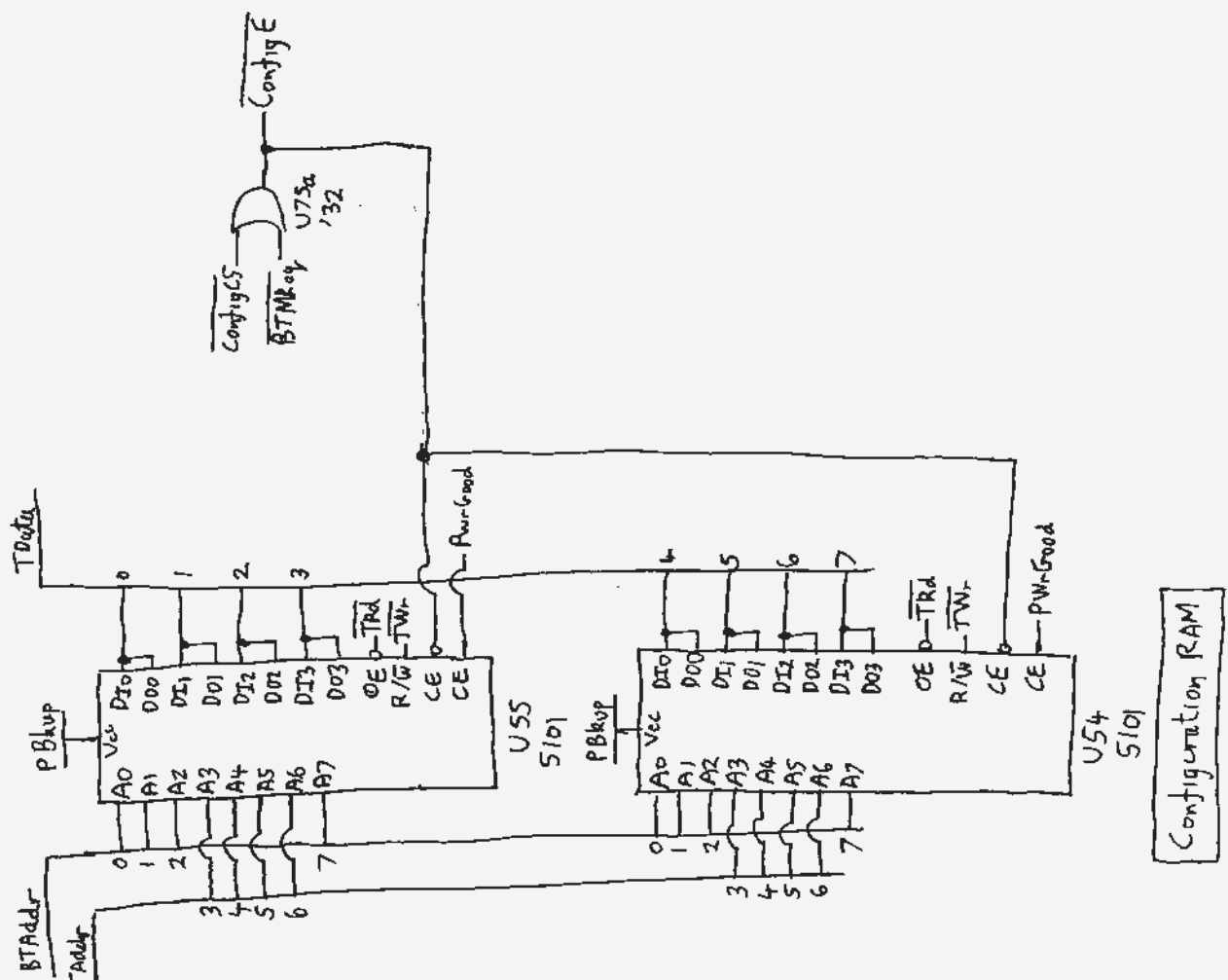
Backplane Connector

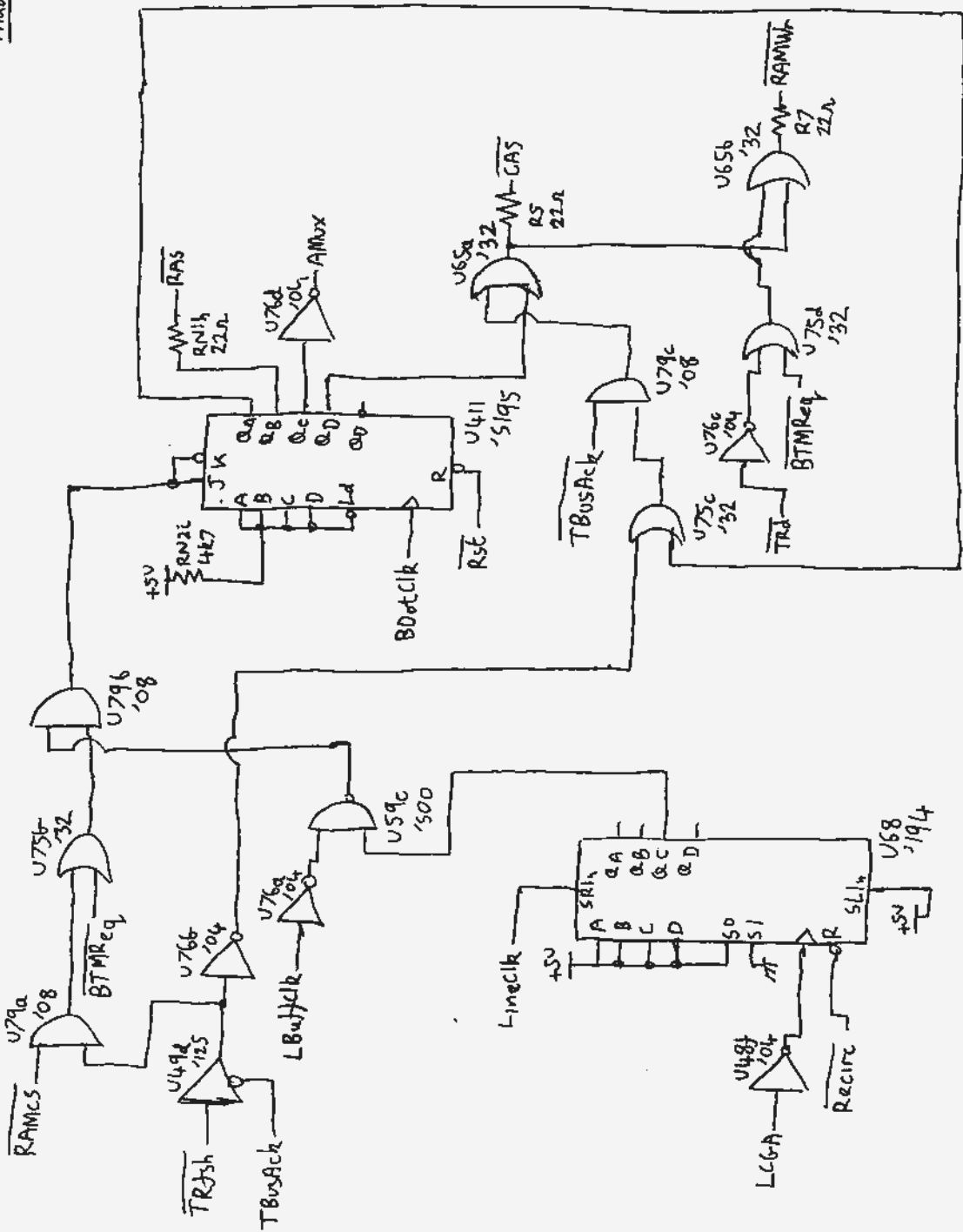
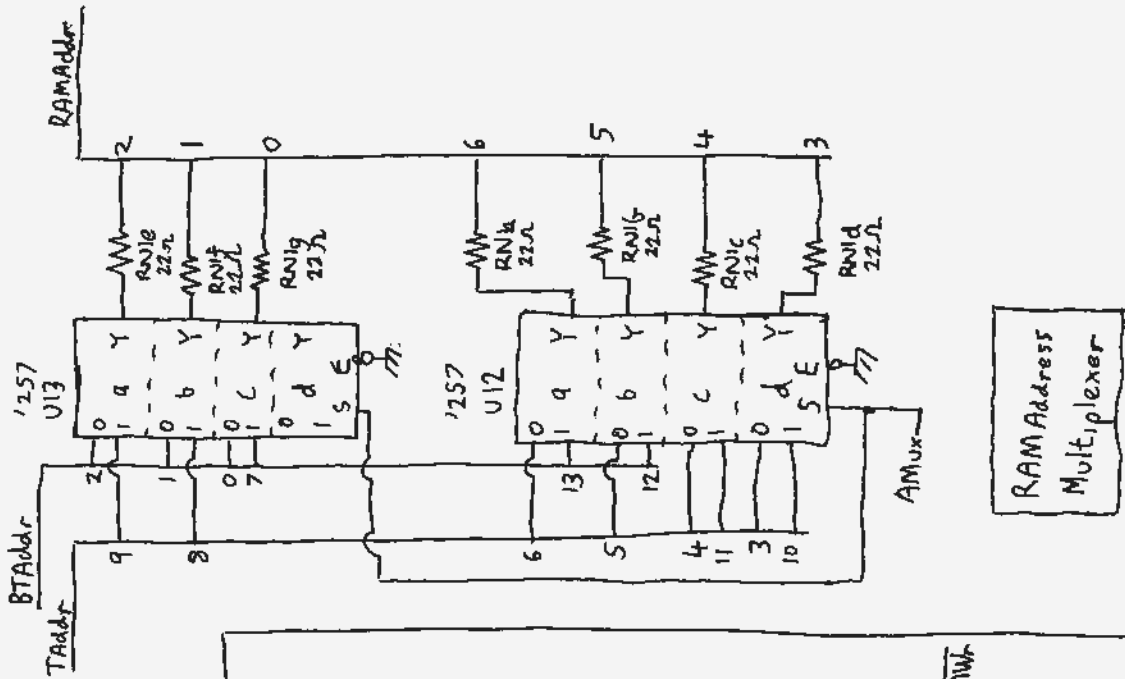


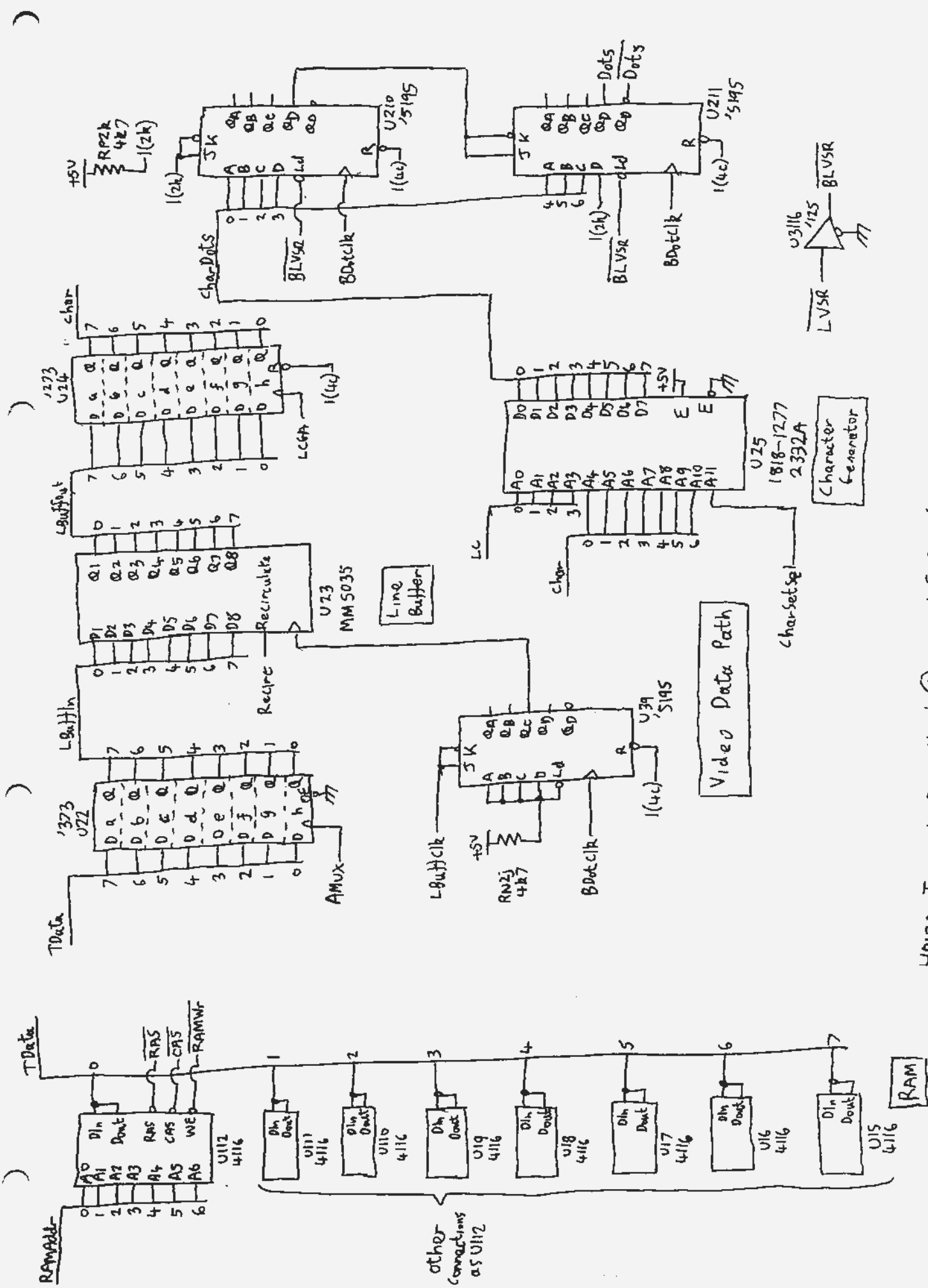


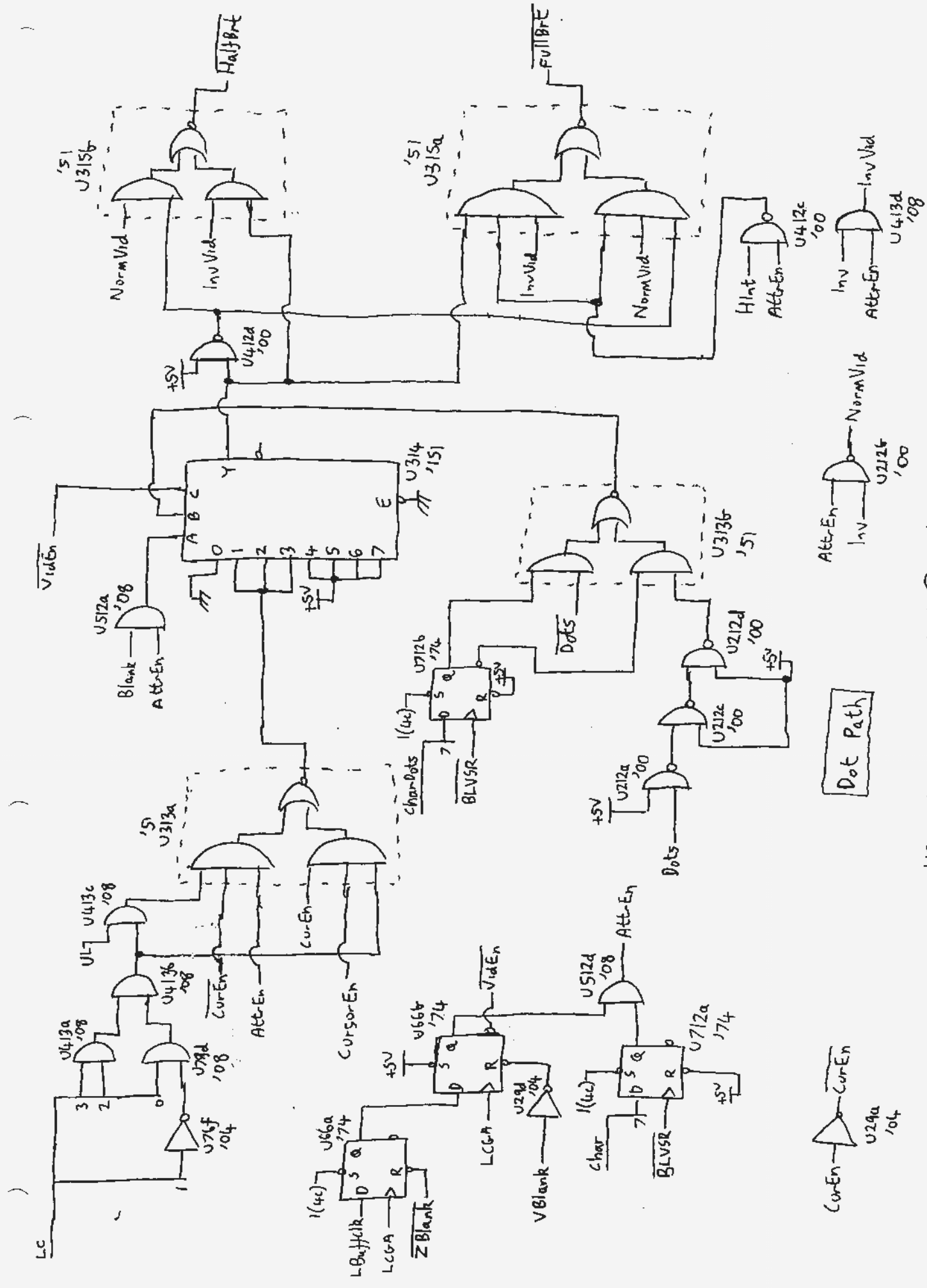
45600-60001



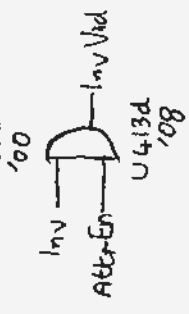
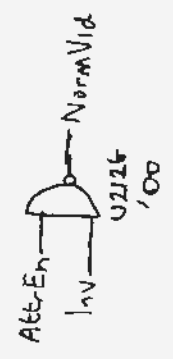
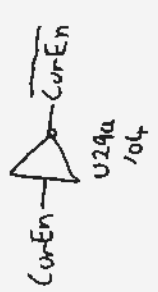


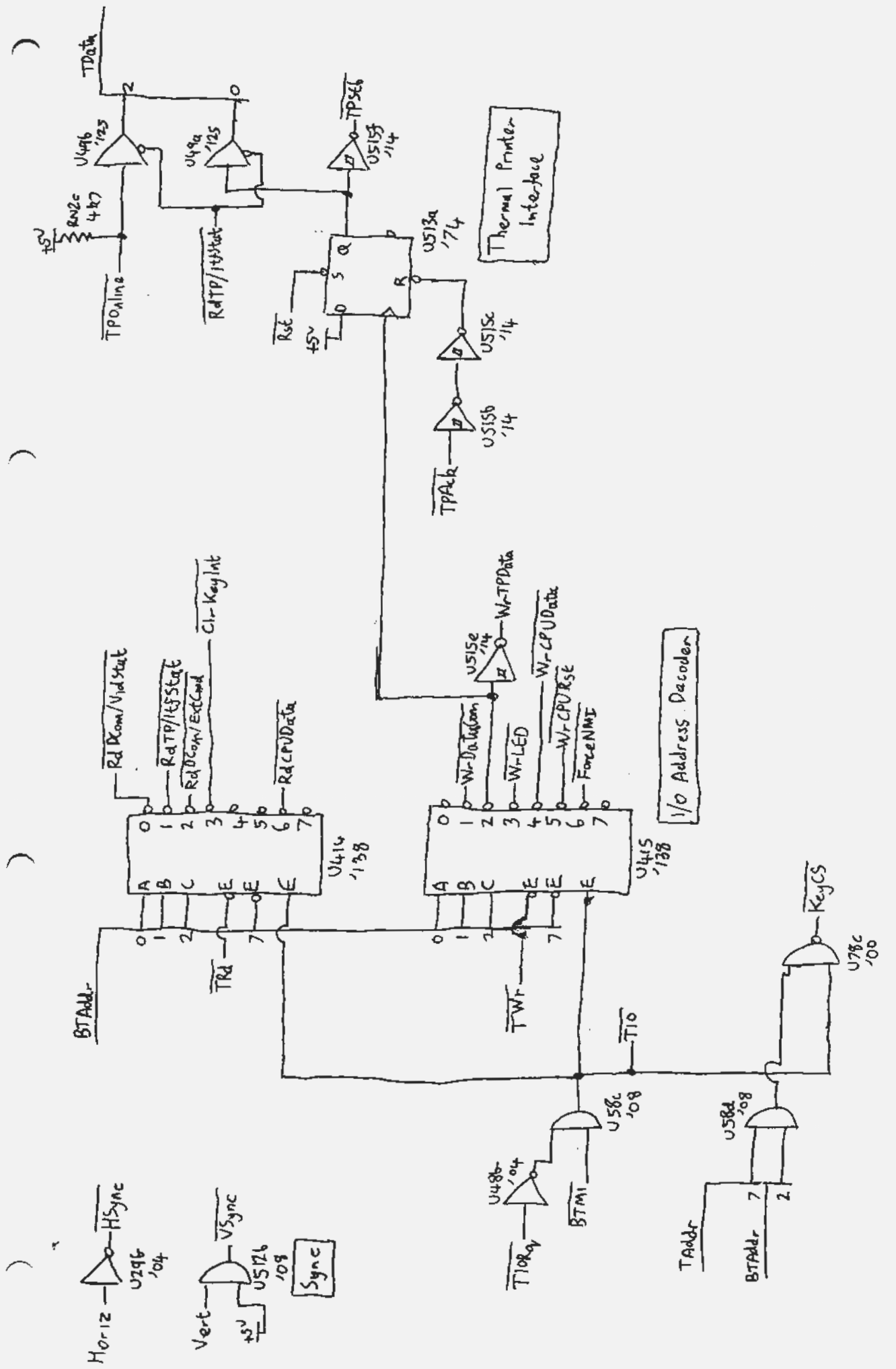


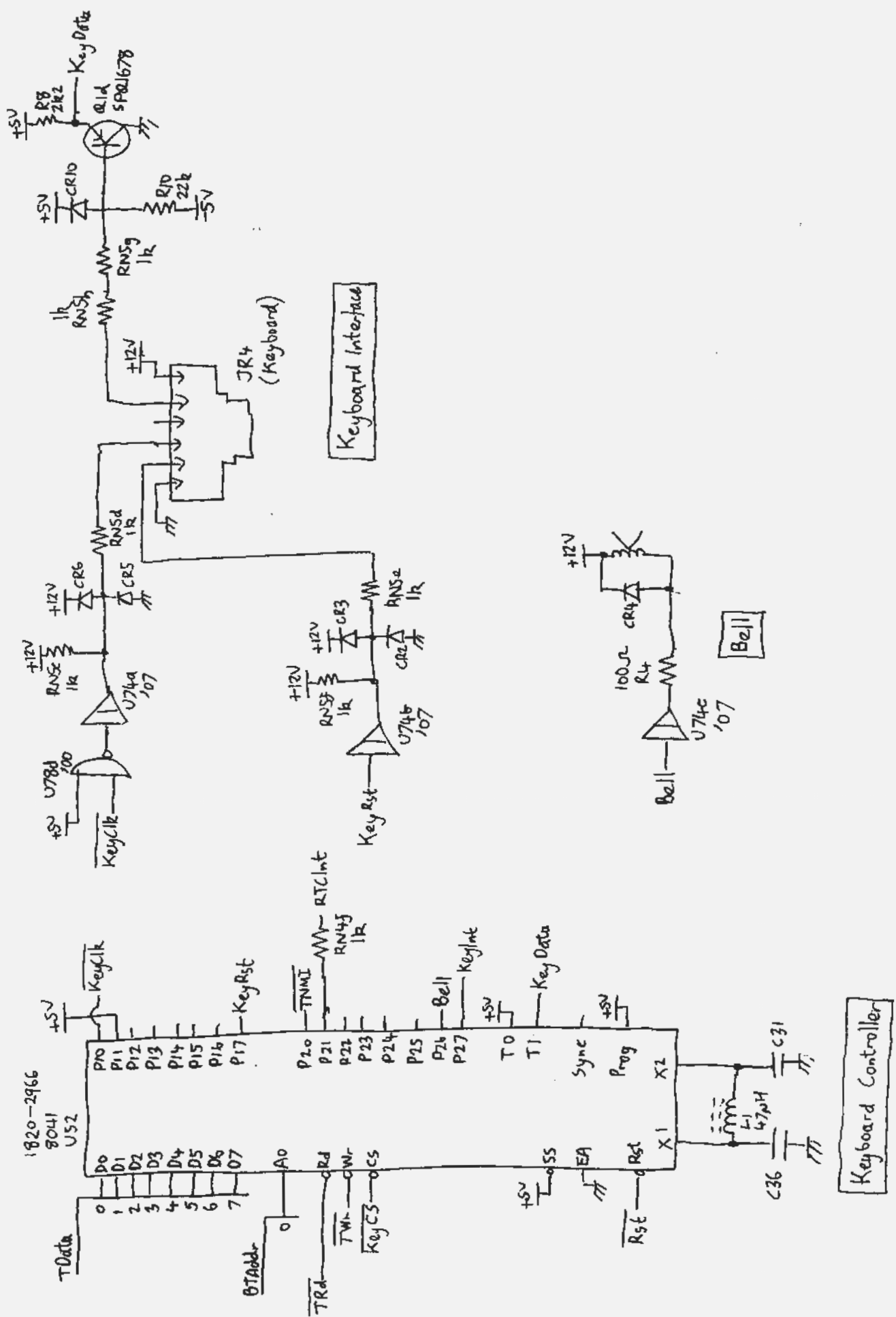


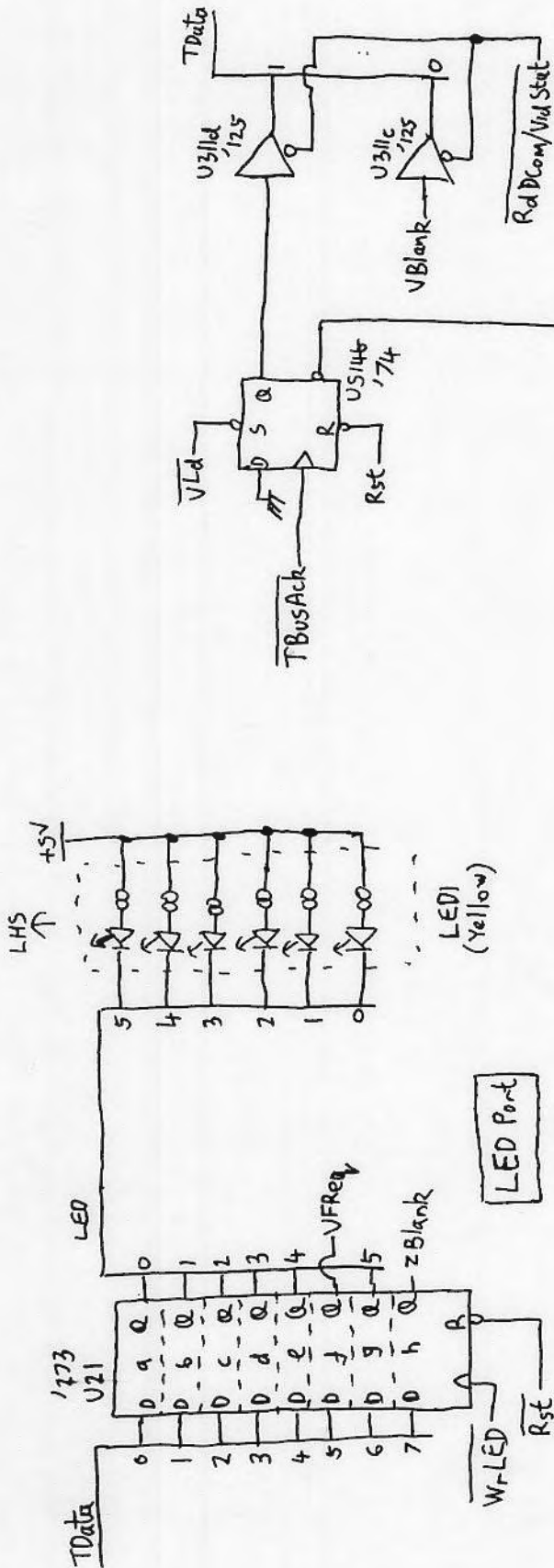


Dot Path

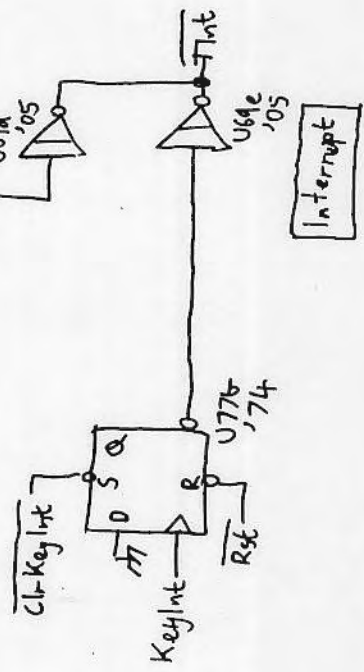






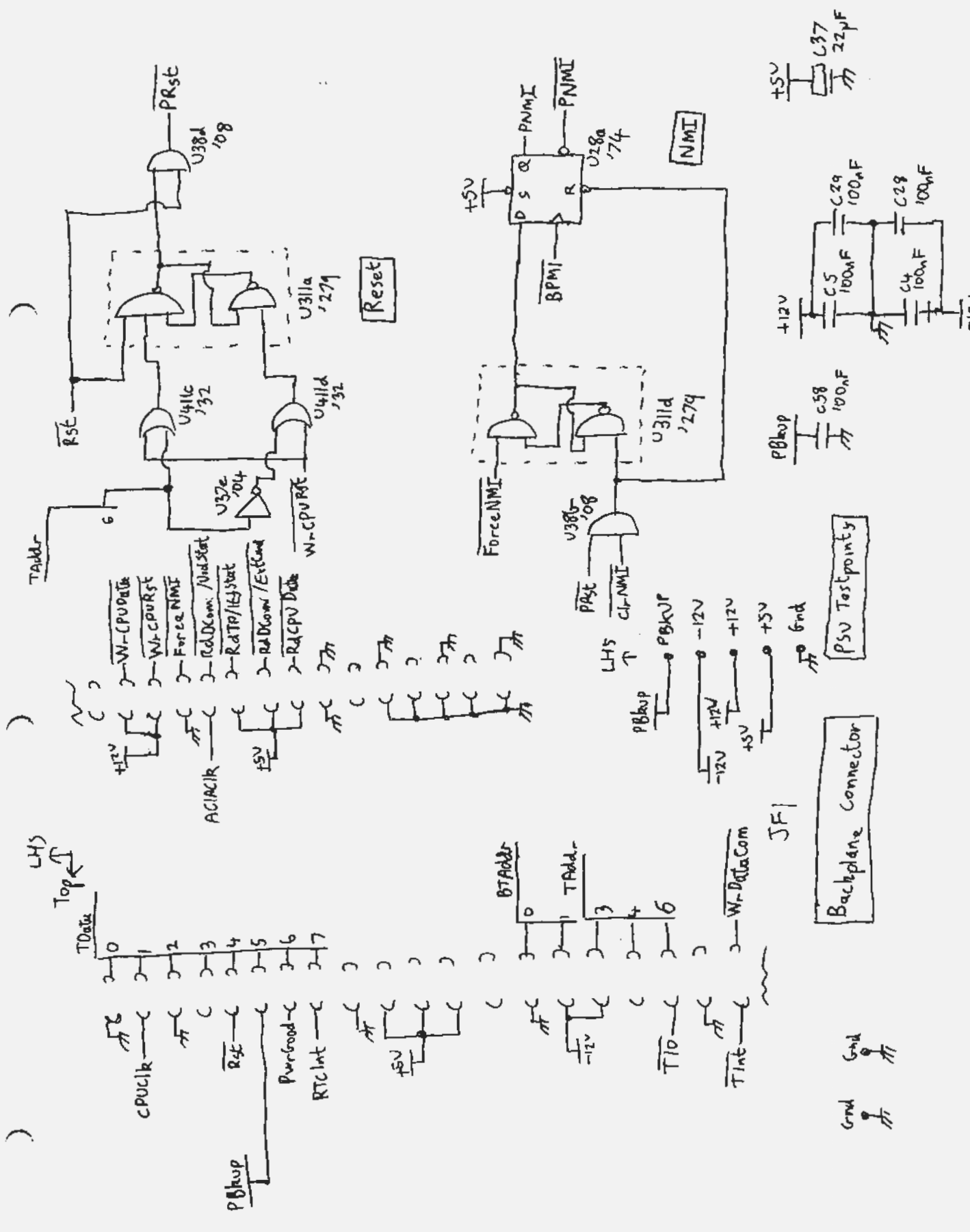


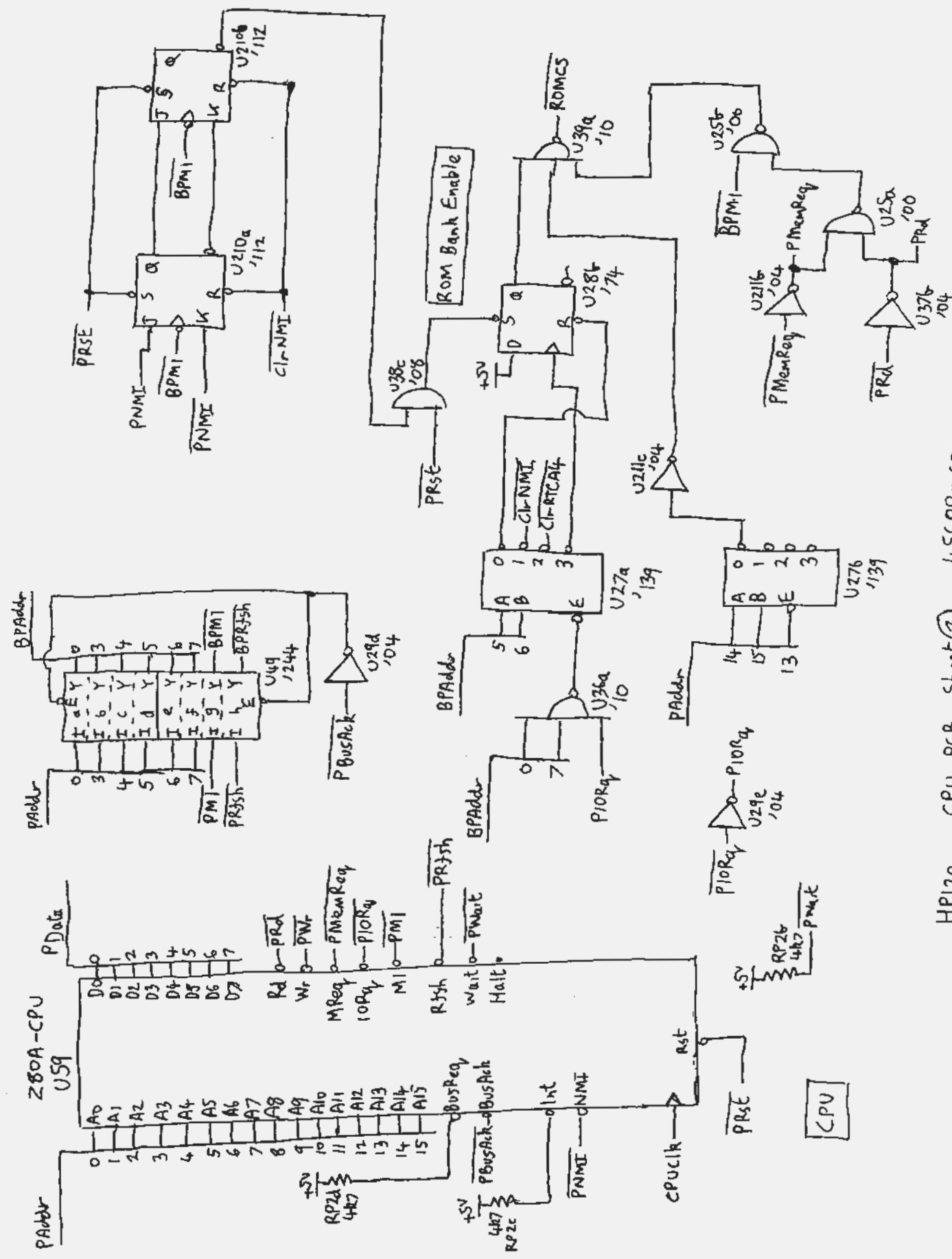
Video Status

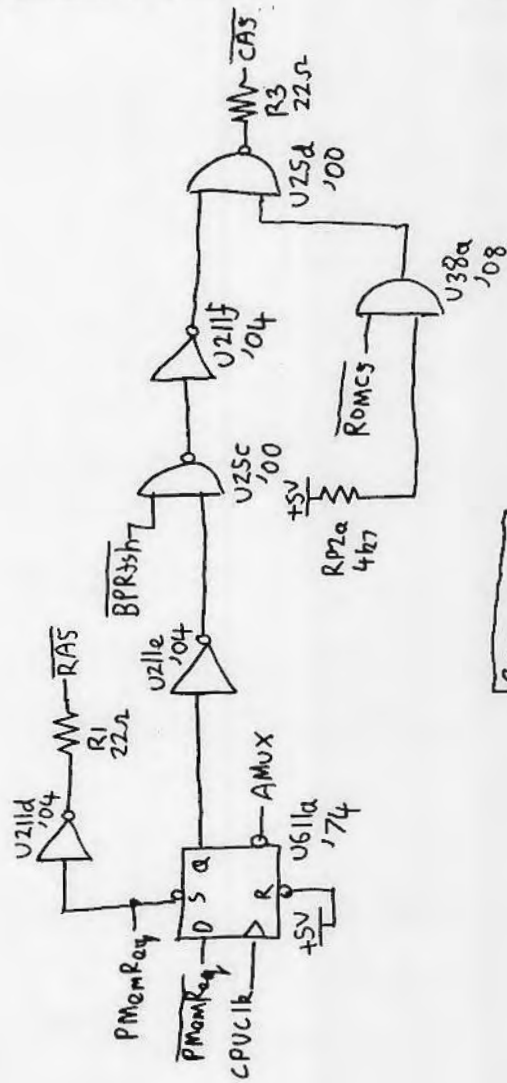
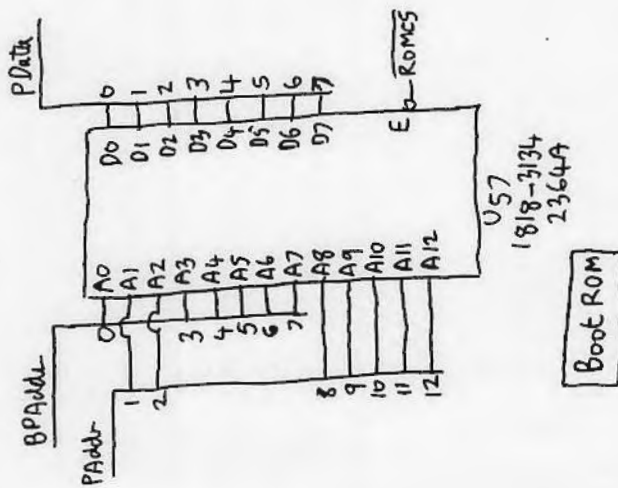
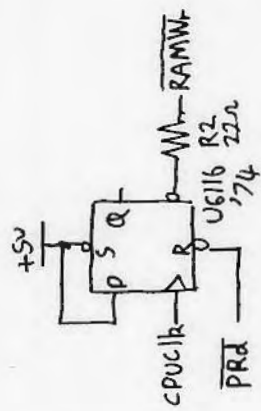
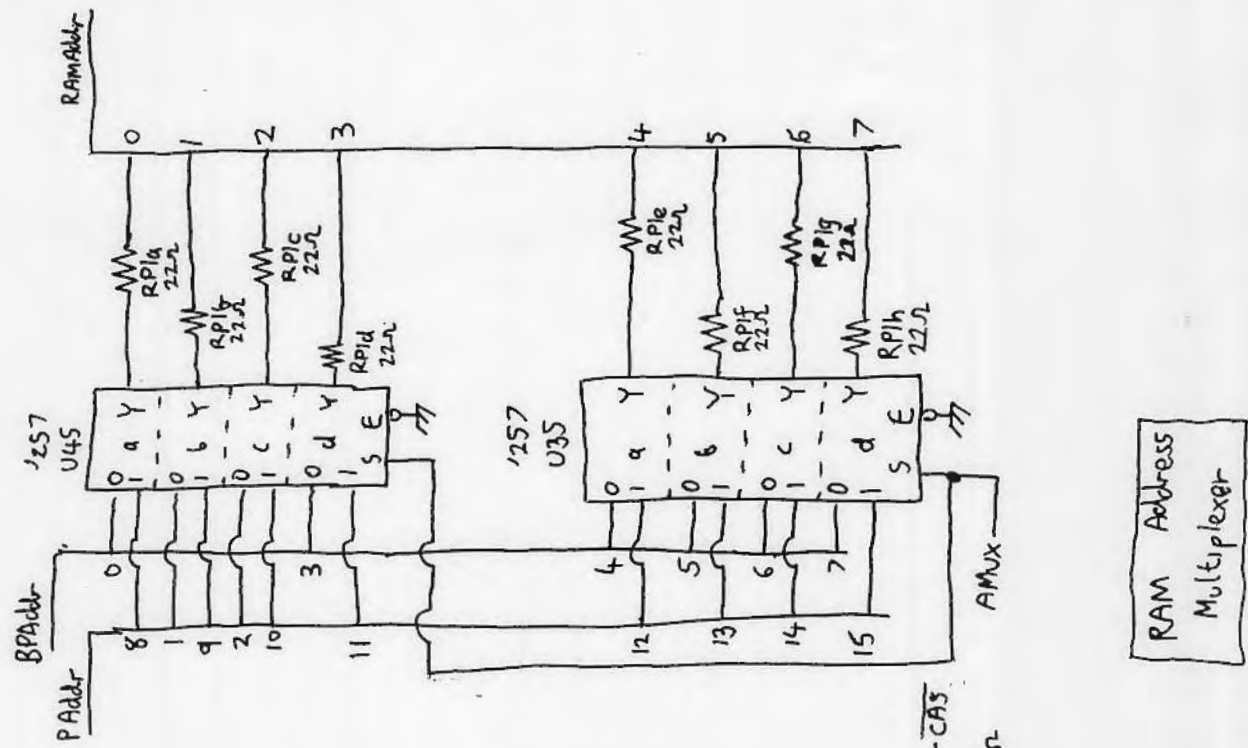


LED Port

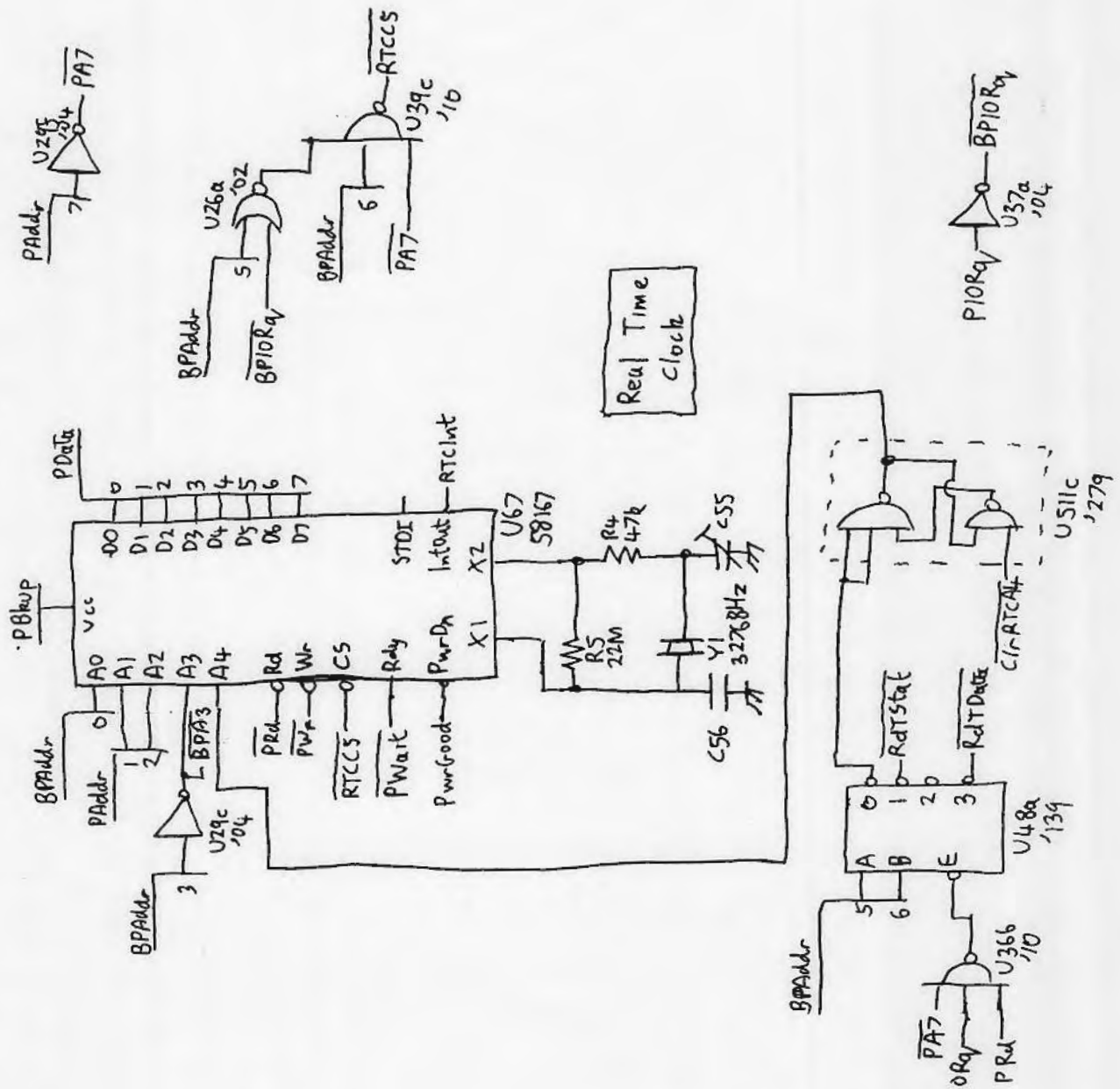
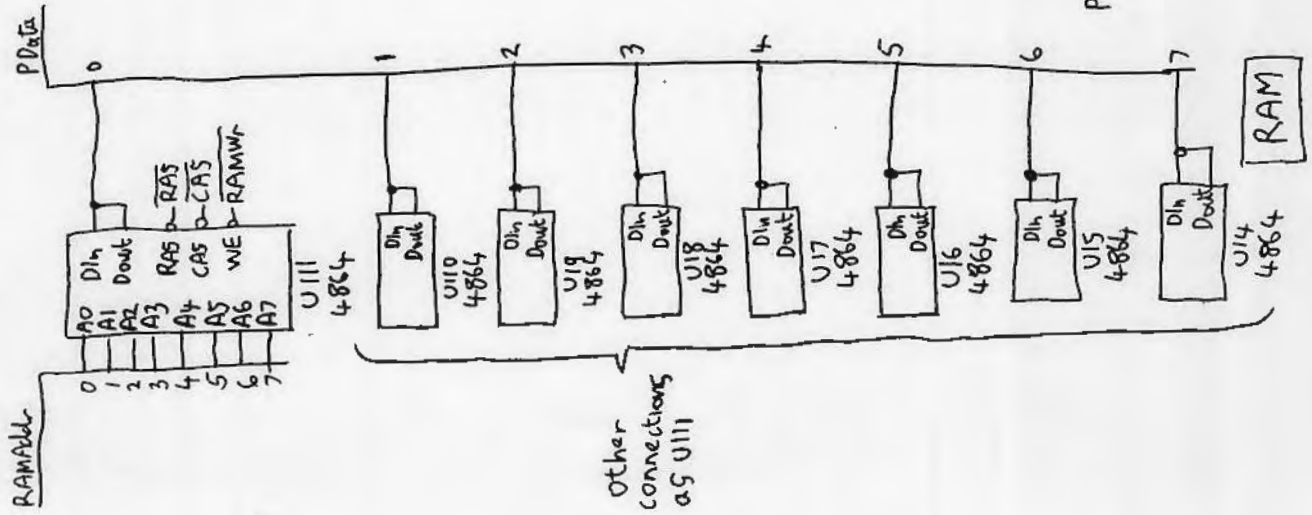
Interrupt

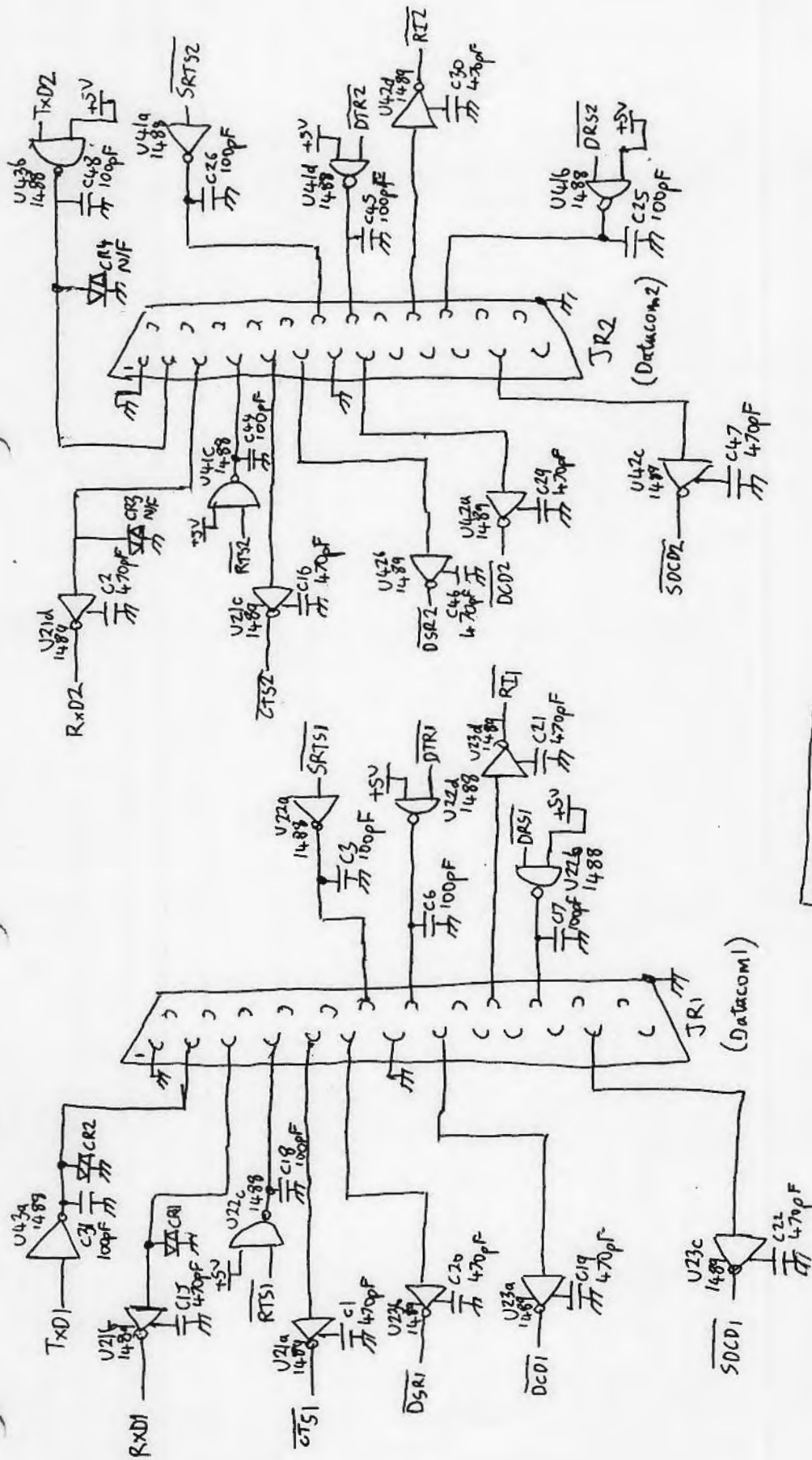






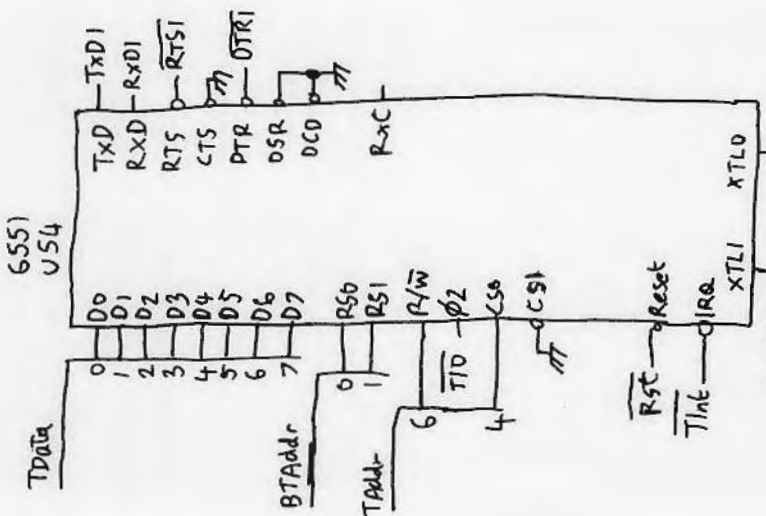
RAM Timing



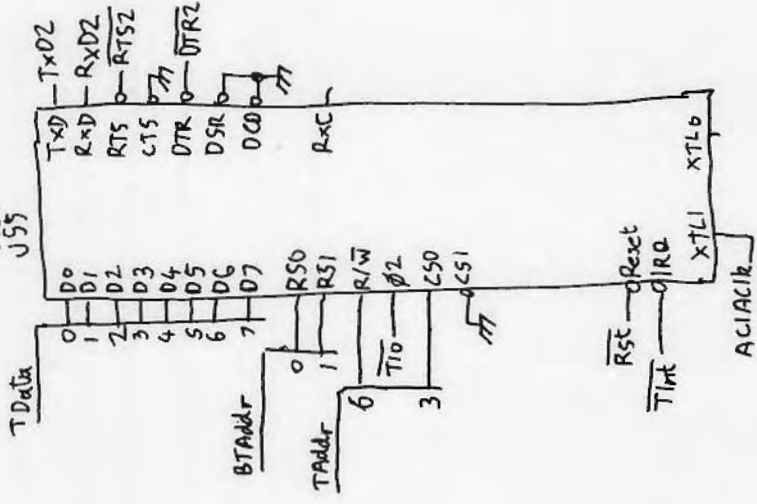


RS232 Ports

6551
U54

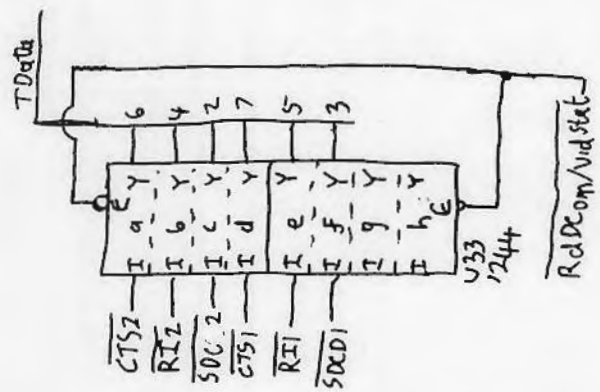
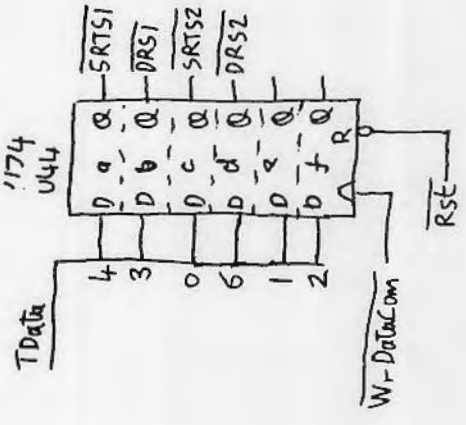


6551
U55

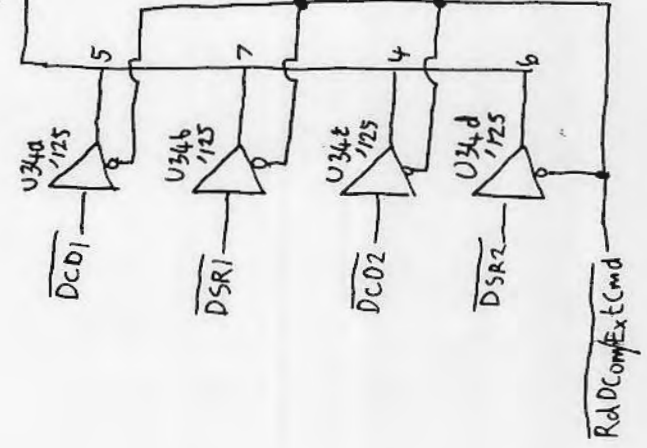


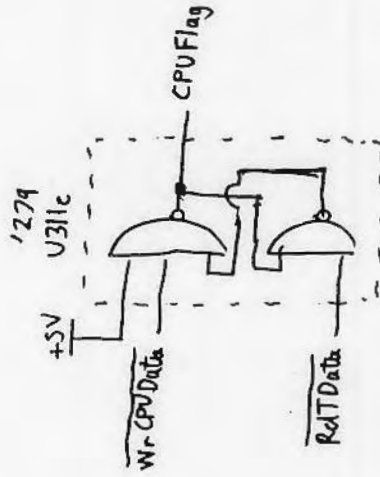
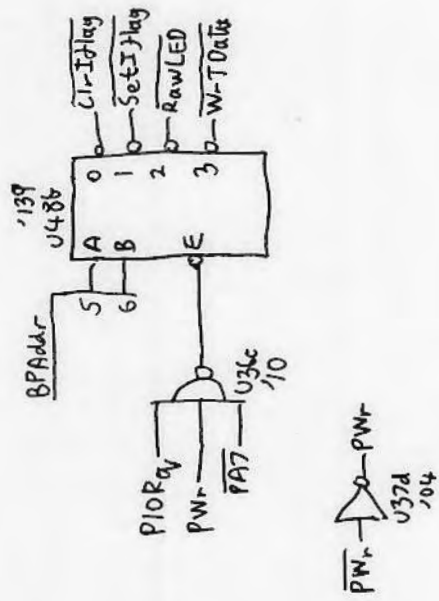
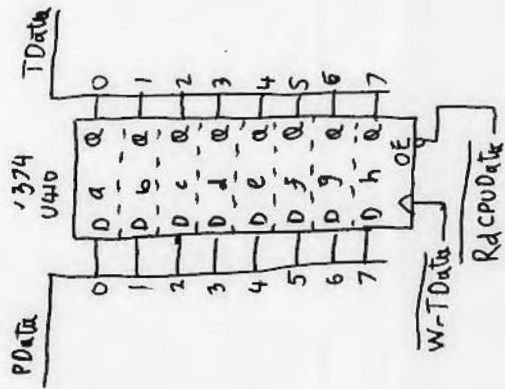
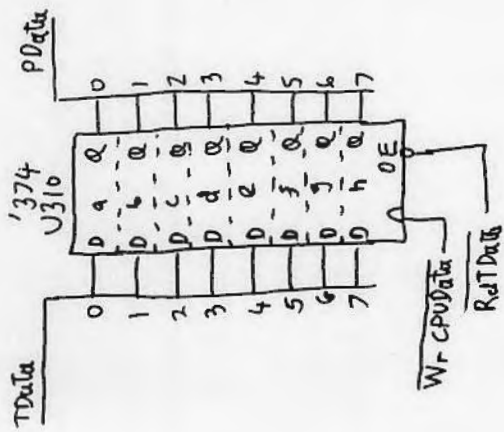
Serial Ports

'174
U44

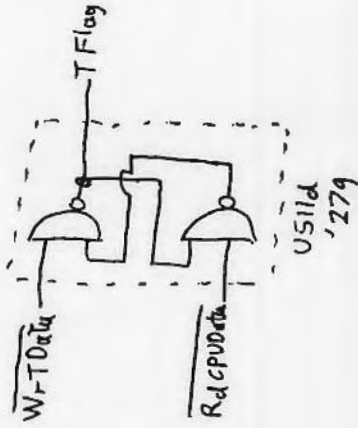
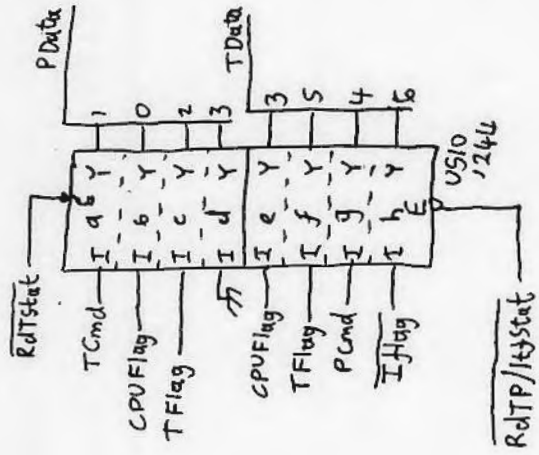


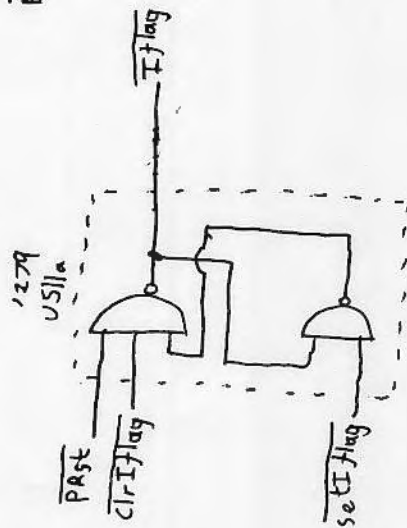
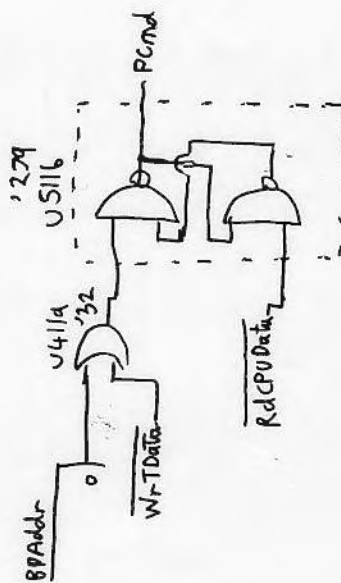
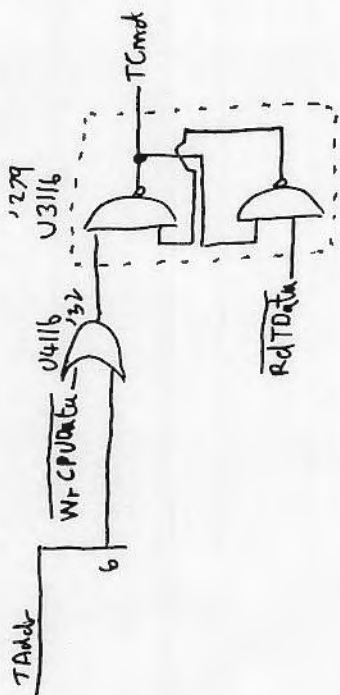
TData



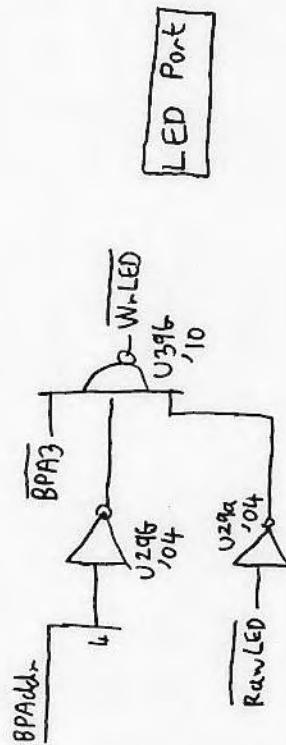
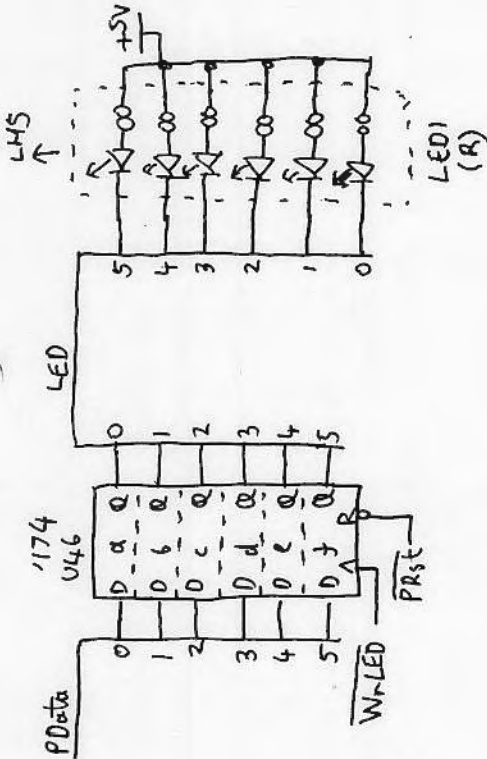


Interprocessor
Communication

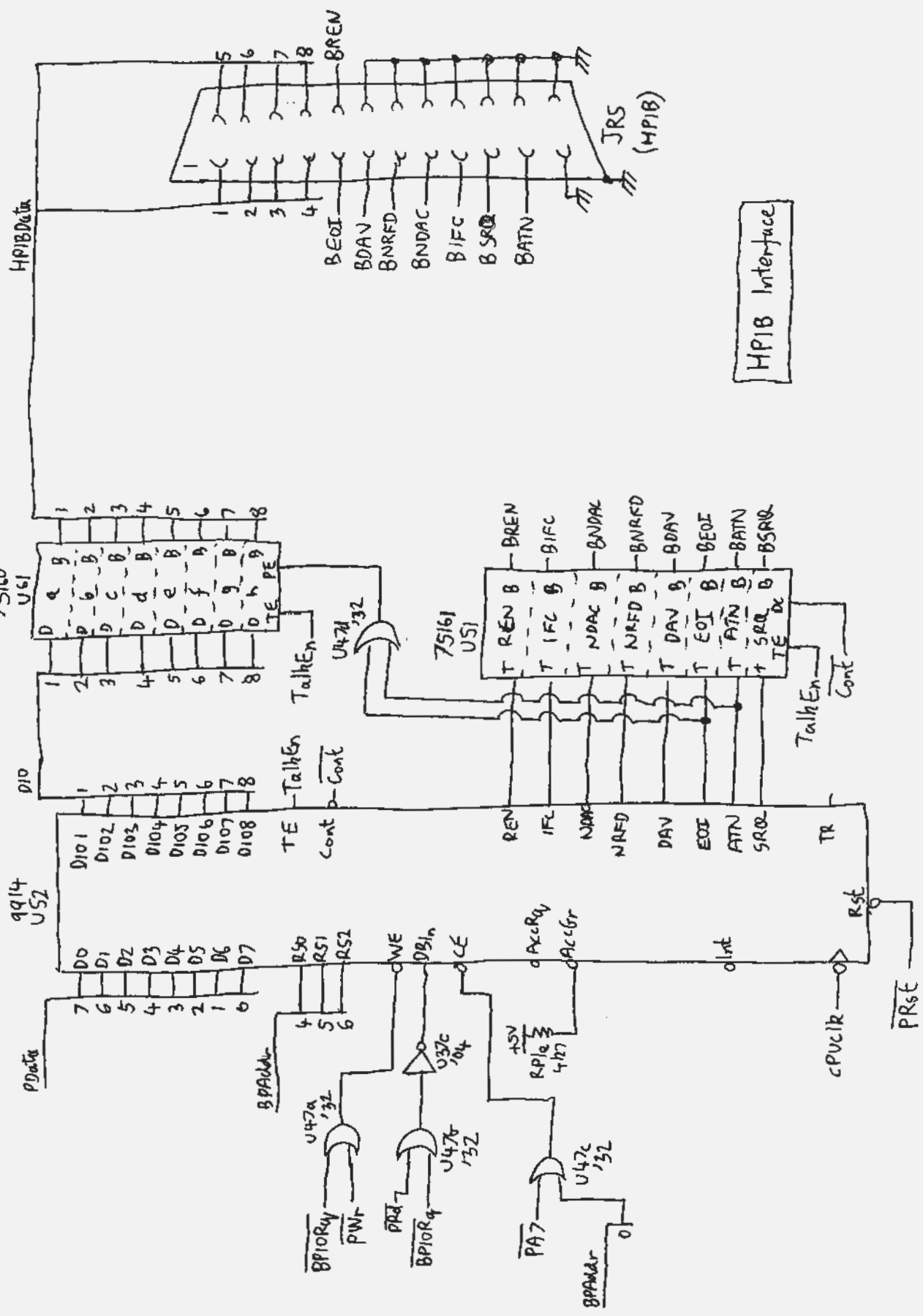




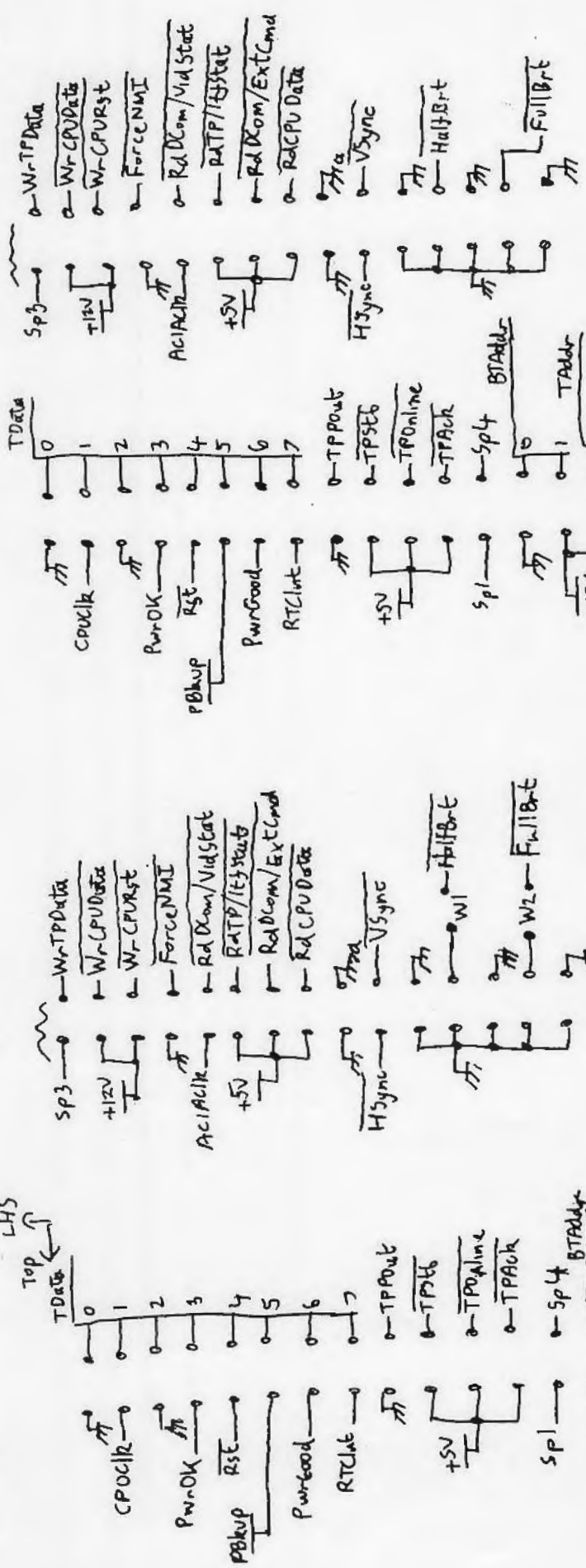
Interprocessor flags



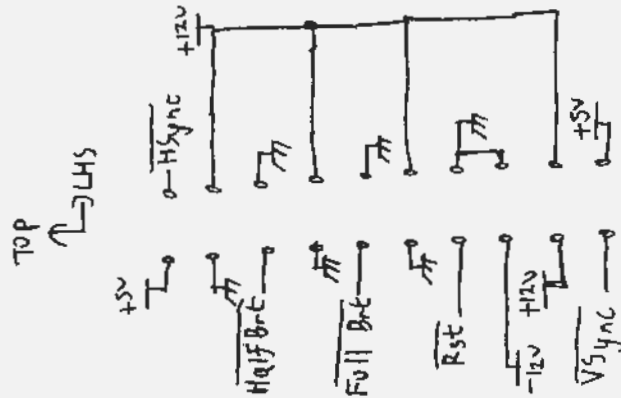
LED Port



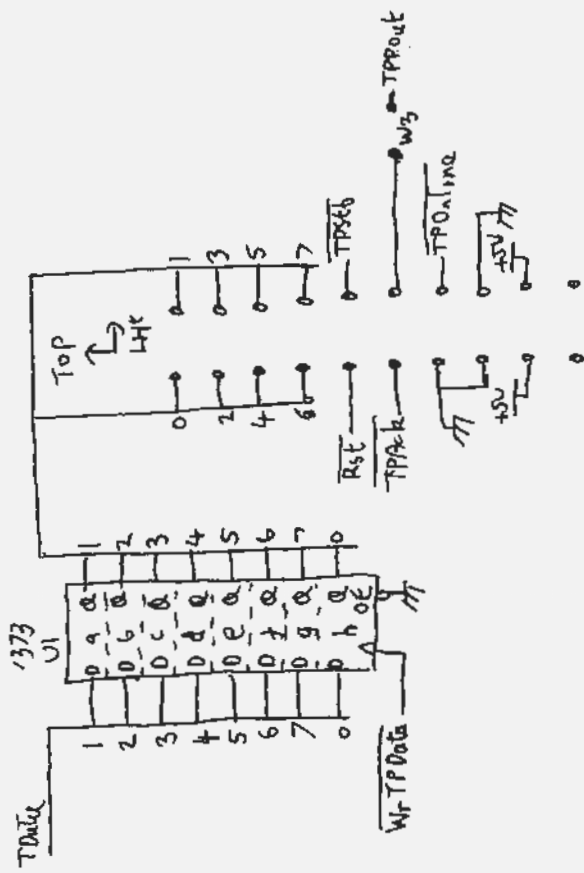
LHS



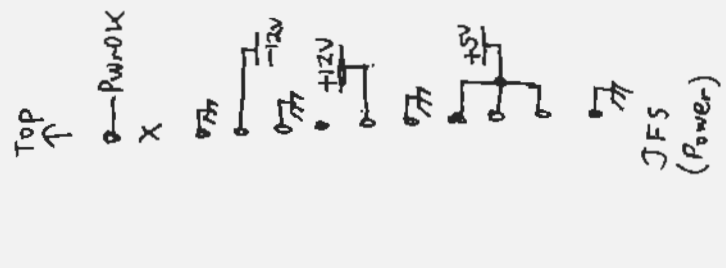
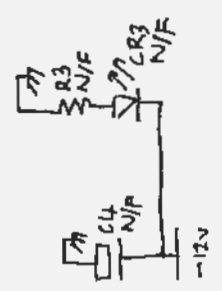
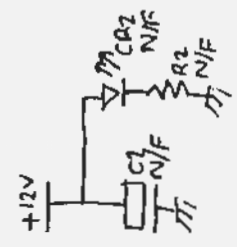
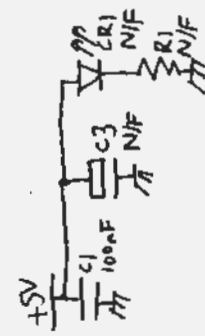
Logic PCB Connectors



JF3
(Video)
Video Monitor
PCB Connector

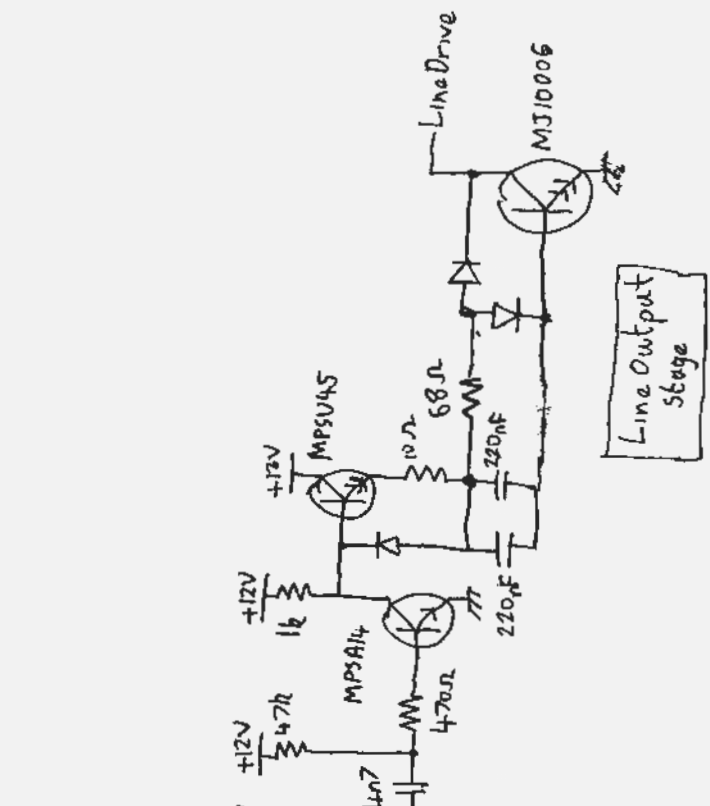
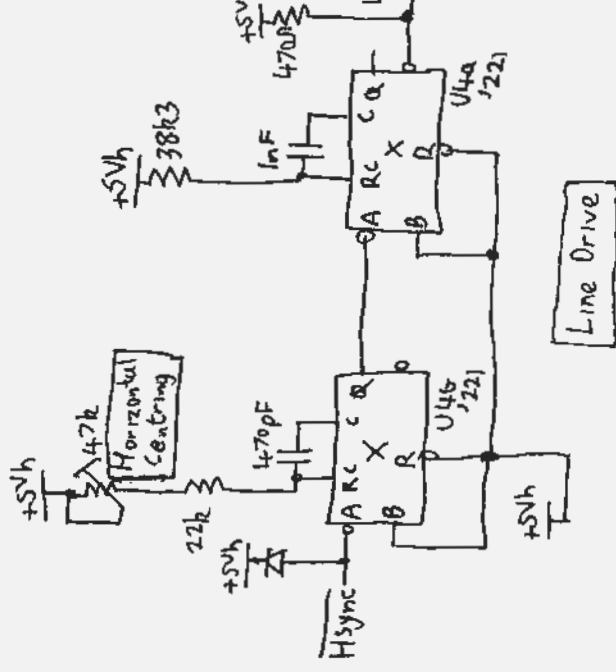
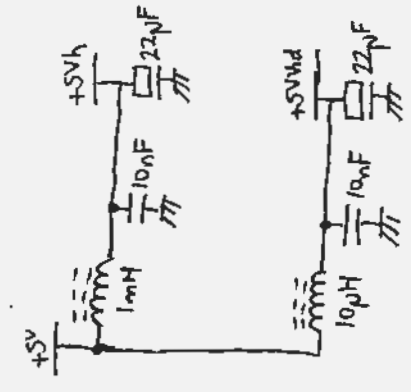
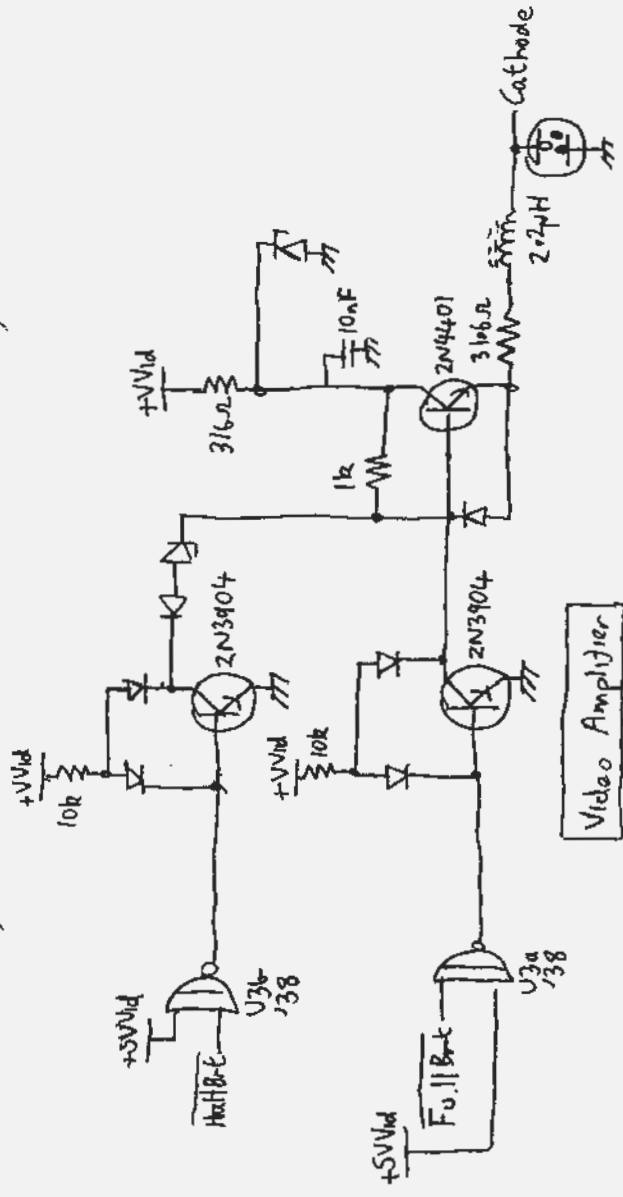
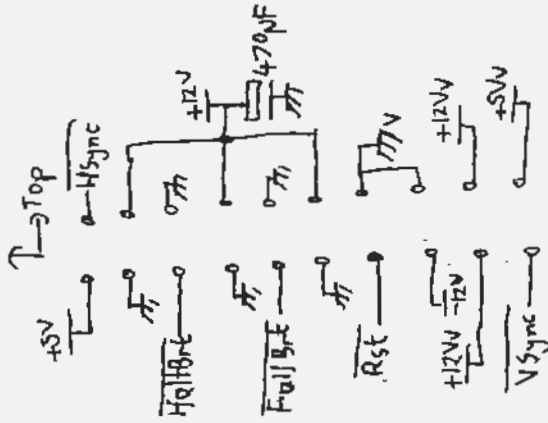


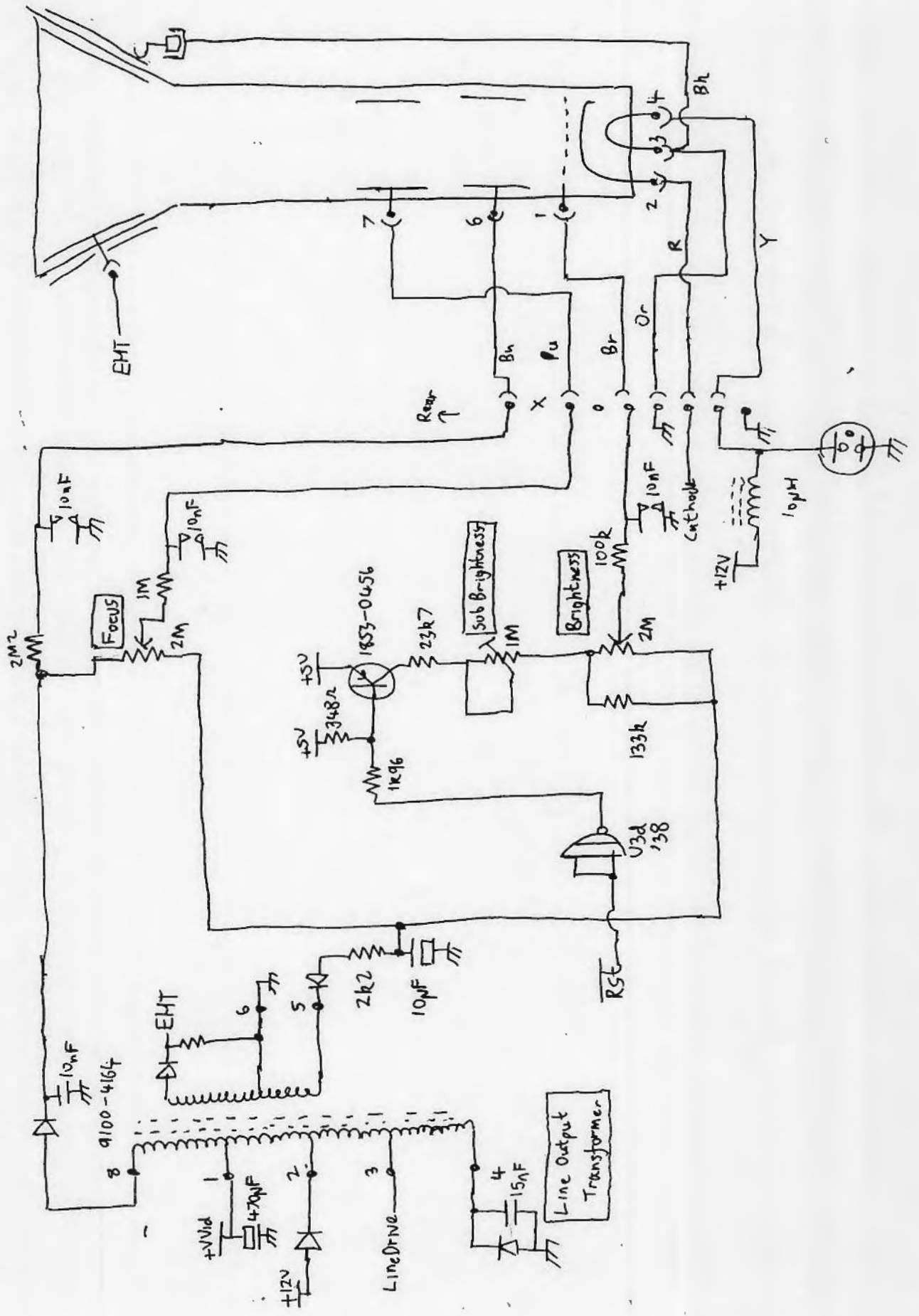
JF4
(Printer)
Thermal Printer Interface

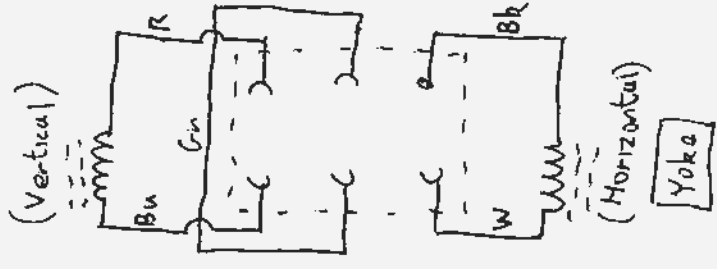
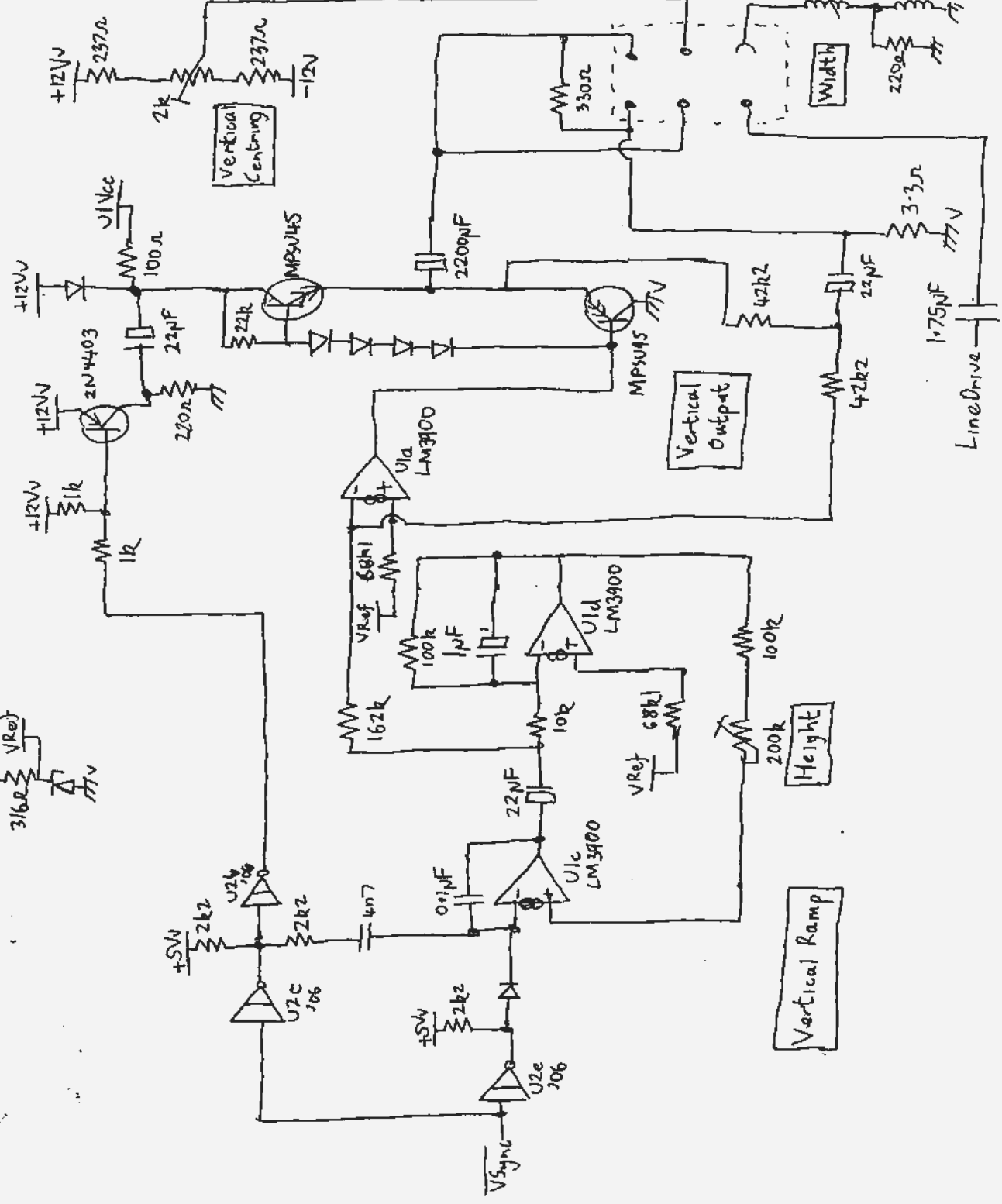
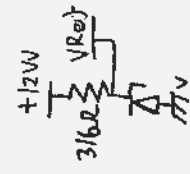


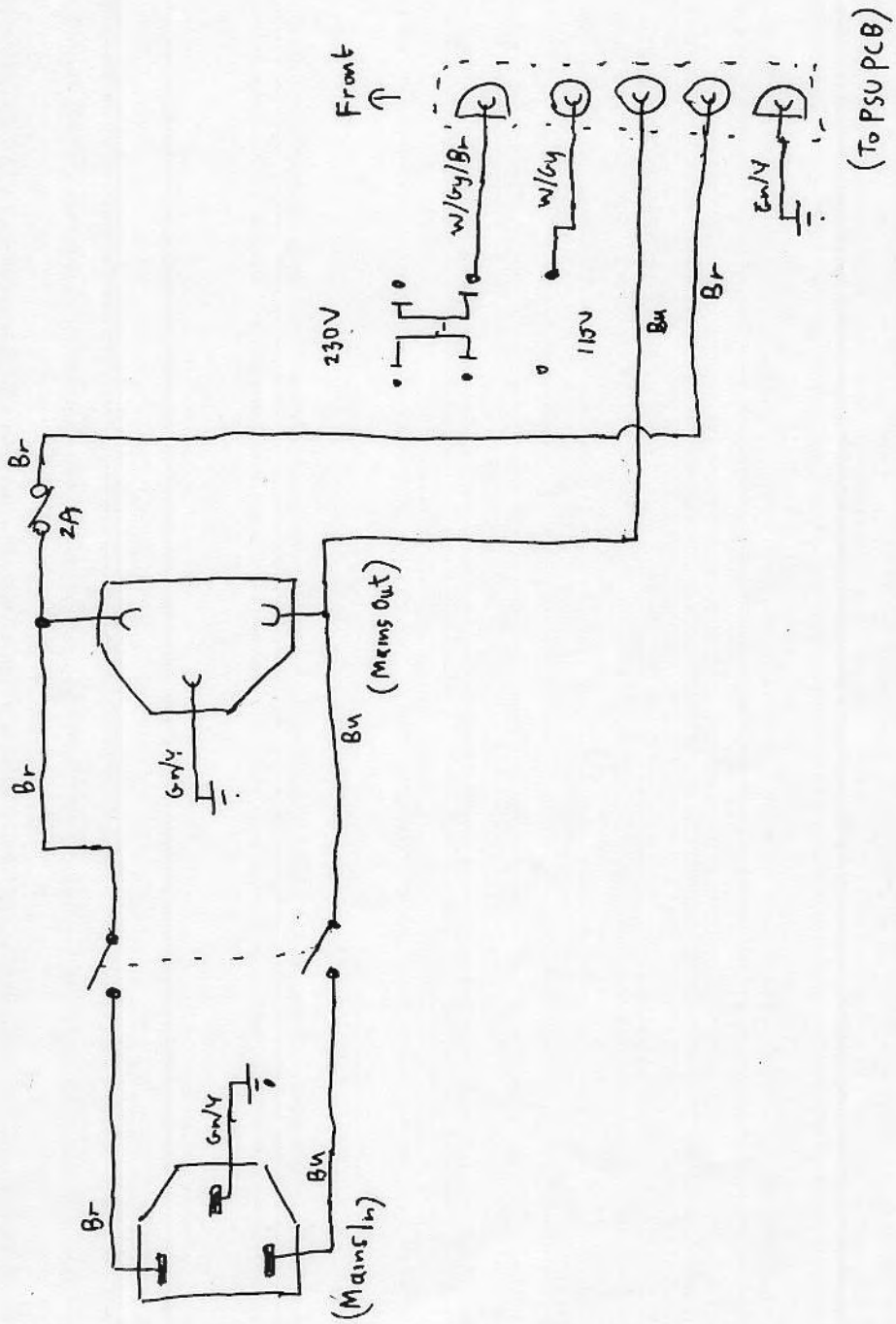
JF5
(Power)
PSU Connector

Rear

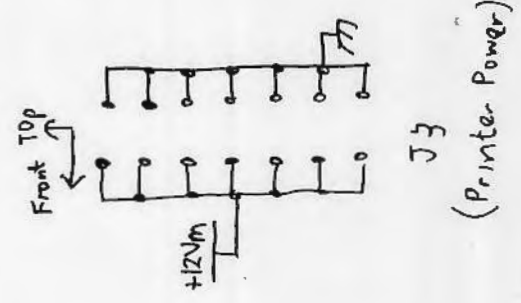
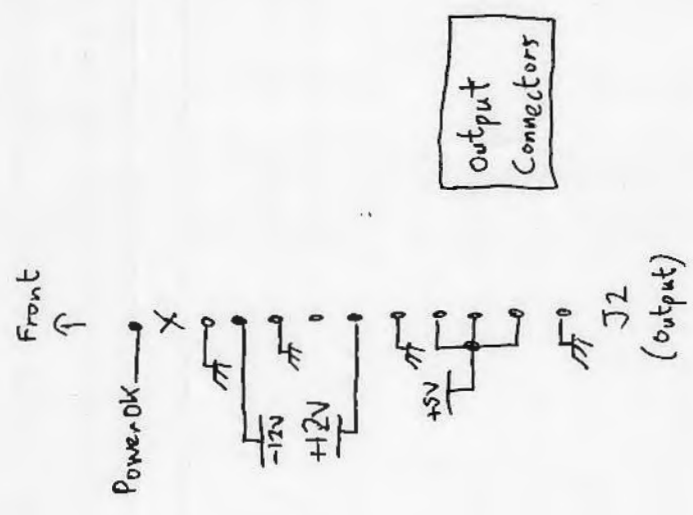
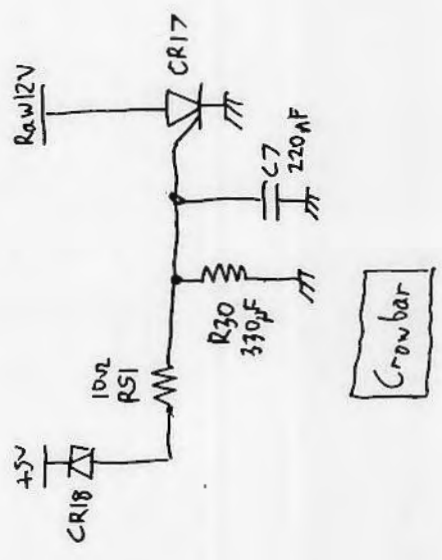
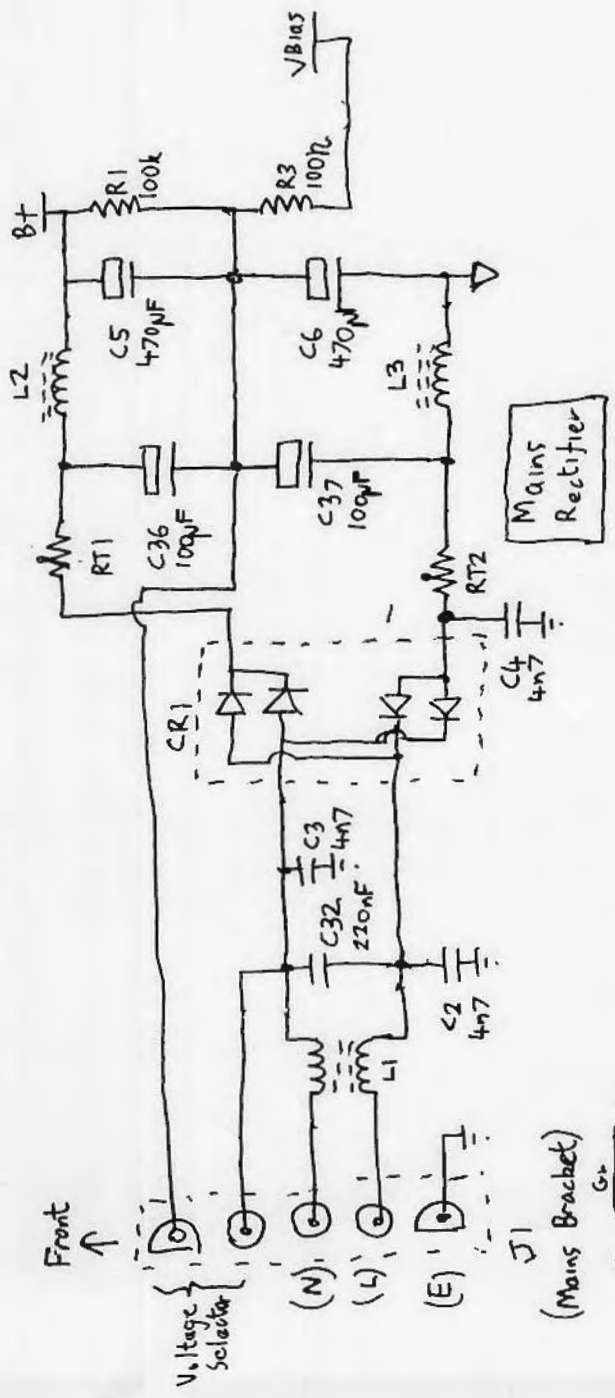


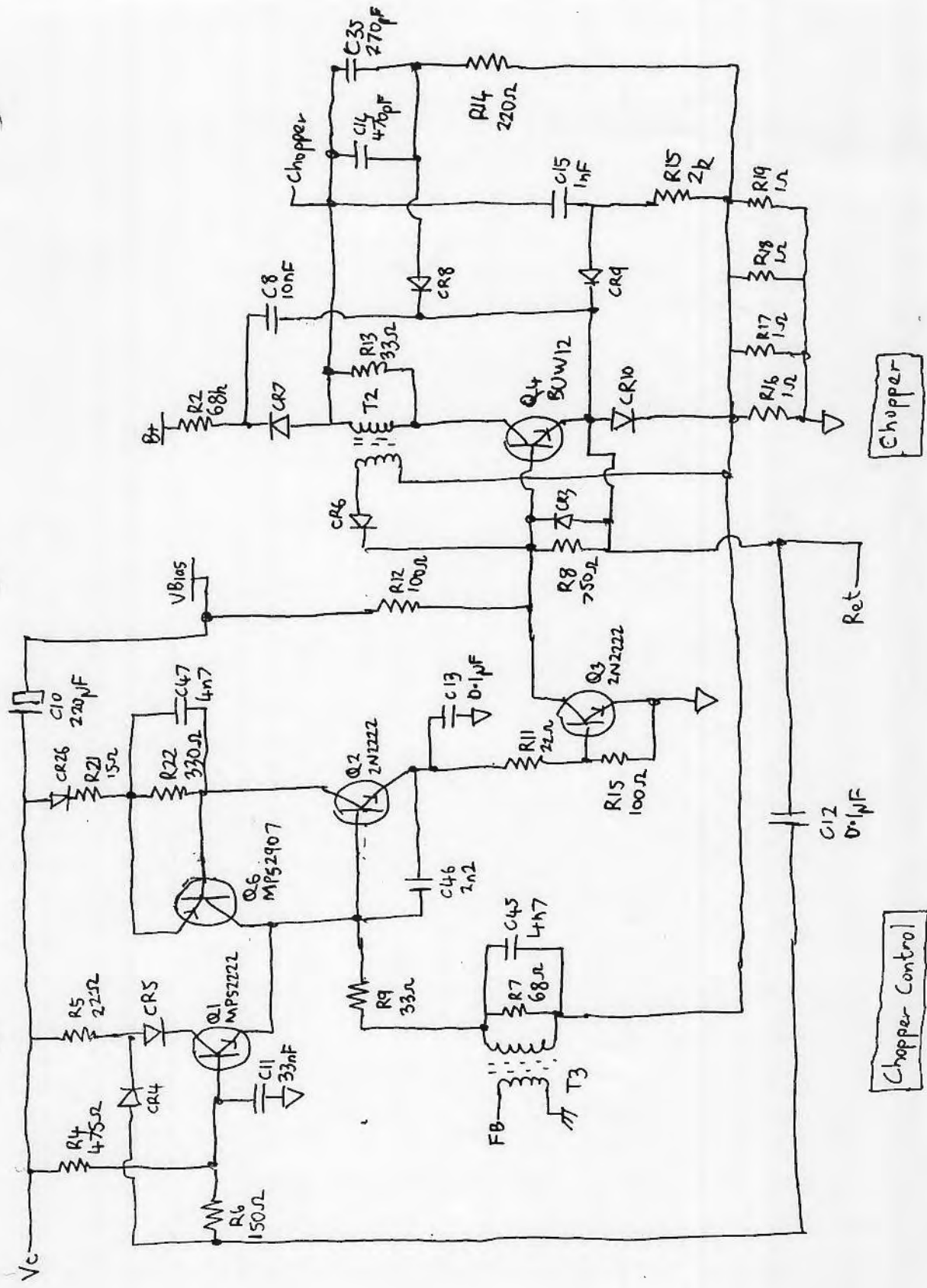


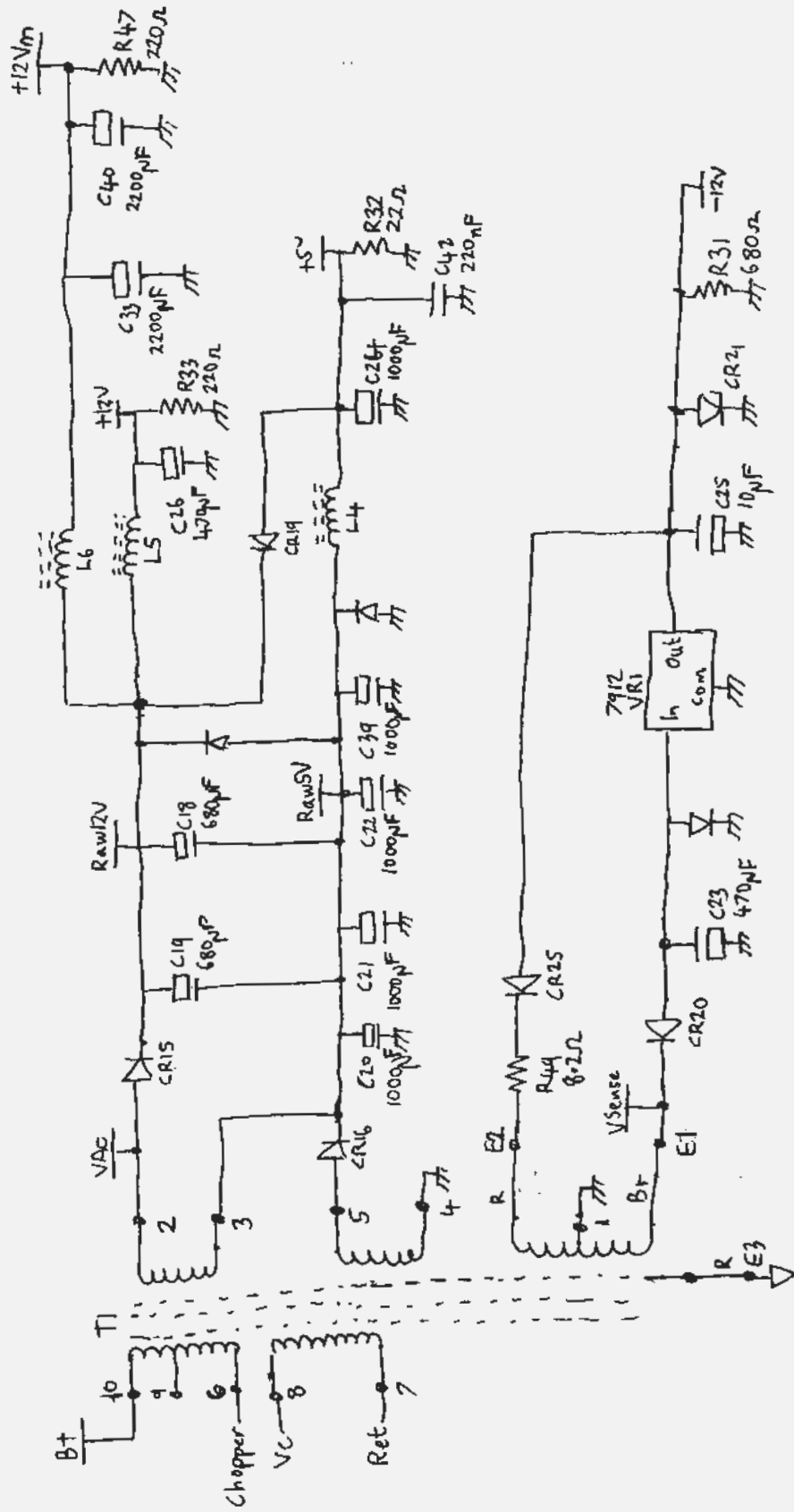




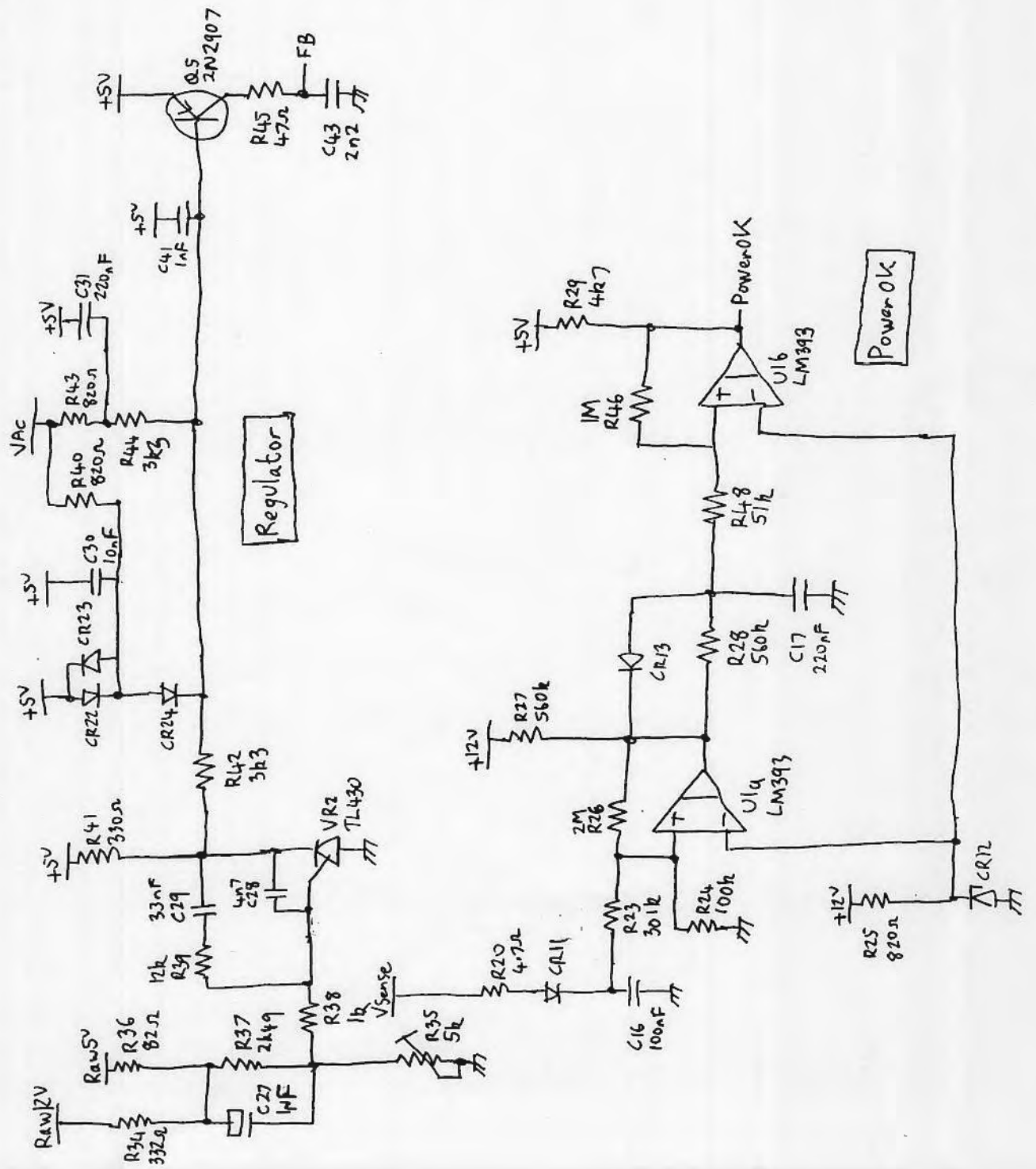
HP120 Mains Input Bracket

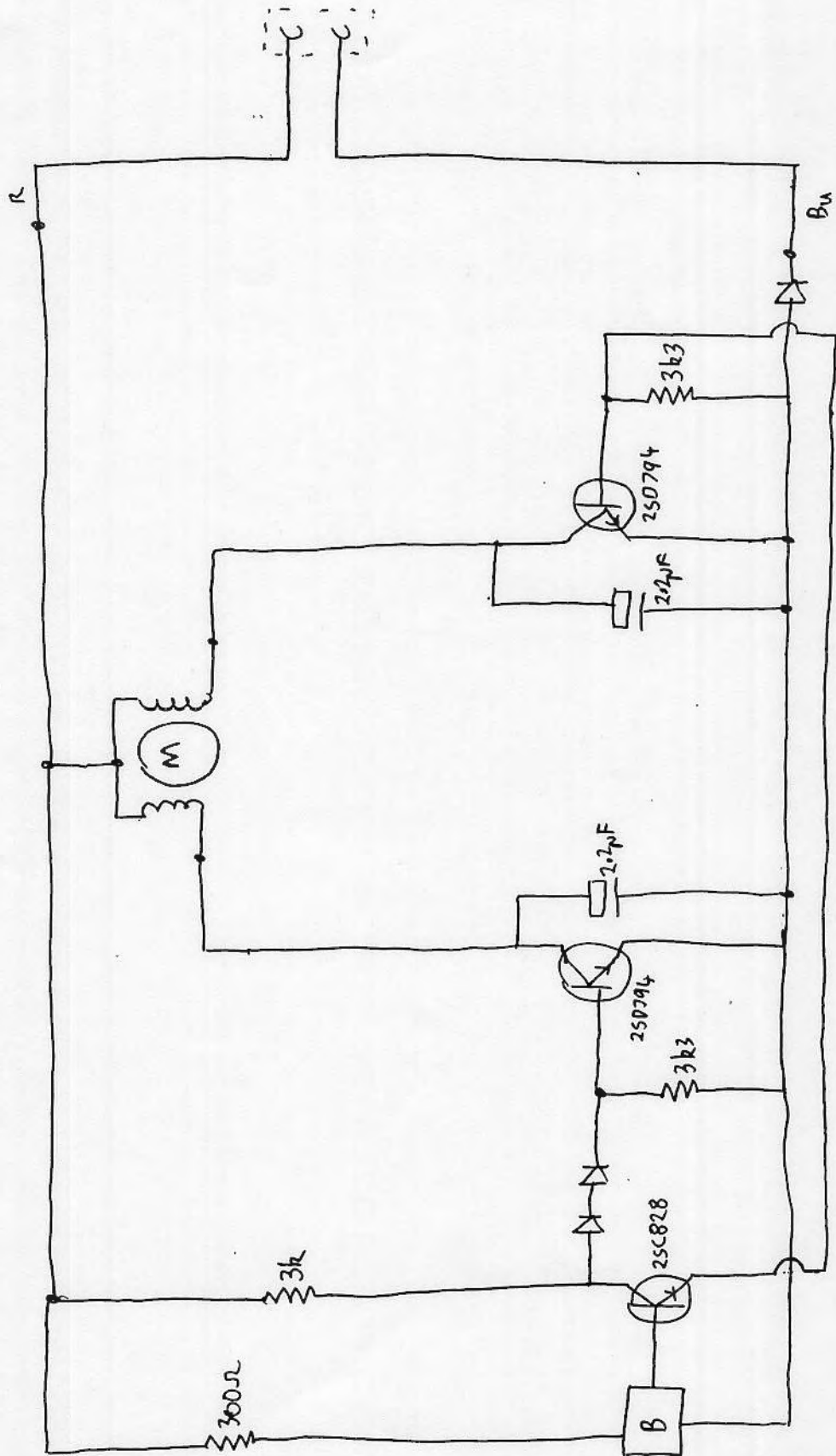






Output Rectifiers





HP120 Fan (Panaflo)